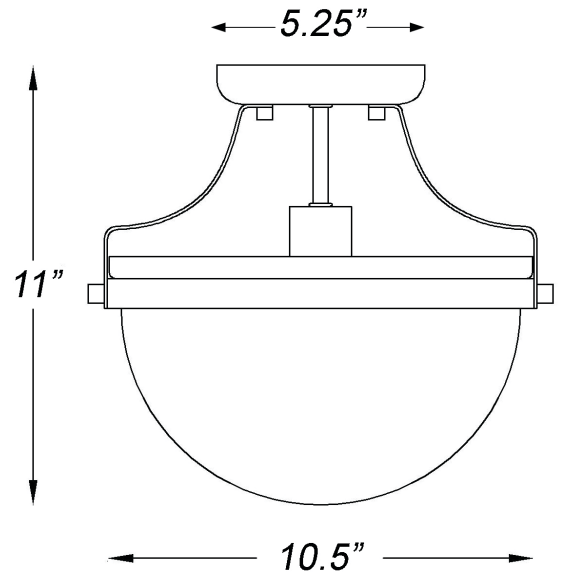


IN60099ORB

QUINN 1-LIGHT FLUSH MOUNT



| | |
|-----------------------|---------------------------|
| Description: | Quinn 1-light flush mount |
| Finish: | Oil-rubbed bronze |
| Dimensions: | 10.5" dia. x 11" H |
| Bulbs: | 1-100w Med. |
| Certification: | UL / damp location |
| Material: | Steel |

| | |
|-----------------------------|---|
| Shade: | Glass |
| Glass: | Clear wavy |
| Canopy Dimensions: | 5.25" dia. |
| Chain/Wire: | NA |
| Additional Finishes: | Polished nickel. matte black, antique brass |