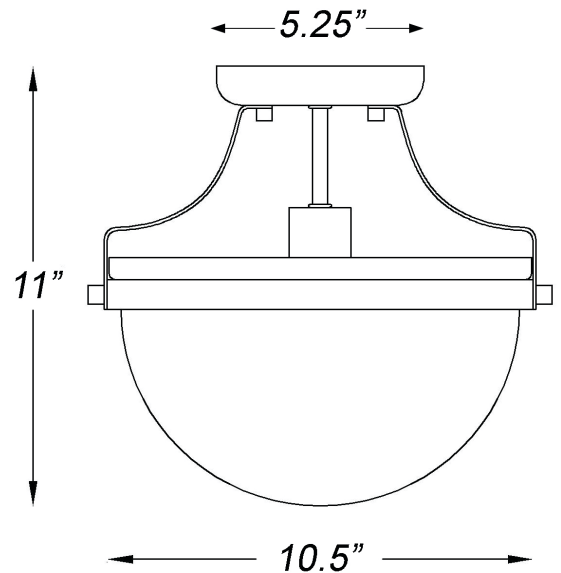


# IN60099BK

## QUINN 1-LIGHT FLUSH MOUNT



<b>Description:</b>	Quinn 1-light flush mount
<b>Finish:</b>	Matte black
<b>Dimensions:</b>	10.5" dia. x 11" H
<b>Bulbs:</b>	1-100w Med.
<b>Certification:</b>	UL / damp location
<b>Material:</b>	Steel

<b>Shade:</b>	Glass
<b>Glass:</b>	Clear wavy
<b>Canopy Dimensions:</b>	5.25" dia.
<b>Chain/Wire:</b>	NA
<b>Additional Finishes:</b>	Polished nickel. oil-rubbed bronze, antique brass