

IN60099

INSTALLATION INSTRUCTIONS

Please read carefully and save these instructions, as you may need them at a later date.

CAUTION

WARNING: Risk of Fire. Consult a qualified electrician to ensure correct branch circuit conductor. Min 90°C supply conductors.

Turn off the main power at the circuit breaker before installing the fixture, in order to prevent possible shock.

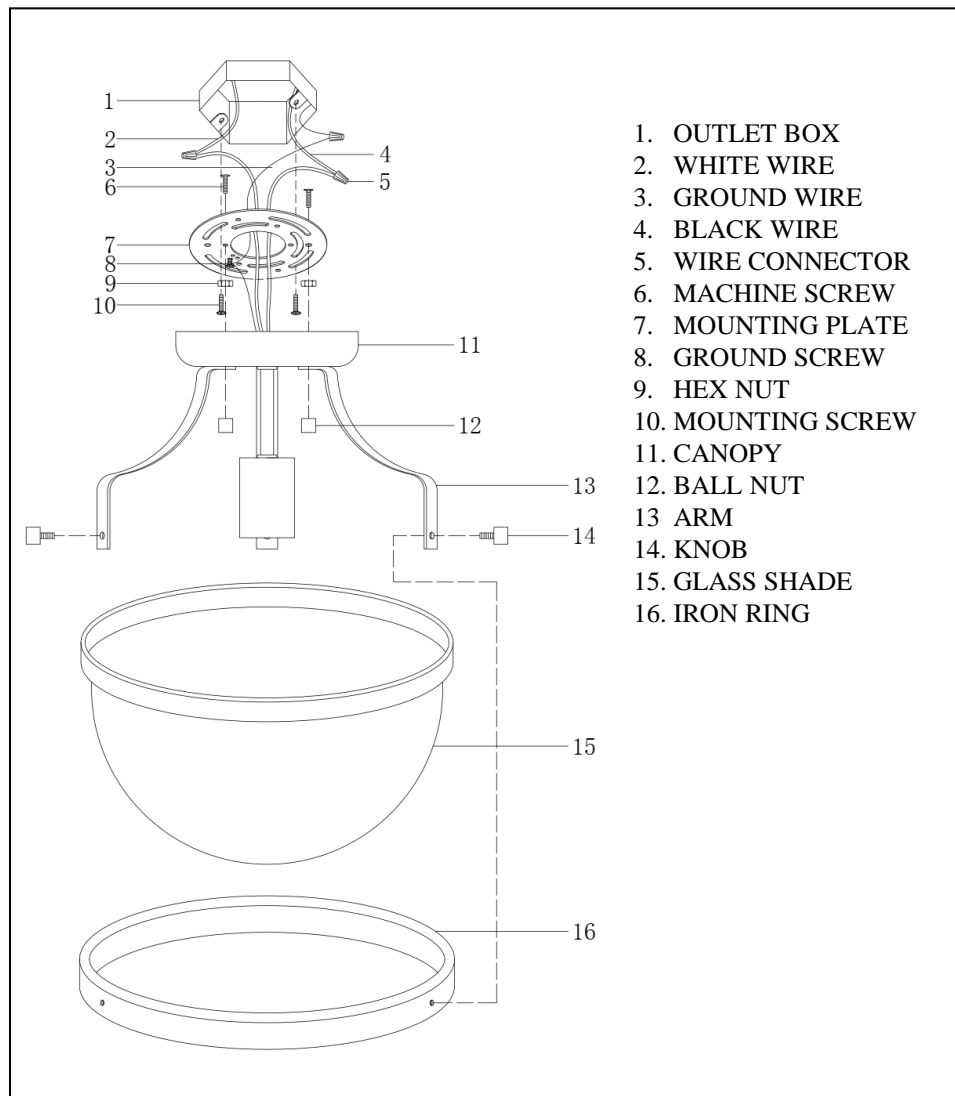
GENERAL

All electrical connections must be in accordance with local and National Electrical Code (N.E.C.) standards. If you are unfamiliar with proper electrical wiring connections obtain the services of a qualified electrician.

Remove the fixture and the mounting package from the box and make sure that no parts are missing by referencing the illustrations on the installation instructions.

ASSEMBLY AND INSTALLATION

1. Thread two machine screws (6) through the mounting plate (7) and secure with the hex nut (9).
2. Secure the mounting plate (7) to the outlet box (1) with mounting screw (10).
3. Pull out the outlet wire and ground wire from the outlet box (1). Make wire connections.
 - Ribbed wire (w/o marking) from light to White wire (2) from power source.
 - Smooth wire (w/o marking) from light to Black wire (4) from power source.
 - Loop the ground wire (3) to mounting plate (7) with a ground screw (8).
4. Raise the canopy (11) against the outlet box (1), and secure with the ball nut (12).
5. Install bulbs: (bulbs not included)
(Do not exceed the maximum capacity recommended on the sockets).
6. Slide glass shade (15) into iron ring (16) and arm (13) and secure with the knob (14).



1. OUTLET BOX
2. WHITE WIRE
3. GROUND WIRE
4. BLACK WIRE
5. WIRE CONNECTOR
6. MACHINE SCREW
7. MOUNTING PLATE
8. GROUND SCREW
9. HEX NUT
10. MOUNTING SCREW
11. CANOPY
12. BALL NUT
13. ARM
14. KNOB
15. GLASS SHADE
16. IRON RING

INSTALLATION IS NOW COMPLETE