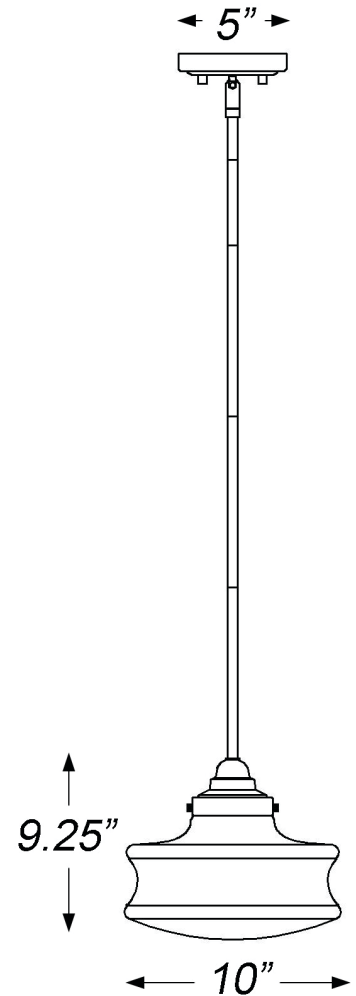
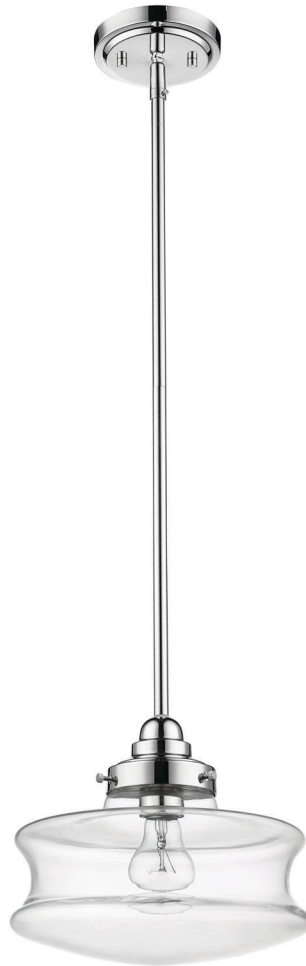
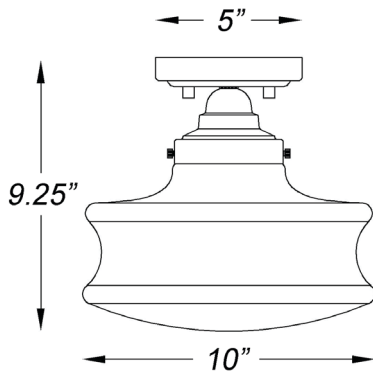


# IN20070PN

## KEAL 1-LIGHT PENDANT

can convert to flushmount



<b>Description:</b>	Keal 1-light pendant
<b>Finish:</b>	Polished nickel
<b>Dimensions:</b>	10" dia. x 9.25" H
<b>Bulbs:</b>	1-60w Med.
<b>Certification:</b>	UL / damp location
<b>Material:</b>	Steel

<b>Shade:</b>	Glass
<b>Glass:</b>	Clear
<b>Canopy Dimensions:</b>	5" dia.
<b>Chain/Wire:</b>	12' wire
<b>Stems:</b>	3-12", 1-6", 1-3"
<b>Additional Finishes:</b>	Antique Brass