



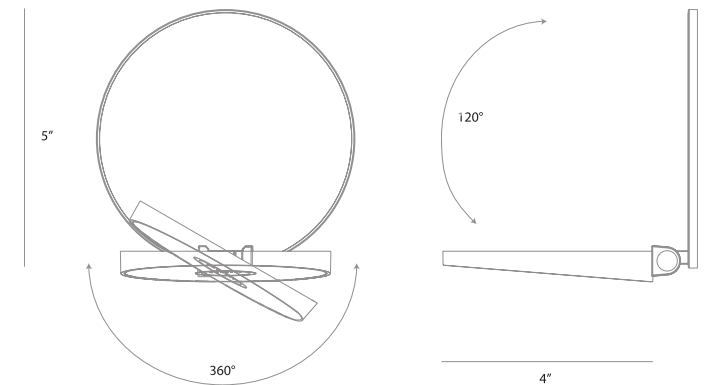
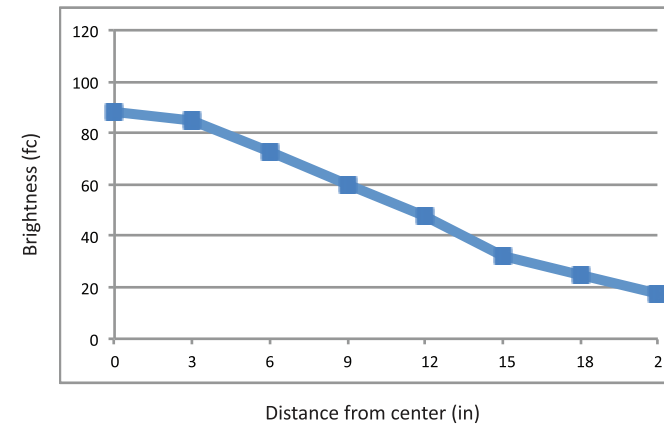
KONCEPT



Lumens: 350
 Energy Consumption: 5.5Watts
 Rated Lifespan: 50,000 hours
 Color Temperature: 2,700K
 CRI: PI = 83, HW = 94
 Wall Switch (hardwired): Compatible with any ELV wall dimmer and any 0-10V wall dimmer.
 Dimmer: Built-in touch dimmer switch
 Brightness Adjustability: Continuous Dimming
 Standard Finishes: Matte White, Silver, Chrome, Metallic Black, Oiled Walnut, White Oak, Matte Orange, Matte Red, Matte Yellow, Matte Hot Pink, Matte Blue, Matte Green, Oxford Felt, Honeydew Felt, Azure Felt
 Material: Zinc alloy, plastic
 California Title 24

- GRW-S-
- MWT = Matte White
 - SIL = Silver
 - CRM = Chrome
 - MBK = Metallic Black
- HW = Hardwired
 - PI = Plugged in
- MWT = Matte White
 - SIL = Silver
 - CRM = Chrome
 - MBK = Metallic Black
 - OWT = Oiled Walnut
 - WOK = White Oak
 - MOR = Matte Orange
 - MRD = Matte Red
 - MYW = Matte Yellow
 - MHP = Matte Hot Pink
 - MBL = Matte Blue
 - MGN = Matte Green
 - OXF = Oxford (Felt)
 - HDF = Honeydew (Felt)
 - AZF = Azure (Felt)

Light source placed at 15" away from worksurface



Spark Awards 2015 Gold Winner
iF Design Award 2016

Designer
Kenneth Ng & Edmund Ng

The Gravy wall sconce maintains its creative, customizable, and contemporary aesthetic while remaining efficient, multi-purpose, and fully-functional. Gravy's swiveling head turns 360 degrees and can bend forward to be used as an ambient light or a direct task light by shining downward. The light can be operated by a wall switch or by touching the center of the LED head and holding it to dim the brightness. Go with the plug-in version, or choose the hardwired option for new installations. Surface plates on the Gravy are customizable, enabling users to select painted finishes, wood veneers, or fabric to match their interior space.

Potential LEED Points:

Energy & Atmosphere (EA)
Credit 1.1: Optimize Energy Performance
 LED lighting to reduce energy consumption.
 (Potential points: 3)

All color finishes use water-based paint
LEDs do not contain mercury

Innovation In Design (ID)
Credit 1.1 - 1.4: Innovation in Design
 The head swivels a full 360 degrees giving the user full control in where the light shines. Shine it up for ambient lighting, or down as a task light. The LED head can be detached from the main body for easy warranty service. The light can be controlled at its head or by a wall dimmer. Also, the customizable surfaces would bring flexibility to users to create their own unique look. All these ideas are very unique to Gravy, additionally, the head swiveling and detachable joint mechanism with no external wires is a patented invention.
 (Potential points: 4)

