

TEAR SHEET



Longacre Small Table Lamp

Item # TOB 3000PN-NP

Designer: Thomas O'Brien

Height: 16"

Width: 9"

Base: 5" Round

Finishes: BZ, HAB, PN

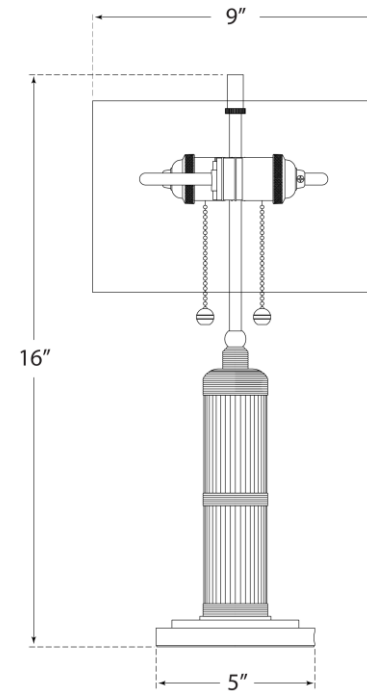
Shade Treatments: L, NP

Shade Details: 9" x 9" x 6"

Socket: 2 - E26 Pull Chain

Wattage: 2 - 25 B11

Weight: 6 Pounds



TOB3000