

GRIFFIN 61" CAST IRON SLIPPER TUB

Cat. No.
CTSN60



L: 61- $\frac{1}{4}$ "
W: 30- $\frac{1}{4}$ "
H: 21- $\frac{1}{2}$ " & 31" (from floor to top of tub)
15- $\frac{1}{2}$ " & 23- $\frac{3}{4}$ " (from bottom of tub to top of tub)

The following is recommended for CTSN60 tubs without deck holes:

- Faucets: part #4602, 7393 or 7410
- Rigid, freestanding supplies: part #4502
- Leg tub drain: part #5599

Gallon Capacity: 43
Shipping Weight: 500 lbs.
Empty Weight: 300 lbs.
Filled Weight: 679 lbs.

Features:

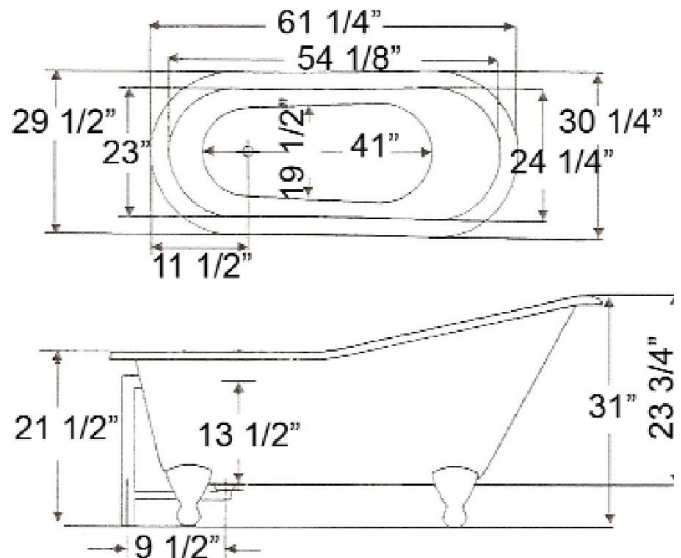
- ▶ Inside finish is white enamel
- ▶ Cast Iron ball and claw feet
- ▶ Tub exterior is white (epoxy)
- ▶ No faucet holes with tap deck
- ▶ Non-skid strips
- ▶ Feet are attached and leveled before shipment



Foot Finishes:

- | | |
|---------------------------|------------------------------|
| BL Black | ORB Oil-rubbed Bronze |
| BQ Bisque | PB Polished Brass |
| CP Polished Chrome | SN Brushed Nickel |
| PN Polished Nickel | WH White |

Custom Colors Available (inside of tub is always white enamel):
Painted bathtubs are considered "special order" and are not returnable
\$160 Bisque or Black \$250 Designer Color



Dimensions of fixture are nominal and may vary within the range of tolerances established by ANSI Standard A112.19.1M. Dimensions and specifications subject to change without notice.

TUB WALL MOUNT FILLER WITH HANDSHOWER

Cat. No.
4602



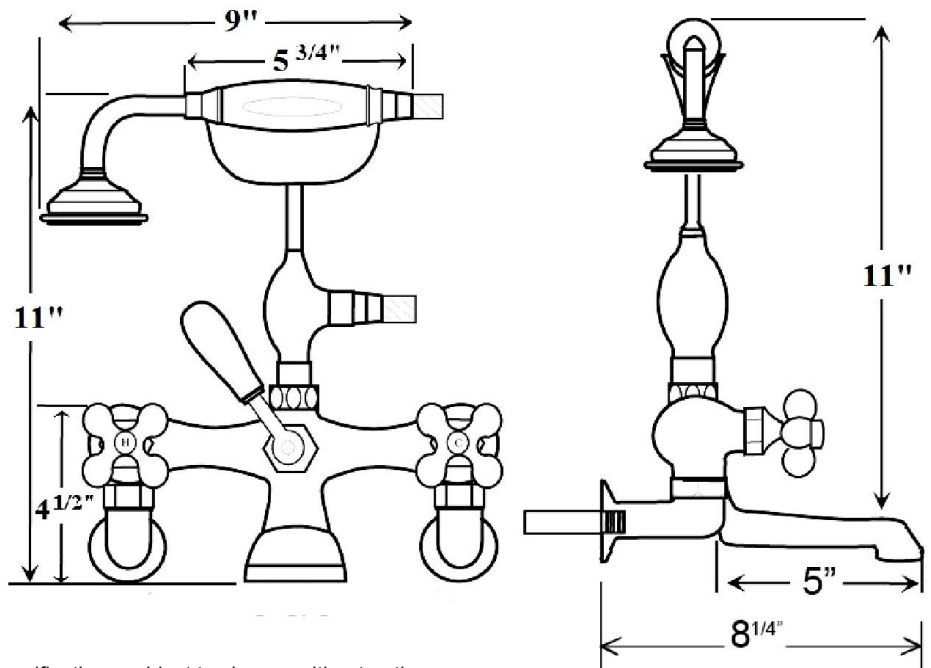
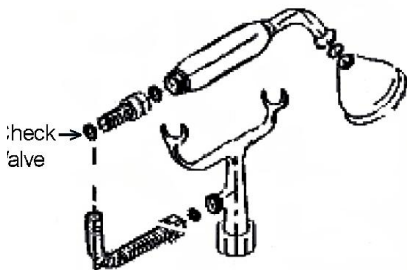
Adjustable Swivel Mounts

Features:

- ▶ Brass construction
- ▶ Elephant spout length is 5"
- ▶ Spout flow rate is 3.70 GPM
- ▶ Available with porcelain lever (**4602-PL**) or metal cross handles (**4602-MC**)
- ▶ Telephone handshower with cradle and hose
- ▶ Handshower flow rate 2.5 GPM
- ▶ Handshower includes backflow preventer
- ▶ Swivel mounts adjust centers from 3" to 12"
- ▶ Faucet centers are 7" without swivel mounts
- ▶ For tub wall mount installation
- ▶ ¼ turn ceramic disc cartridges
- ▶ To be used with double offset bath supplies, **Part #5576**
- ▶ This faucet can also be used with rigid freestanding supplies, **Part #4502** with adjustable swivel mounts removed

Finishes:

BP Polished Brass	SN Brushed Nickel
CP Polished Chrome	PN Polished Nickel
ORB Oil Rubbed Bronze	



Dimensions are nominal and may vary. Dimensions and specifications subject to change without notice.

FREESTANDING BATH SUPPLIES

Cat. No.
4502-PL



Features:

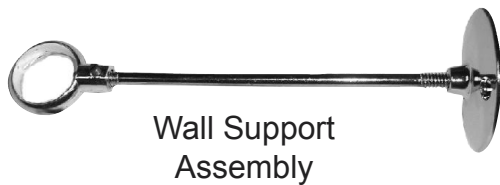
- ▶ 5" Shaft included
- ▶ Stops included
- ▶ 1/2" Pipe thread inlet
- ▶ 3/4" Flare outlet
- ▶ Wall support assemblies included
- ▶ Porcelain lever handles
- ▶ 0.800" Outer diameter
- ▶ 0.595" Inner diameter
- ▶ 0.090" Thickness of wall
- ▶ Available in 5 finishes

Finishes:

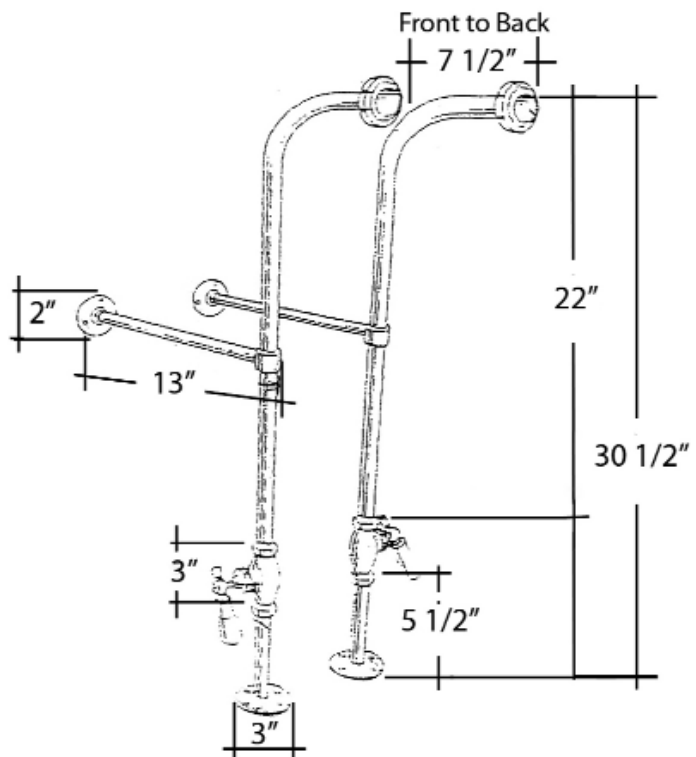
CP	Polished Chrome	PN	Polished Nickel
BP	Polished Brass	ORB	Oil Rubbed Bronze
SN	Brushed Nickel		

H: 30" (30 1/2" with nut)

OD: 1/2"



Wall Support
Assembly



Use on concrete floors requires special installation. We recommend using a plumbing professional.

Dimensions are nominal and may vary. Dimensions and specifications subject to change without notice.

LEG TUB DRAIN

Cat. No.
5599



Escutcheon Height: 1-1/4"

Features:

- ▶ Twist-and-lift stopper
- ▶ Includes deep escutcheon
- ▶ Height adjustable 15"-18"
- ▶ Depth adjustable 12"-14"
- ▶ Includes deep escutcheon
- ▶ Available in 5 Finishes

Finishes:

- CP Polished Chrome
- BP Polished Brass
- SN Brushed Nickel
- PN Polished Nickel
- ORB Oil Rubbed Bronze

#5599 Leg Tub Drain



Dimensions and specifications subject to change without notice.