

GRIFFIN 61" CAST IRON SLIPPER TUB

Cat. No.
CTSH60



L: 61- $\frac{1}{4}$ "
W: 30- $\frac{1}{4}$ "
H: 21- $\frac{1}{2}$ " & 31" (from floor to top of tub)
15- $\frac{1}{2}$ " & 23- $\frac{3}{4}$ " (from bottom of tub to top of tub)



The following is recommended for CTSH60 tubs with deck holes:

- Rim-mounted faucet: part #4601 or 7529
- Complete shower unit: part# 4063
- Straight bath supplies: part #5577
- Leg tub drain: part #5599

Do not use with rigid, freestanding supplies.

Gallon Capacity: 43
Shipping Weight: 500 lbs.
Empty Weight: 300 lbs.
Filled Weight: 679 lbs.

Features:

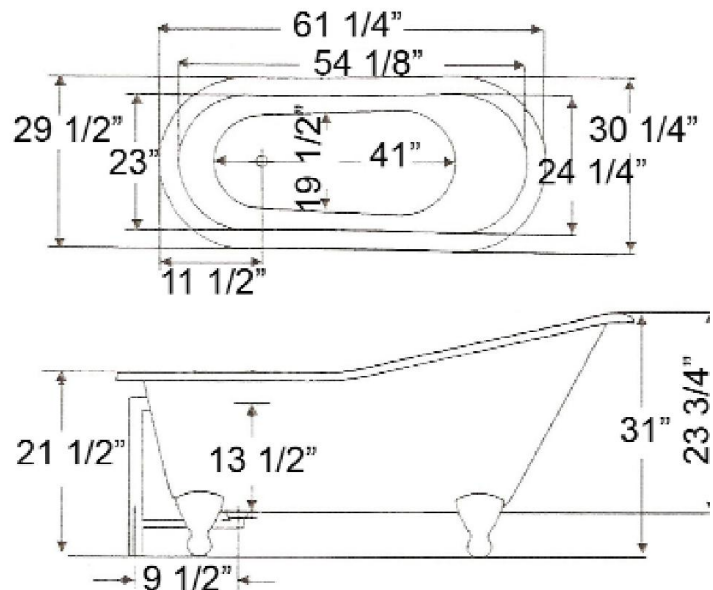
- ▶ Inside finish is white enamel
- ▶ Cast iron ball and claw
- ▶ Tub exterior is white (epoxy)
- ▶ 7" centers in tub deck
- ▶ Non-skid strips
- ▶ Feet attached and leveled before shipment
- ▶ Tub is thoroughly inspected before shipment



Foot Finishes:

- | | |
|--------------------|-----------------------|
| BL Black | PB Polished Brass |
| BQ Bisque | ORB Oil-rubbed Bronze |
| CP Polished Chrome | SN Brushed Nickel |
| PN Polished Nickel | WH White |

Custom Colors Available (inside of tub is always white enamel):
Painted bathtubs are considered "special order" and are not returnable
\$160 Bisque or Black \$250 Designer Color



Dimensions of fixture are nominal and may vary within the range of tolerances established by ANSI Standard A112.19.1M. Dimensions and specifications subject to change without notice.

TUB RIM MOUNT FILLER WITH HANDSHOWER

Cat. No.
4601



Features:

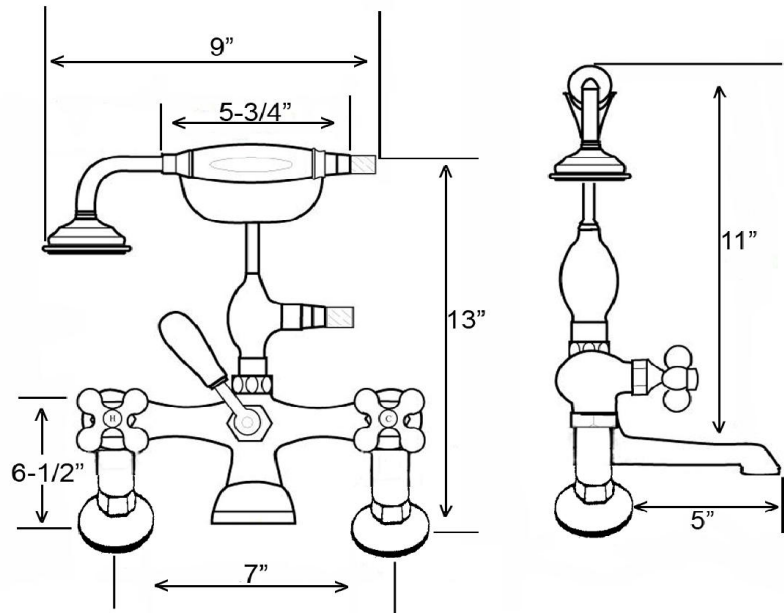
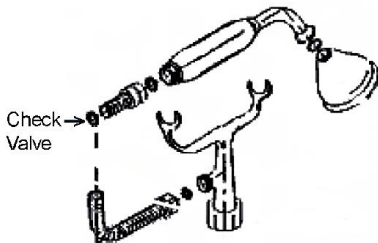
- ▶ Brass construction
- ▶ Elephant spout length is 5"
- ▶ Spout has flow rate is 3.70 GPM
- ▶ Available with porcelain lever (4601- PL) or metal cross lever handles (4601-MC)
- ▶ Telephone handshower with cradle and hose
- ▶ Handshower flow rate 2.5 GPM
- ▶ Handshower includes backflow preventer
- ▶ 6" Elbow mounts included
- ▶ 7" Centers for deck mounting on acrylic or cast iron tubs
- ▶ ¼ Turn ceramic disc cartridges
- ▶ To be used with straight bath supplies, **Part #5577**

Finishes:

BP Polished Brass	PN Polished Nickel
CP Polished Chrome	ORB Oil Rubbed Bronze
SN Brushed Nickel	



6" Elbow Mounts



Dimensions are nominal and may vary. Dimensions and specifications subject to change without notice.

STRAIGHT BATH SUPPLIES

Cat.No.

5577



H: 24"

OD: 1/2"

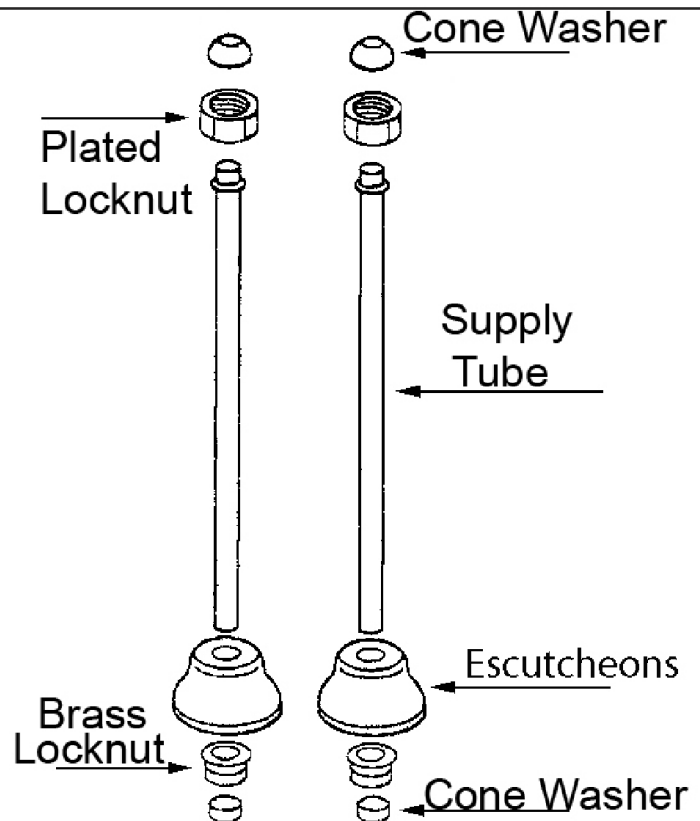
Features:

- ▶ For use with faucets mounted to the tub deck
- ▶ No stops
- ▶ 1/2" Compression inlet
- ▶ 3/4" Compression outlet
- ▶ Bottom flange 2 1/2" diameter
- ▶ 0.500" Outer diameter
- ▶ 0.400" Inner diameter
- ▶ 0.030" Thickness of the wall
- ▶ Available in 5 Finishes

Finishes:

CP Polished Chrome
BP Polished Brass
PN Polished Nickel

SN Brushed Nickel
ORB Oil Rubbed Bronze



Use on concrete floors requires special installation. We recommend using a plumbing professional.

Dimensions and specifications subject to change without notice.

LEG TUB DRAIN

Cat. No.
5599



Escutcheon Height: 1-1/4"

Features:

- ▶ Twist-and-lift stopper
- ▶ Includes deep escutcheon
- ▶ Height adjustable 15"-18"
- ▶ Depth adjustable 12"-14"
- ▶ Includes deep escutcheon
- ▶ Available in 5 Finishes

Finishes:

- CP Polished Chrome
- BP Polished Brass
- SN Brushed Nickel
- PN Polished Nickel
- ORB Oil Rubbed Bronze

#5599 Leg Tub Drain



Dimensions and specifications subject to change without notice.

"D" SHAPED SHOWER ROD

Cat. No.
4145



"D" Rod Loop Connector



Rectangular Flange

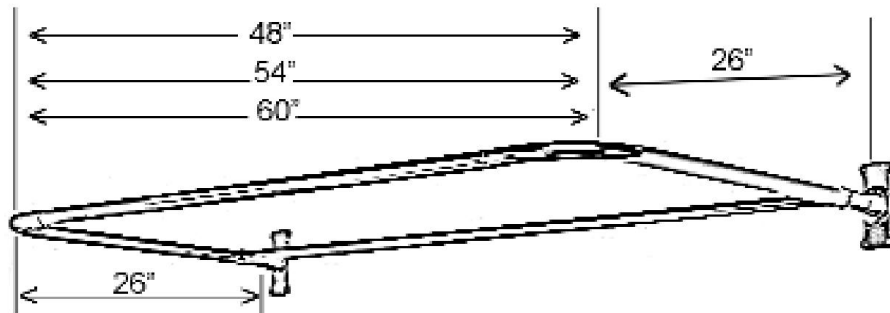
Features:

- ▶ 1" Solid brass tubing
- ▶ Includes rectangular flanges(#300)
- ▶ Includes two "D" rod loop connectors (#331)
- ▶ Available In 3 Sizes: 48", 54", and 60"
(#4145-48, #4145-54, and #4145-60)
- ▶ All rods come as four pieces
- ▶ Ceiling Supports Available (#340)
- ▶ Available in 5 finishes

Finishes:

CP Polished Chrome
BP Polished Brass
PN Polished Nickel

SN Brushed Nickel
ORB Oil Rubbed Bronze



**Measurements Show Different
Lengths For Each Size Rod.**

Dimensions are nominal and may vary. Dimensions and specifications are subject to change without notice.