

# GRIFFIN 61" CAST IRON SLIPPER TUB

Cat. No.  
CTSH60



L: 61-1/4"  
W: 30-1/4"  
H: 21-1/2" & 31" (from floor to top of tub)  
15-1/2" & 23-3/4" (from bottom of tub to top of tub)



**The following is recommended for CTSH60 tubs with deck holes:**

- Rim-mounted faucet: part #4601 or 7529
- Complete shower unit: part# 4063
- Straight bath supplies: part #5577
- Leg tub drain: part #5599

**Do not use with rigid, freestanding supplies.**

Gallon Capacity: 43  
Shipping Weight: 500 lbs.  
Empty Weight: 300 lbs.  
Filled Weight: 679 lbs.

## Features:

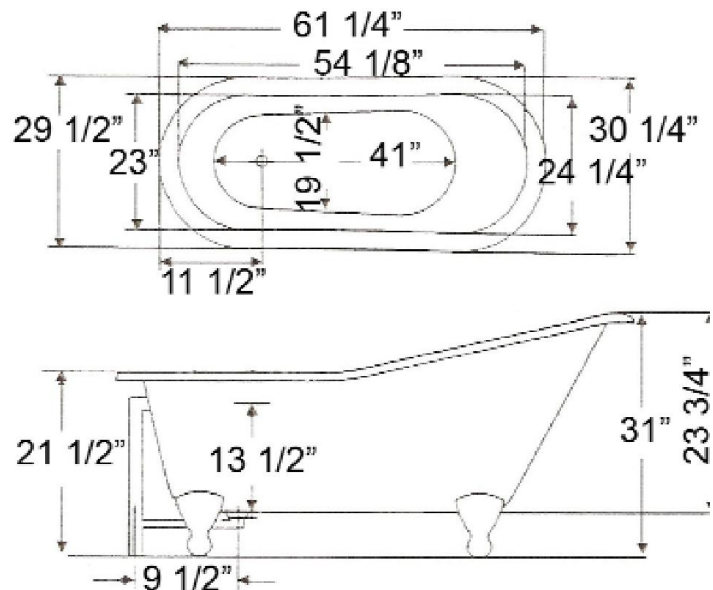
- ▶ Inside finish is white enamel
- ▶ Cast iron ball and claw
- ▶ Tub exterior is white (epoxy)
- ▶ 7" centers in tub deck
- ▶ Non-skid strips
- ▶ Feet attached and leveled before shipment
- ▶ Tub is thoroughly inspected before shipment



### Foot Finishes:

- |                    |                       |
|--------------------|-----------------------|
| BL Black           | PB Polished Brass     |
| BQ Bisque          | ORB Oil-rubbed Bronze |
| CP Polished Chrome | SN Brushed Nickel     |
| PN Polished Nickel | WH White              |

**Custom Colors Available** (inside of tub is always white enamel):  
Painted bathtubs are considered "special order" and are not returnable  
\$160 Bisque or Black \$250 Designer Color



Dimensions of fixture are nominal and may vary within the range of tolerances established by ANSI Standard A112.19.1M. Dimensions and specifications subject to change without notice.

# TUB RIM MOUNT FILLER WITH HANDSHOWER

Cat. No.  
4601



## Features:

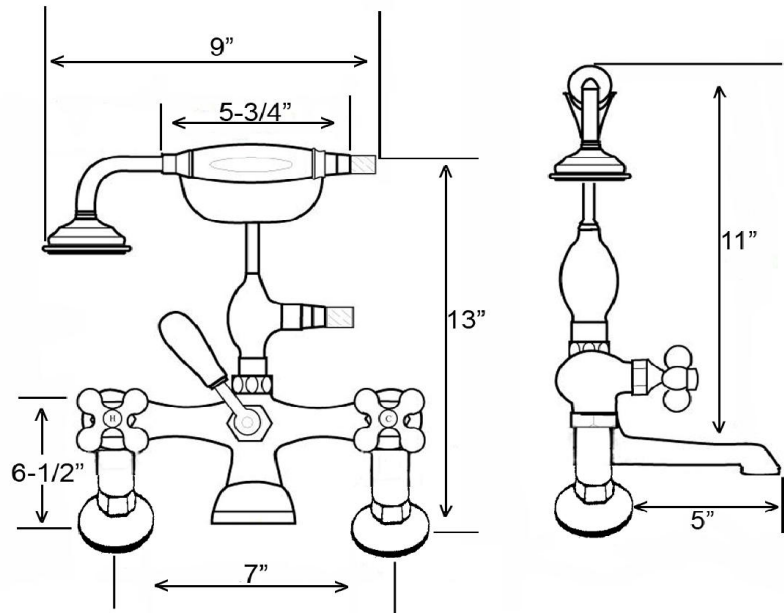
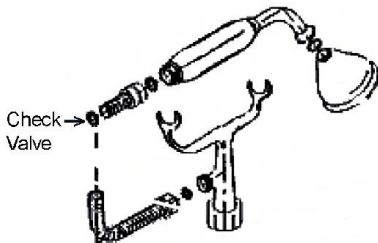
- ▶ Brass construction
- ▶ Elephant spout length is 5"
- ▶ Spout has flow rate is 3.70 GPM
- ▶ Available with porcelain lever (4601- PL) or metal cross lever handles (4601-MC)
- ▶ Telephone handshower with cradle and hose
- ▶ Handshower flow rate 2.5 GPM
- ▶ Handshower includes backflow preventer
- ▶ 6" Elbow mounts included
- ▶ 7" Centers for deck mounting on acrylic or cast iron tubs
- ▶ ¼ Turn ceramic disc cartridges
- ▶ To be used with straight bath supplies, **Part #5577**

## Finishes:

<b>BP</b> Polished Brass	<b>PN</b> Polished Nickel
<b>CP</b> Polished Chrome	<b>ORB</b> Oil Rubbed Bronze
<b>SN</b> Brushed Nickel	



6" Elbow Mounts



Dimensions are nominal and may vary. Dimensions and specifications subject to change without notice.

# STRAIGHT BATH SUPPLIES

Cat.No.

5577



H: 24"

OD: 1/2"

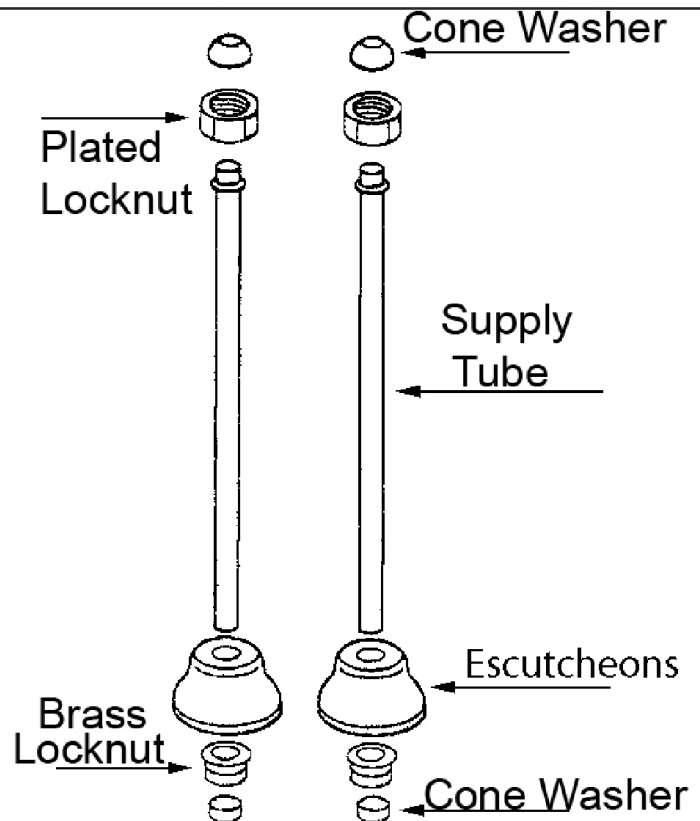
## Features:

- ▶ For use with faucets mounted to the tub deck
- ▶ No stops
- ▶ 1/2" Compression inlet
- ▶ 3/4" Compression outlet
- ▶ Bottom flange 2 1/2" diameter
- ▶ 0.500" Outer diameter
- ▶ 0.400" Inner diameter
- ▶ 0.030" Thickness of the wall
- ▶ Available in 5 Finishes

## Finishes:

**CP** Polished Chrome  
**BP** Polished Brass  
**PN** Polished Nickel

**SN** Brushed Nickel  
**ORB** Oil Rubbed Bronze



**Use on concrete floors requires special installation. We recommend using a plumbing professional.**

Dimensions and specifications subject to change without notice.

# LEG TUB DRAIN

Cat. No.  
5599



Escutcheon Height: 1-1/4"

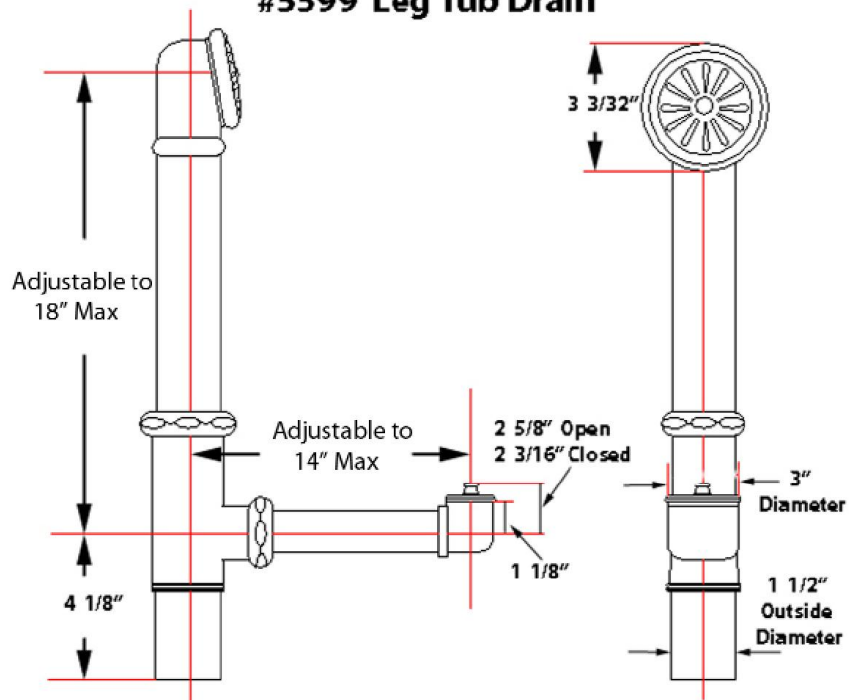
## Features:

- ▶ Twist-and-lift stopper
- ▶ Includes deep escutcheon
- ▶ Height adjustable 15"-18"
- ▶ Depth adjustable 12"-14"
- ▶ Includes deep escutcheon
- ▶ Available in 5 Finishes

## Finishes:

- CP Polished Chrome
- BP Polished Brass
- SN Brushed Nickel
- PN Polished Nickel
- ORB Oil Rubbed Bronze

## #5599 Leg Tub Drain



Dimensions and specifications subject to change without notice.