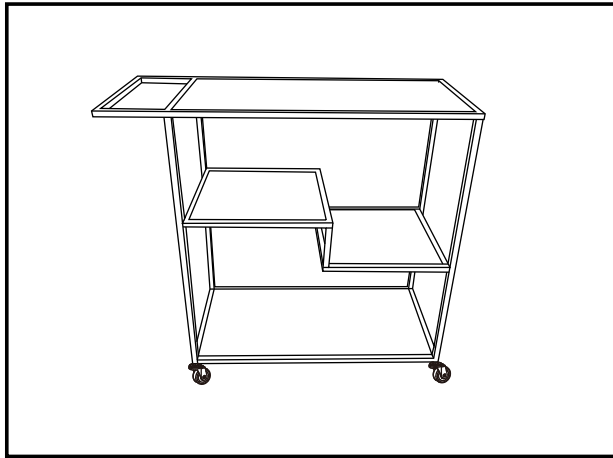




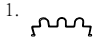



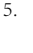

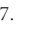
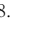
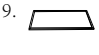





BELLACOR®

Congratulations on your BELLACOR purchase.



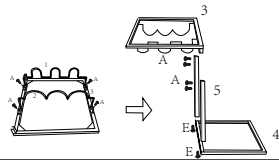
MILLY BAR CART
Item#: 2350966

For questions or concerns regarding your Bellacor branded product, call our toll free number:
1-877-723-5522
Or email us at bellacorcustomercare@bellacor.com

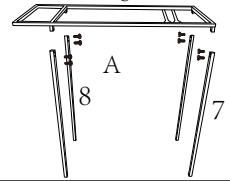
PARTS LIST:				
1.  1PC	2.  1PC	3.  1PC	4.  1PC	5.  2PCS
6.  1PC	7.  2PCS	8.  2PCS	9.  1PC	
 Ax16	 Bx2	 Cx2	 Dx1	 Ex6

HOW TO ASSEMBLE:

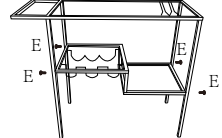
STEP 1:
Fix the wine bottle holder (1 and 2) to the shelf 3 with 4 screws A. Connect the shelf (3 and 4) through fitting 5 with 4 A screws and 2 E screws. Use the Allen Wrench (D) for assembly.



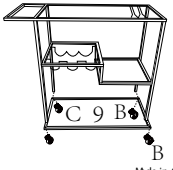
STEP 2:
Secure the square tubes (7 and 8) to the top plate 6 with 8 screws A. Use the Allen Wrench (D) for assembly.



STEP 3:
Connect the fixed shelf (3 and 4) to the previous step with 4 screws E. Use the Allen Wrench (D) for assembly.



STEP 4:
Fix the base plate 9 through the screws of the wheels (B and C) in the previous step.



Made in China

For warranty information please see Bellacor.com