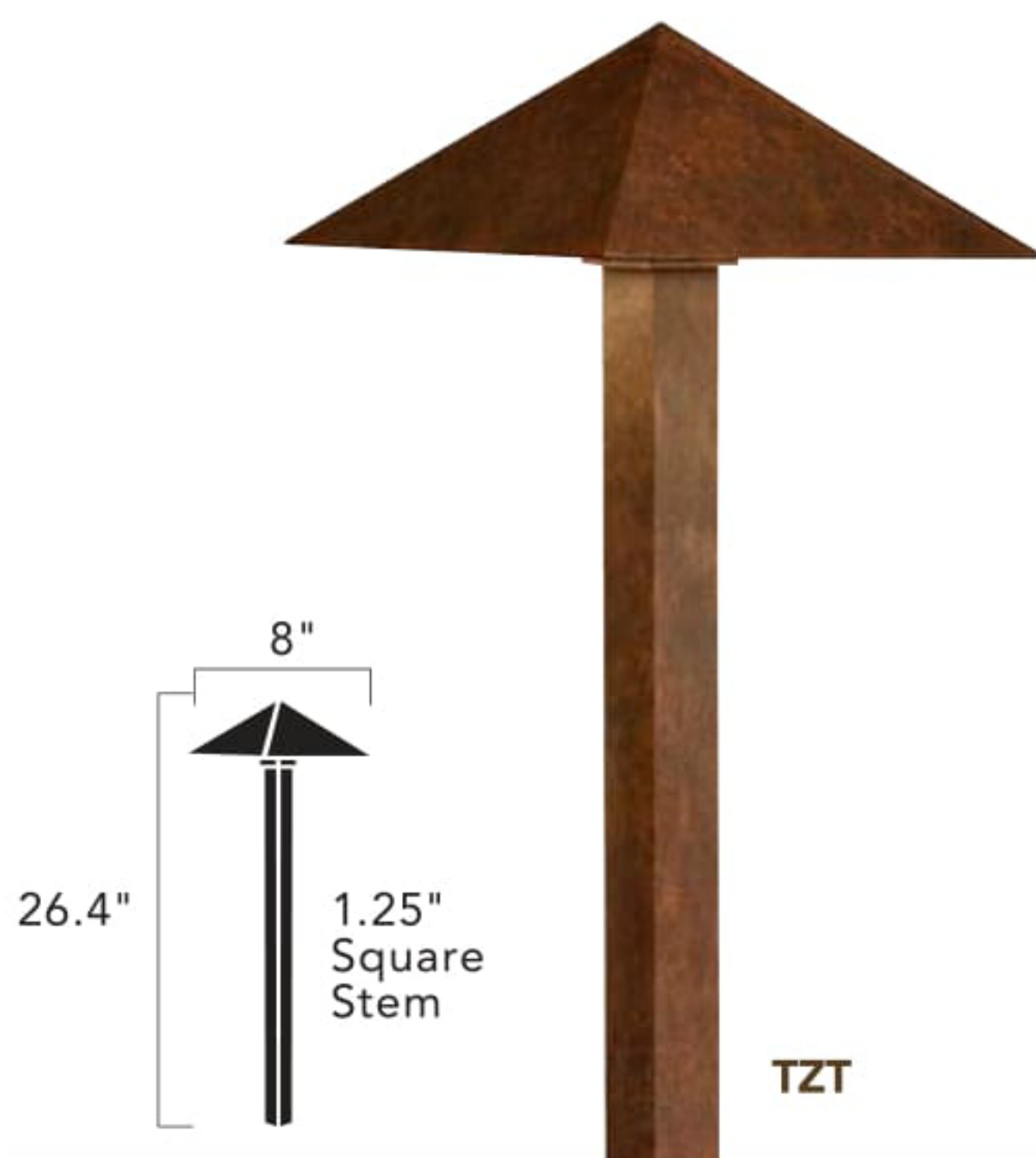


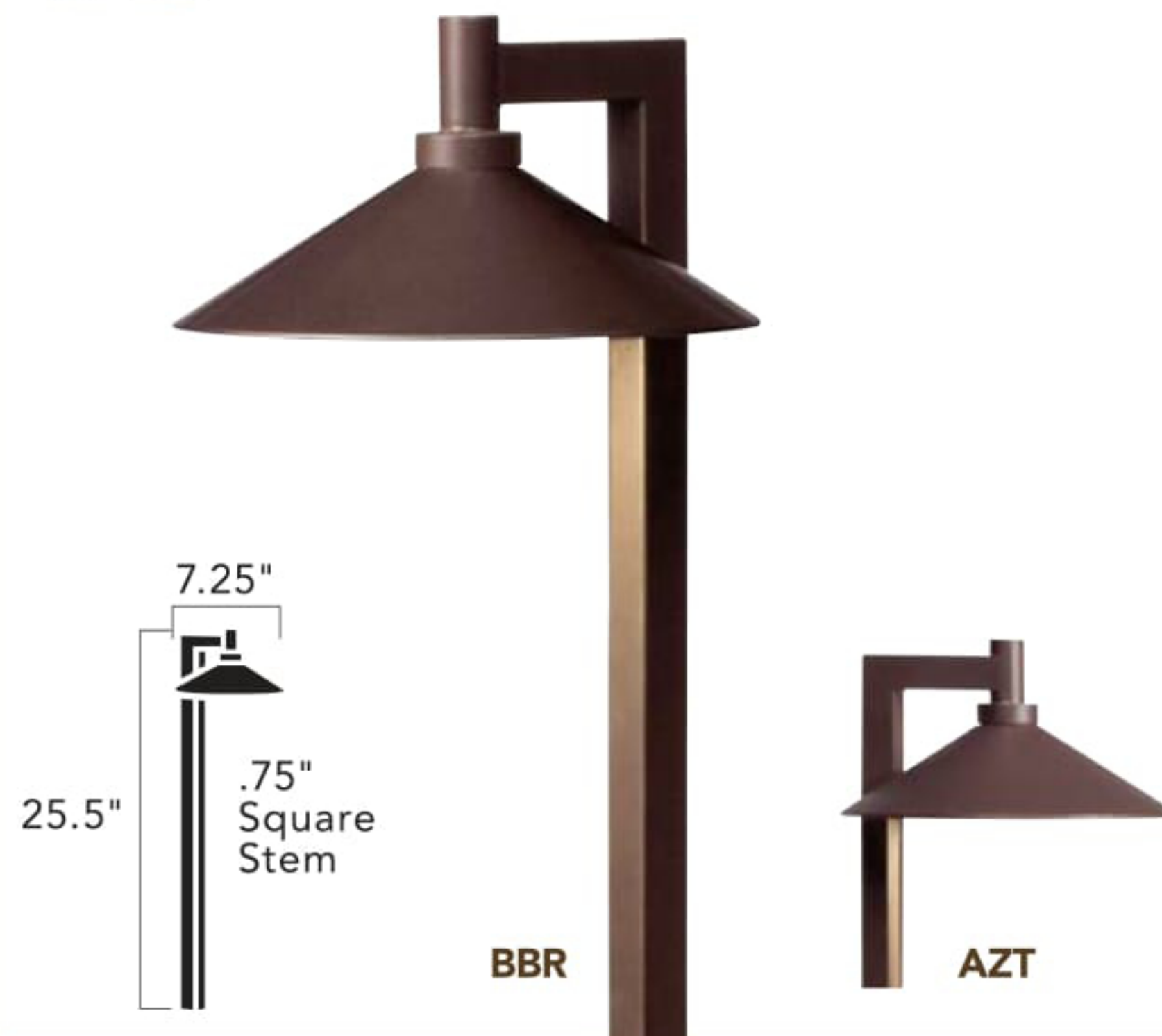
PYRAMID



TZT

15802 TZT

RIPLEY™



BBR

AZT

15800 AZT, BBR

Kelvin	2700K – Warm White	3000K – Pure White	2700K – Warm White	3000K – Pure White						
Ordering Guide & Finish	15802 TZT27R	15802 TZT30R	15800 AZT27R 15800 BBR27R	15800 AZT30R 15800 BBR3027R						
Housing	Cast Aluminum		Cast Aluminum, Cast Brass							
Light Source	3 Integrated High Output Nichia® LEDs, tightly binned for color uniformity, and constant current driver		8 Integrated High Output Nichia® LEDs, tightly binned for color uniformity, and constant current driver							
Color Temp. (CCT) & CRI	2700K (-54/+89) / 80s CRI 3000K (-52/+122) / 80s CRI		2700K (-54/+89) / 80s CRI 3000K (-52/+122) / 80s CRI							
Power Usage at 12V AC Input VA and Watts	3.8 W, 4.95 VA		4.3 W, 5.8 VA							
Operating Voltage Range	9V-15V AC/DC with no loss in output due to constant current technology		9V-15V AC/DC with no loss in output due to constant current technology							
Lumen Maint.	Tested to an L-70 of 40,000 hours		Tested to an L-70 of 40,000 hours							
Delivered Lumens & Efficacy	2700K = 168 Lm 2700K = 46 Lm/W	3000K = 182 Lm 3000K = 49 Lm/W	2700K = 294 Lm 2700K = 67 Lm/W	3000K = 302 Lm 3000K = 73 Lm/W						
Wiring	30" of usable #18-2, SPT-1-W leads. Cable connectors supplied.		24" of usable #18-2, SPT-1-W leads. Cable connectors supplied.							
Mounting Access. (Included)	8" slotted in-ground stake		8" slotted in-ground stake							
Optional Accessories	15601 – Surface Mounting Flange 15607 – Surface Mounting Bracket		15601 – Surface Mounting Flange 15607 – Surface Mounting Bracket							
Incandescent	N/A		N/A							
Notes	N/A		Inspired by the popular Kichler® Ripley™ outdoor lantern. Brass will naturally patina over time.							
Fixture Photometric (fc)*	Distance from Light	0'	1'	2'	3'	4'	5'	6'	7'	8'
	Footcandles	7.10	5.40	2.40	1.00	0.44	0.23	0.14	0.08	0.08
Fixture Photometric (fc)*	Distance from Light	0'	1'	2'	3'	4'	5'	6'	7'	8'
	Footcandles	61.90	53.50	11.96	2.47	1.04	0.33	0.22	0.10	0.08

*Values stated for 3000K. -10% for 2700K.