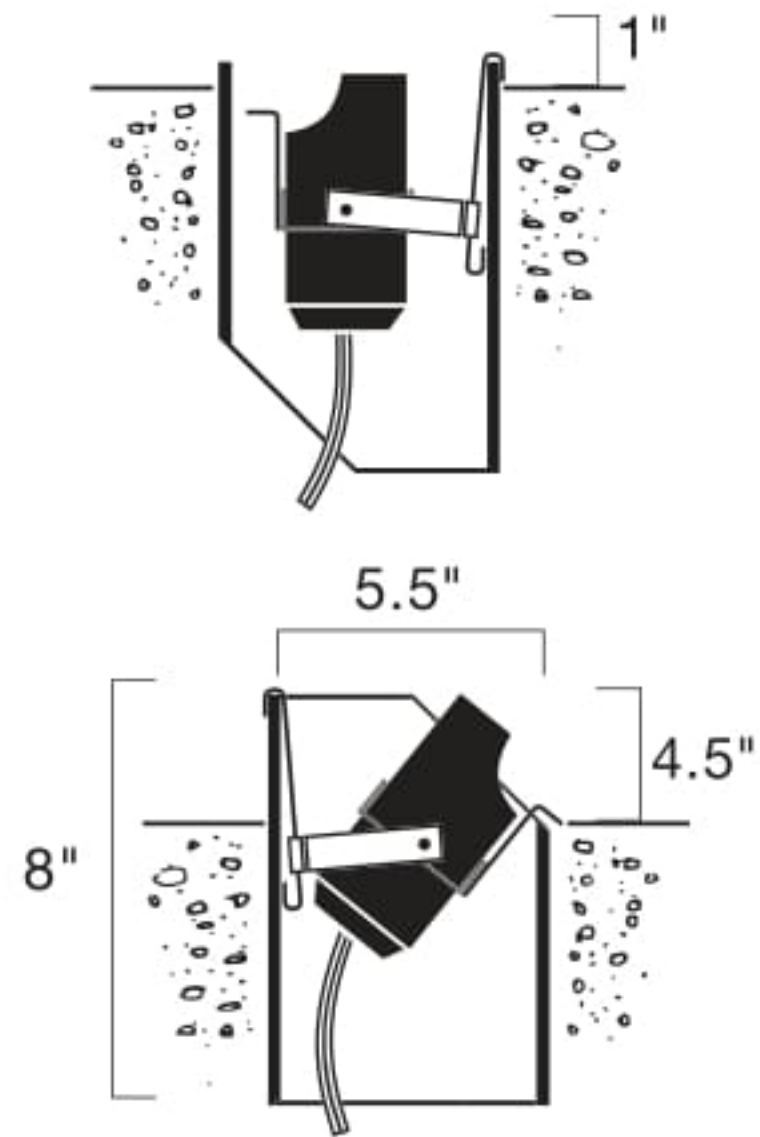


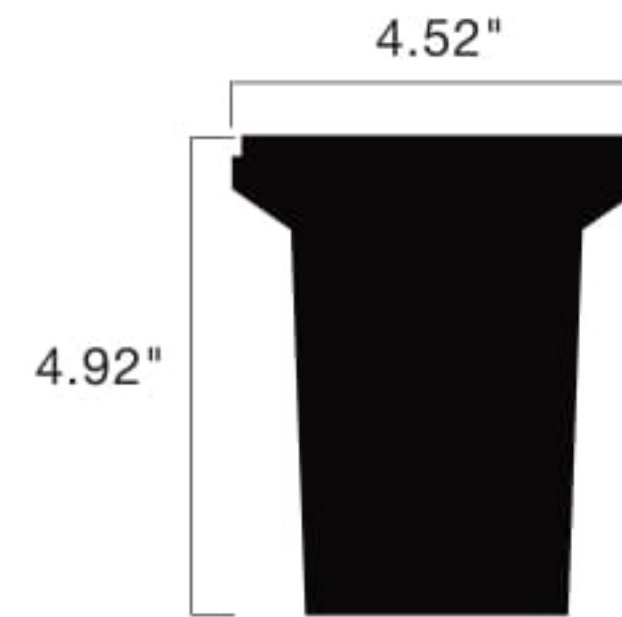
MR16 WELL



BKT

15092 BKT

SOLID BRASS  
IN-GROUND



CBR

Shown with  
composite  
sleeve installed

15481 CBR

	15092 BKT	15481 CBR
Ordering Guide & Finish	15092 BKT	15481 CBR
Housing	Aluminum housing with heat resistant flat glass lens is fully sealed. Heavy duty polypropylene sleeve provides in-ground fixture support.	Cast Brass with heat resistant frosted lens
Lamp Base	12V bi-pin, high temperature porcelain socket	12V bi-pin, high temperature porcelain socket
Supplied Lamp	Lamp not included unless noted Power usage at 12V AC input VA MAX: 50-W(VA) 50-W(VA) MR-16	Lamp not supplied unless noted
Incandescent Lamp Options	N/A	12V AC input. Max: 20-W(VA) MR-16 see page 140
LED Lamp Options	4W (18126-18133) see page 137 Compares to 20W Halogen 5W (18134-18141) see page 137 Compares to 35W Halogen	4W (18126-18133) see page 137 Compares to 20W Halogen 5W (18134-18141) see page 137 Compares to 35W Halogen
Wiring	36" of usable #18-2, SPT-1-W leads. Cable connectors supplied.	34" of usable #18-2, SPT-1-W leads. Cable connectors not included.
Optional Mounting Accessories	15675 LIN – Linear Lens 15676 FRO – Frosted Lens 15679 BK – Hexcell Louver Shield 15686 BL – Blue Filter	N/A
Optional Lens Accessories	N/A	15782 Rock guard with clear glass
Notes	See page 175 for photometrics	Composite installation sleeve included. Brass will develop natural patina over time.