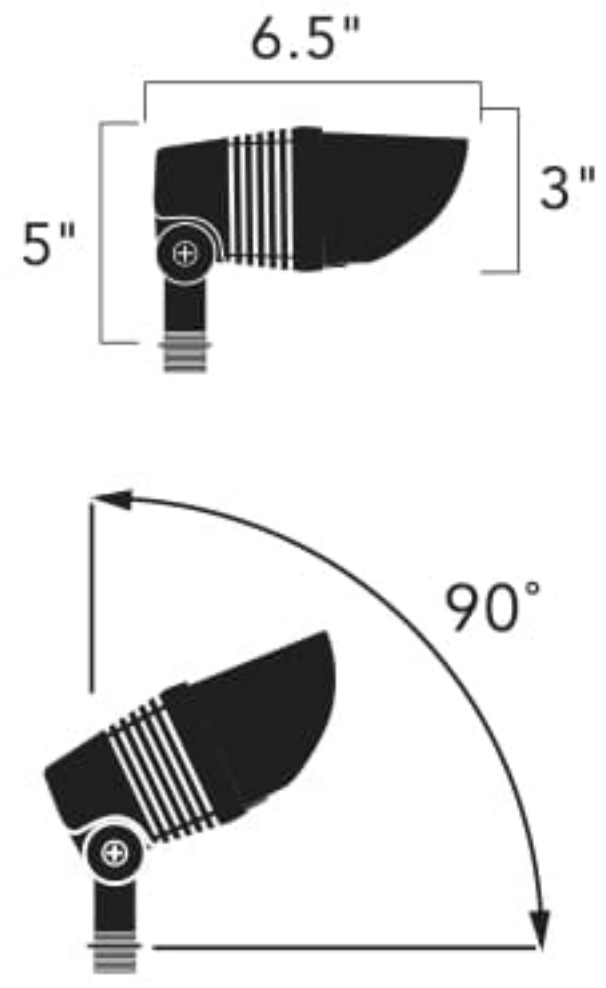


12V LED/INCANDESCENT ACCENT

COMPOSITE



15382 BLK

MR 16



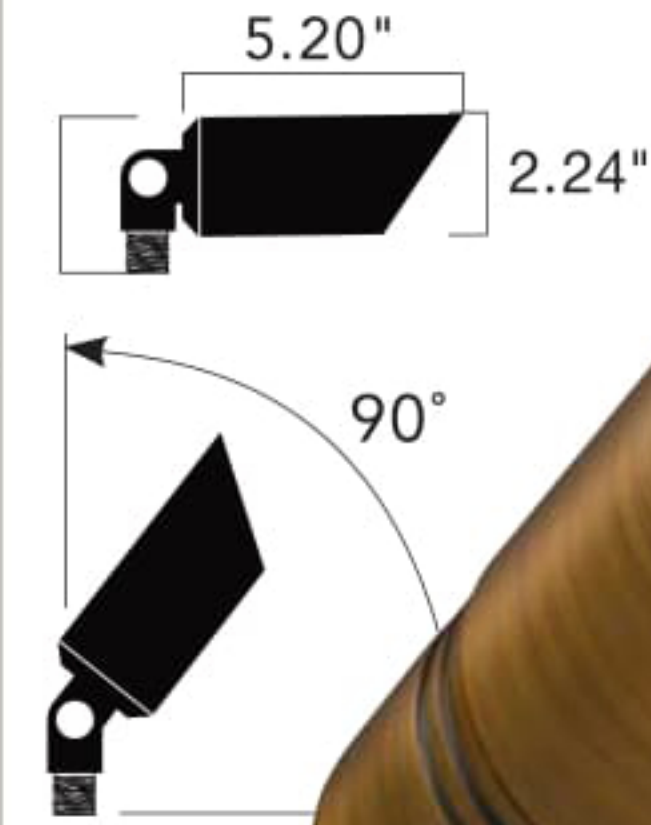
BBR

AZT

BKT

15381 AZT, AZT 6, BBR, BKT

SOLID BRASS



CBR

15475 CBR

Ordering Guide & Finish	15382 BLK	15381 AZT 15381 AZT 6 15381 BBR 15381 BKT	15475 CBR
Housing	Components of durable high heat thermoplastic composite resin. Heat-resistant flat glass lens is fully sealed.	Cast Aluminum or Cast Brass. Heat resistant flat glass lens is fully sealed.	Cast Brass
Lamp Base	12V Incandescent bi-pin, high temperature porcelain socket	12V Incandescent bi-pin, high temperature porcelain socket	12V bi-pin, high temperature porcelain socket
Supplied Lamp	Lamp not supplied unless noted	Lamp not supplied unless noted	Lamp not supplied unless noted
Incandescent Lamp Options	Power usage at 12V AC input VA MAX: 35-W(VA) MR-16 see page 140	Power usage at 12V AC input VA MAX: 75-W(VA) MR-16 see page 140	12V AC/DC input MAX: 35-W(VA) MR-16 see page 140
LED Lamp Options	4W (18126-18133) see page 137 Compares to 20W Halogen 5W (18134-18141) see page 137 Compares to 35W Halogen	4W (18126-18133) see page 137 Compares to 20W Halogen 5W (18134-18141) see page 137 Compares to 35W Halogen	4W (18126-18133) see page 137 Compares to 20W Halogen 5W (18134-18141) see page 137 Compares to 35W Halogen
Wiring	30" of usable #18-2, SPT-1-W leads. Cable connectors supplied.	35" of usable #18-2, SPT-1-W leads. Cable connectors supplied.	30" of usable #18-2, SPT-1-W leads.
Mounting Access. (Included)	8" slotted in-ground stake	8" slotted in-ground stake	8" in-ground stake
Optional Mounting Accessories	15601 – Surface Mounting Flange 15607 – Surface Mounting Bracket 15609 – Junction Box Mounting Bracket 15647 – 90° Elbow 15649 – Stem Coupler 15645, 15656, 15657, 15658 or 15570 – Stems	15601 – Surface Mounting Flange 15607 – Surface Mounting Bracket 15609 – Junction Box Mounting Bracket 15647 – 90° Elbow 15649 – Stem Coupler 15645, 15656, 15657, 15658 or 15570 – Stems	15601 – Surface Mounting Flange 15607 – Surface Mounting Bracket 15609 – Junction Box Mounting Bracket 15647 – 90° Elbow 15649 – Stem Coupler 15645, 15656, 15657, 15658 or 15570 – Stems LK87CBR–Lock Nut
Optional Lens Accessories	15673 BL – Blue Filter 15672 FRO – Frosted Lens 15674 LIN – Linear Lens	15680 BK – Hexcell Louver Shield 15687 BL – Blue Filter 15691 FRO – Frosted Lens 15692 LIN – Linear Lens	15679 BK – Hexcell Louver Shield 15686 BL – Blue Filter 15676 FRO – Frosted Lens 15675 LIN – Linear Lens
Notes	U.S. Patent D417,519. See page 171 for photometrics.	See page 171 for photometrics. Brass will naturally patina over time.	Not recommended for down light applications. Brass will naturally patina over time.