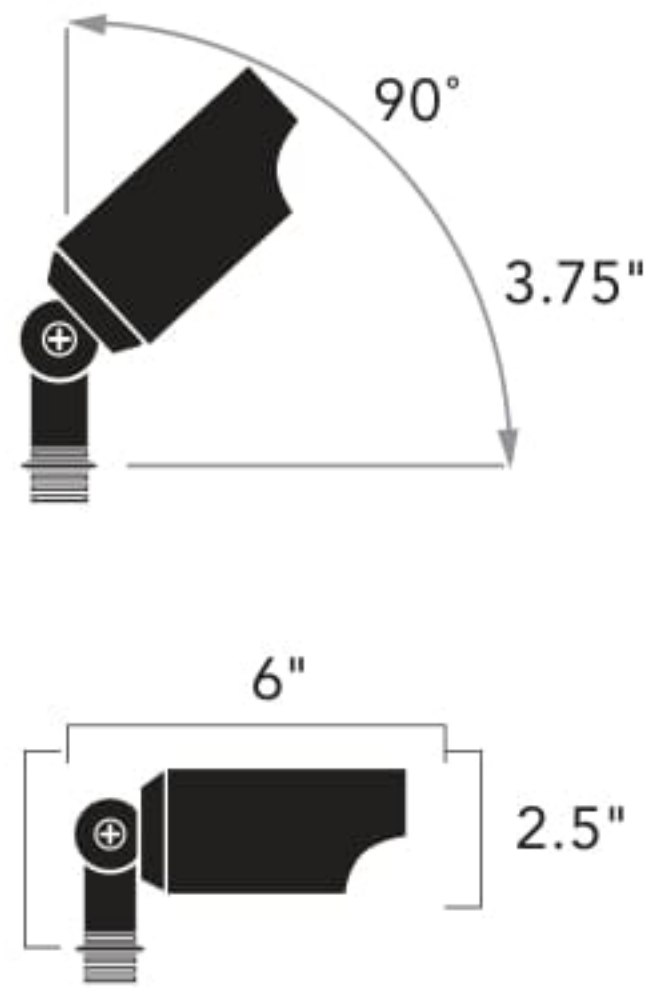


MINI ACCENT



15384 AZT, AZT 24, BKT, BKT 24, CBR, CO

LONG COWL
MINI-ACCENT



Illustrated with 15657
18" mounting stem and
15649 stem coupler
(both sold separately)

15484 AZT

| | | |
|-------------------------------|--|--|
| Ordering Guide & Finish | 15384 AZT 15384 AZT 24 15384 BKT 15384 BKT 24 15384 CO 15384 CBR | 15484 AZT |
| Housing | Cast Aluminum, Cast Brass or Unfinished Copper. Heat resistant flat glass lens is fully sealed. | Cast Aluminum. Heat-resistant flat glass lens is fully sealed. |
| Lamp Base | 12V Incandescent bi-pin, high temperature porcelain socket | 12V Incandescent bi-pin, high temperature porcelain socket |
| Supplied Lamp | Lamp not supplied unless noted | Lamp not supplied unless noted |
| Incandescent Lamp Options | Power usage at 12V AC input VA MAX: 50-W(VA) MR-16 35-W(VA) Max. on 15384CO 20-W(VA) Max. Canada see page 140 | Power usage at 12V AC input VA MAX: 50-W(VA) MR-16 20-W(VA) Max. Canada 35-W(VA) MR-11 see page 140 |
| LED Lamp Options | 4W (18126-18133) see page 137 Compares to 20W Halogen 5W (18134-18141) see page 137 Compares to 35W Halogen | 4W (18126-18133) see page 137 Compares to 20W Halogen 5W (18134-18141) see page 137 Compares to 35W Halogen |
| Wiring | 35" of usable #18-2, SPT-1-W leads. Cable connectors supplied. | 35" of usable #18-2, SPT-1-W leads. Cable connectors supplied. |
| Mounting Access. (Included) | 8" slotted in-ground stake | 8" slotted in-ground stake |
| Optional Mounting Accessories | 15601 – Surface Mounting Flange 15607 – Surface Mounting Bracket 15609 – Junction Box Mounting Bracket 15647 – 90° Elbow 15649 – Stem Coupler 15645, 15656, 15657, 15658 or 15570 – Stems | 15601 – Surface Mounting Flange 15607 – Surface Mounting Bracket 15609 – Junction Box Mounting Bracket 15647 – 90° Elbow 15649 – Stem Coupler 15645, 15656, 15657, 15658 or 15570 – Stems |
| Optional Lens Accessories | 15675 LIN – Linear Lens 15676 FRO – Frosted Lens 15679 BK – Hexcell Louver Shield 15686 BL – Blue Filter | 15675 LIN – Linear Lens 15676 FRO – Frosted Lens 15679 BK – Hexcell Louver Shield 15686 BL – Blue Filter |
| Notes | Copper and brass will naturally patina over time | N/A |