

# Irene-5H

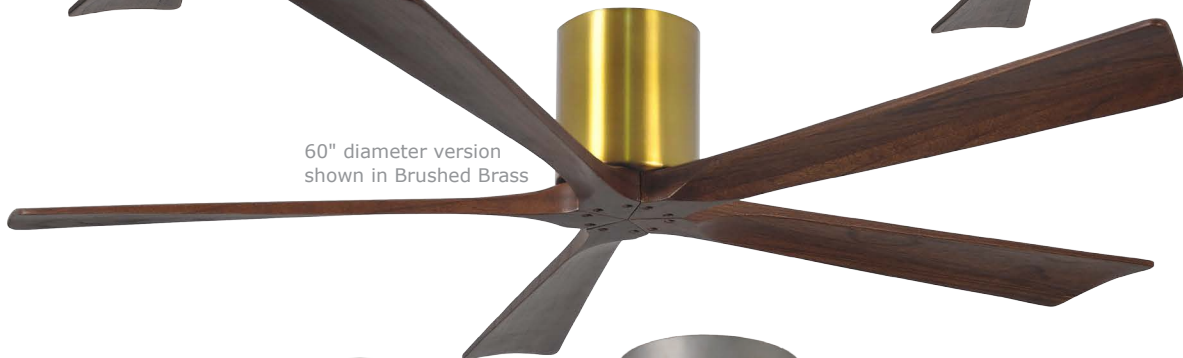
Designed in 2013



42" diameter version  
shown in Textured Bronze



42" diameter version  
shown in Matte Black



60" diameter version  
shown in Brushed Brass



52" diameter version  
shown in Brushed Nickel



60" diameter version  
shown in Polished Chrome



42" diameter version  
shown in Gloss White

Cutting a figure like no other, Irene-5H ceiling-mount fan, is rustic, yet strikingly modern with five neatly joined, solid walnut-toned wooden blades. A cylindrical motor housing complements its minimal profile. Irene-5H is streamline while still appearing warm and natural.

- Five solid wood, walnut-toned machine-cut blades in 42", 52" or 60" diameter.
- Damp location finishes: brushed brass, brushed nickel, polished chrome, textured bronze, matte black, and gloss white.
- Energy efficient, ultra-quiet, six-speed and reversible DC motor with new, reliable technology.
- Reverse on hand-held, wall mountable remote control.
- Constructed of cast aluminum and heavy stamped steel.
- Limited Lifetime Warranty



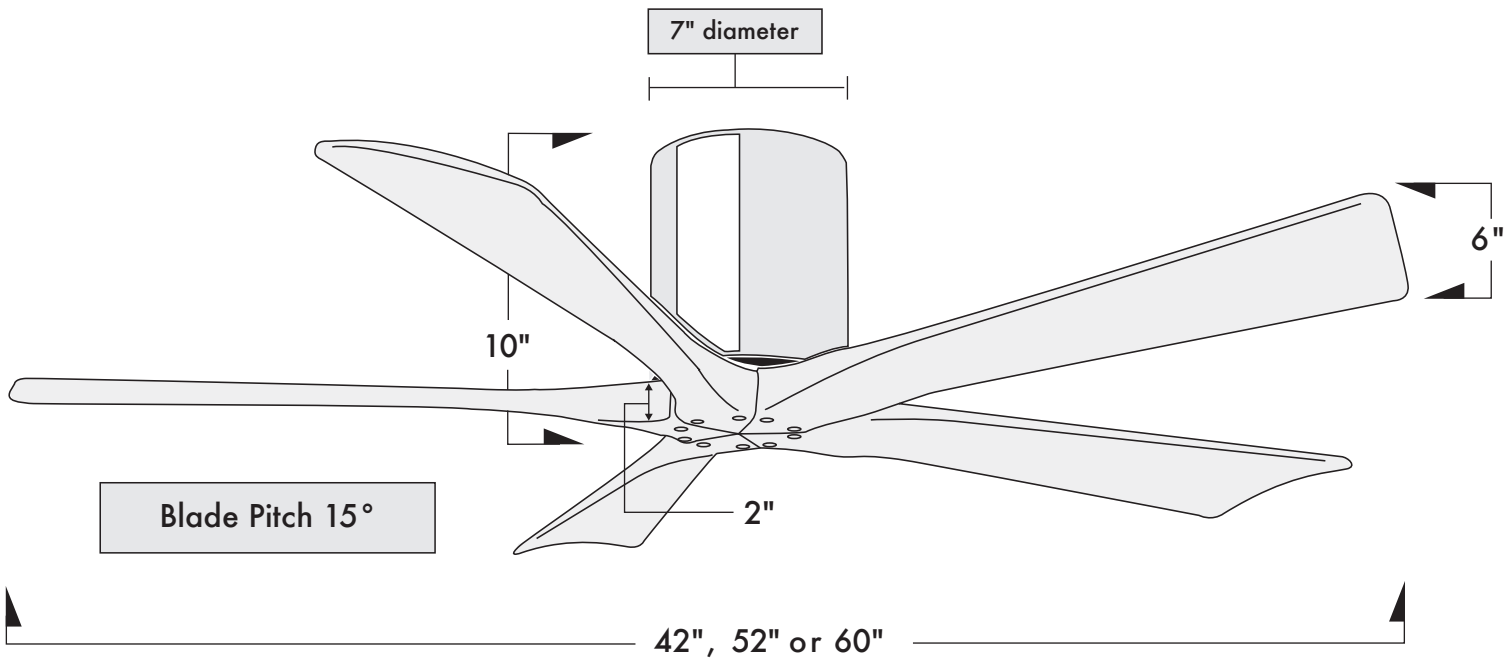
# MATTHEWS

FAN COMPANY



## Irene-5H

weight: 12 lbs  
voltage: 110/220



SKU Naming Convention	
IR5H-XX-XX (Model-Finish-Diameter)	
Finishes	Diameter
Brushed Brass - BRBR	42" - 42
Brushed Nickel - BN	52" - 52
Gloss White - WH	60" - 60
Matte Black - BK	
Polished Chrome - CR	
Textured Bronze - TB	

CFM
42" Diameter - 4692
52" Diameter - 6050
60" Diameter - 5266



The Irene-5H is compatible with a proprietary decora-style accessory wall control: DC-WC.



\*\*Damp location: All standard finishes. Not recommended for salt water / ocean front applications.