


# Irene-3H

Designed in 2013




60" diameter version  
shown in Brushed Brass



52" diameter version  
shown in Brushed Nickel



42" diameter version  
shown in Textured Bronze



52" diameter version  
shown in Gloss White



42" diameter version  
shown in Matte Black



52" diameter version  
shown in Polished Chrome

Cutting a figure like no other, the Irene-3H ceiling-mount fan, is rustic, yet strikingly modern with three neatly joined, solid walnut-toned wooden blades. A cylindrical motor housing complements its minimal profile. Irene-3H is streamline while still appearing warm and natural.

- Three solid wood, walnut-toned machine-cut blades in 42", 52" or 60" diameters.
- Energy efficient, ultra-quiet, six-speed and reversible DC motor with new, reliable technology.
- Damp location finishes: brushed brass, brushed nickel, polished chrome, textured bronze, matte black and gloss white.
- Reverse on hand-held, wall mountable six-speed remote control.
- Constructed of cast aluminum and heavy stamped steel.
- Limited Lifetime Warranty



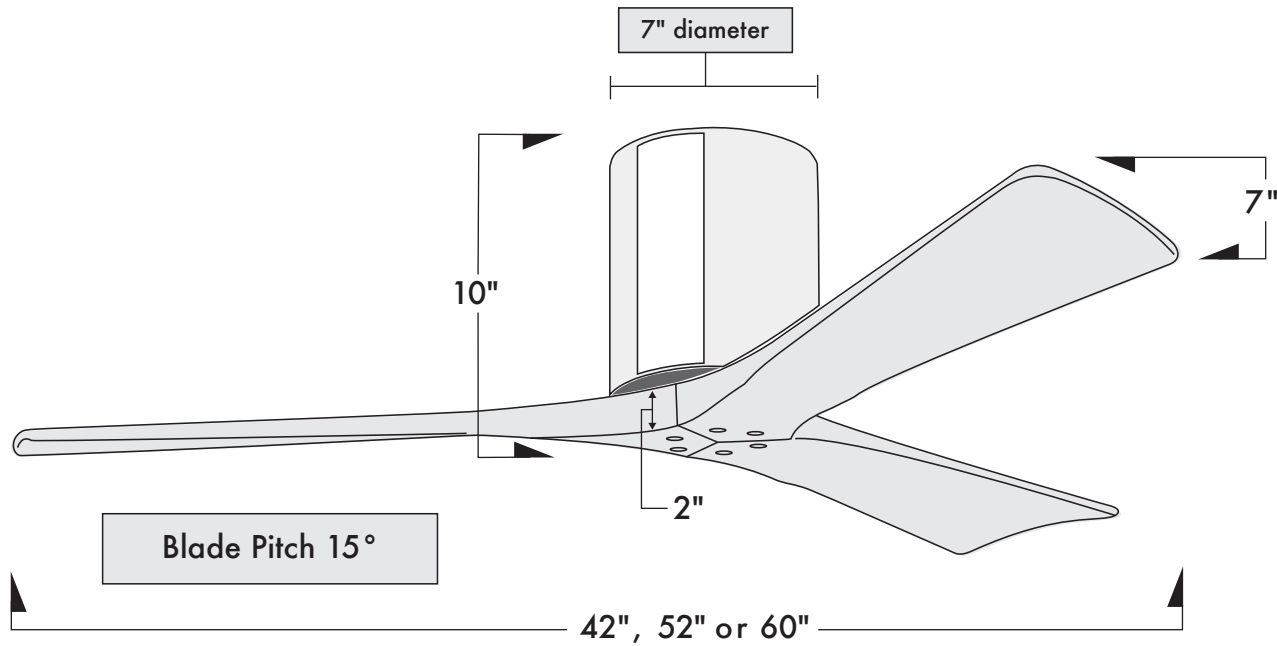
# MATTHEWS

FAN COMPANY



## Irene-3H

weight: 11 lbs  
voltage: 110/220



SKU Naming Convention	
IR3H-XX-XX (Model-Finish-Diameter)	
Finishes	Diameter
Brushed Brass - BRBR	42" - 42
Brushed Nickel - BN	52" - 52
Gloss White - WH	60" - 60
Matte Black - BK	
Polished Chrome - CR	
Textured Bronze - TB	

CFM
42" Diameter - 4033
52" Diameter - 6140
60" Diameter - 5026



The Irene-3H is compatible with our proprietary decora-style accessory wall control: DC-WC.



\*\*Damp location: All standard finishes. Not recommended for salt water / ocean front applications.