



Damp  
Location:  
All Finishes\*\*

42" diameter version  
shown in Textured Bronze

52" diameter version  
shown in Polished Chrome

# Irene-3

*Designed in 2012*

60" diameter version  
shown in Brushed Nickel

Cutting a figure like no other, the Irene-3 is rustic, yet strikingly modern with three neatly joined, solid walnut-stained wooden blades. A spherical motor housing complements its minimal profile. Irene-3 is streamline while still appearing warm and natural.

- 42", 52" or 60" diameter with three solid wood, walnut-toned machine-cut blades.
- Energy efficient, ultra-quiet, six-speed, reversible DC motor with new, reliable technology.
- Damp location finishes: brushed nickel, polished chrome or textured bronze.
- Constructed of cast aluminum and heavy stamped steel.
- Limited Lifetime Warranty
- Standard equipment:
  - One downrod of 10". 5", 20", 30", 48" or 72" downrods are also available.
  - Vaulted ceiling mount canopy for up to 30 degrees.
  - Reverse on six-speed, hand-held and wall-mountable remote control.

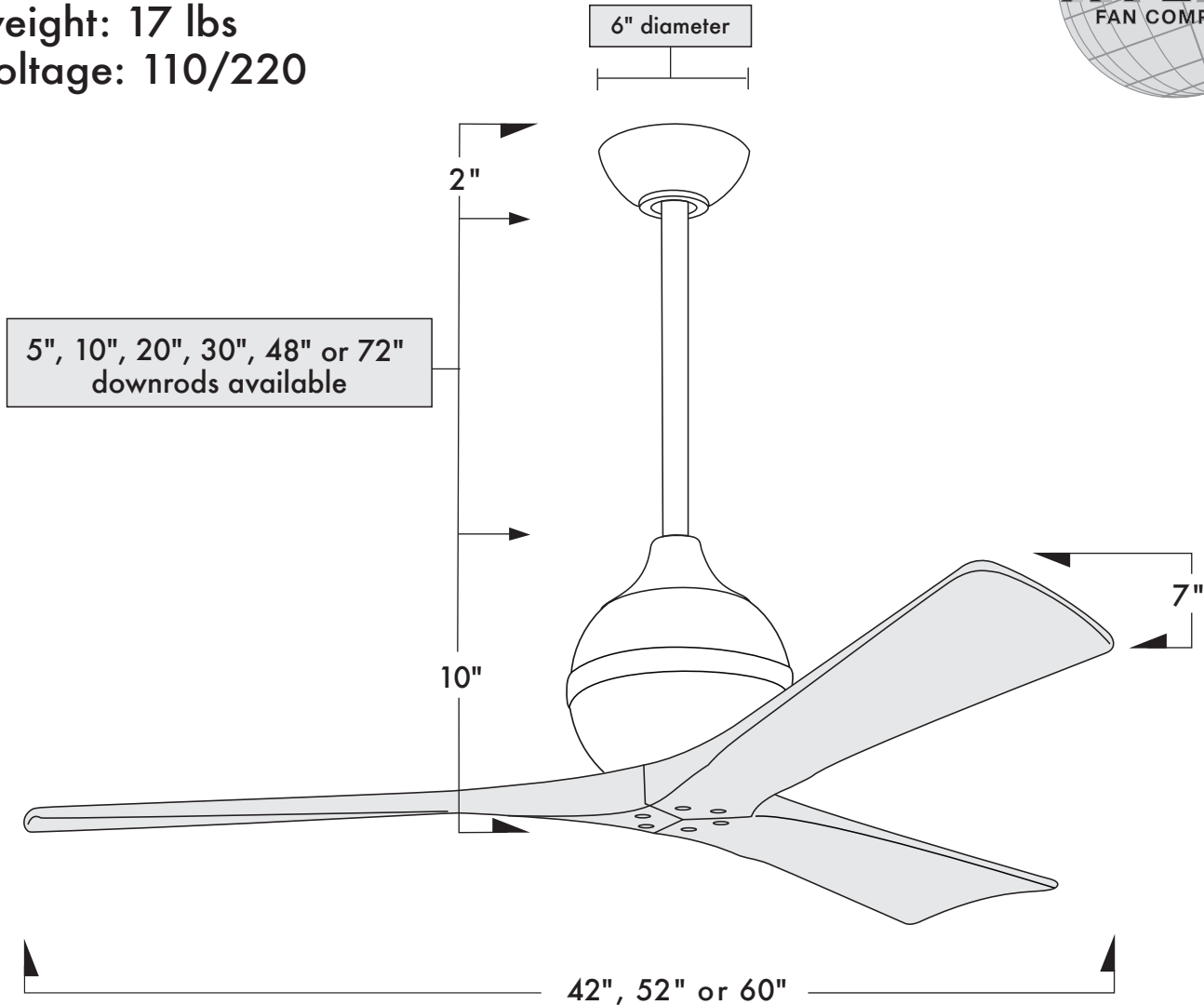
# MATTHEWS

FAN COMPANY



## Irene-3

weight: 17 lbs  
voltage: 110/220



SKU Naming Convention	
IR3-XX (Model-Finish)	
Finish	
Brushed Nickel	- BN
Polished Chrome	- CR
Textured Bronze	- TB

CFM
42" Diameter - 4033
52" Diameter - 6140
60" Diameter - 6553



The Irene-3 is compatible with flat or vaulted ceilings and can be mounted with any one of the following downrod lengths: 5", 10", 20", 30", 48" and 72".



\*\*Damp location: All standard finishes. Not recommended for salt water/ocean front applications.