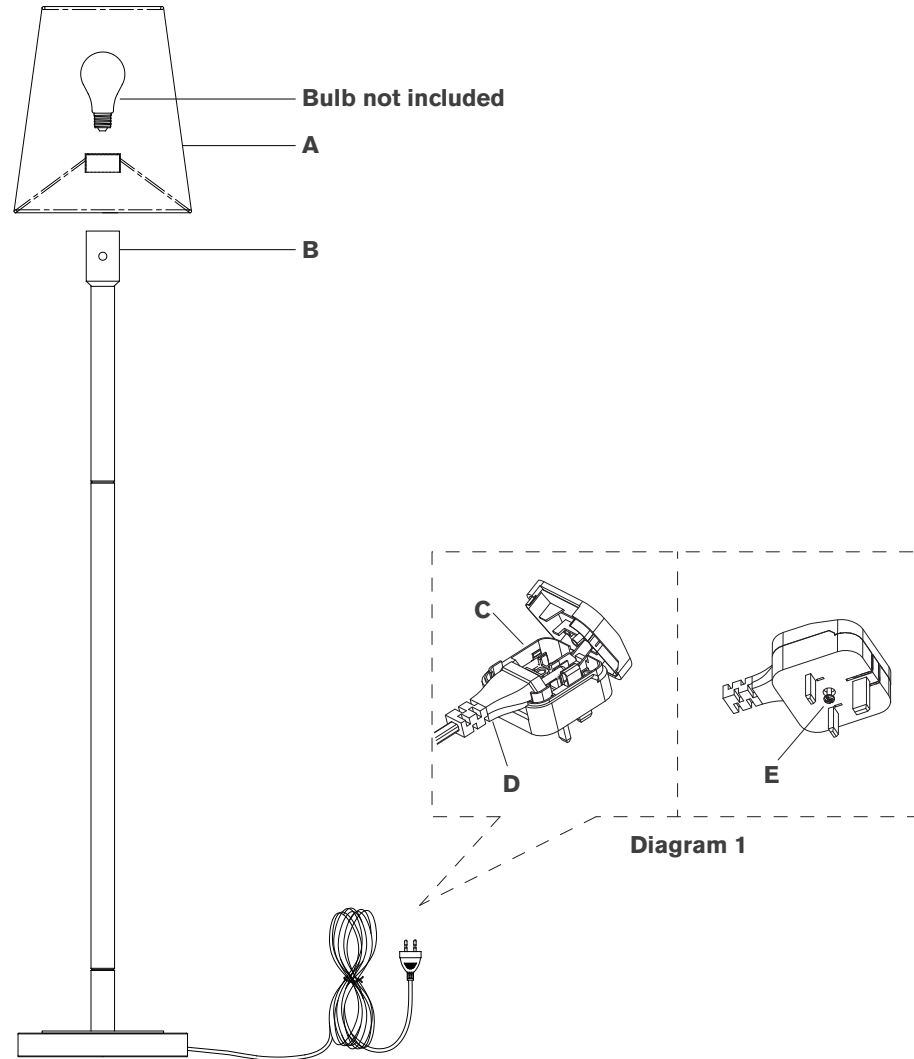


## ASSEMBLY INSTRUCTIONS



## Reagan Medium Reading Floor Lamp

Item # CHA 9912-EU

### NOTICE:

This light fixture should be installed in accordance with all applicable, local installation codes, and by a person familiar with the construction and operation of it, as well as the hazards involved. Inspect item and contents carefully. If any damage or defect is found, do not install. Retain all packaging material until installation is complete and approved.

### TOOLS REQUIRED (NOT INCLUDED):

Phillips Screwdriver          Scissors

1. Carefully remove all parts from the box. Place on a clean, soft surface.
2. Remove shade (A) from packaging and place on socket (B).  
**NOTE:** If shade has additional packaging, carefully cut off from interior of shade to avoid damages.
3. Install light bulb into the socket.
4. Plug into electrical outlet and test the fixture.

### UK PLUG ADAPTOR INSTRUCTIONS

- a. Open adaptor cover by loosening screw (E).
- b. Insert plug (D) into adaptor (C) as shown in diagram 1.
- c. Close adaptor cover and secure with screw (E).

**Care Instructions:** Clean only with a soft dry cloth or feather duster. Do not use abrasive or chemical agents.