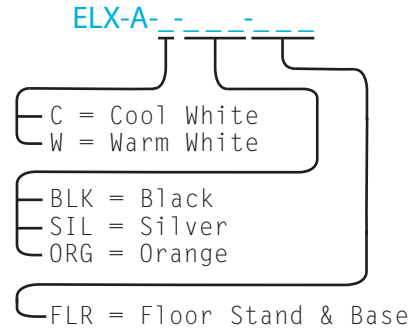


Specifications

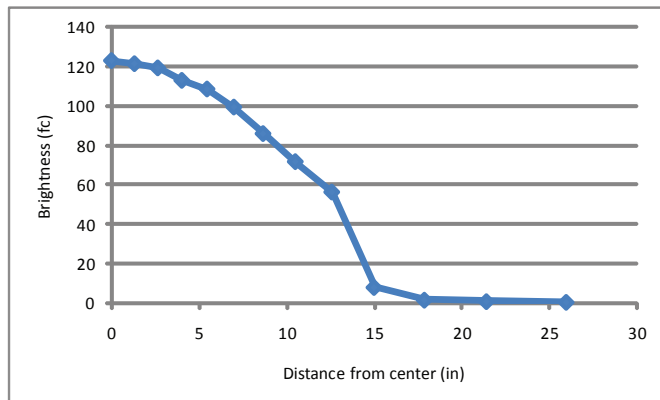
Transformer (100–240 V; 50/60 Hz):	Included – C-UL-US Certified
Energy Consumption:	6 watts
Number of LEDs:	28 LEDs
LED Rated Lifespan:	50,000 hours
Color Temperature (Typical) – Cool:	4,500 K
Color Temperature (Typical) – Warm:	3,500 K
Color Rendering Index (CRI):	85
Dimmer:	Built-in touchstrip
Brightness Adjustability:	Continuous
Color Finish:	Black, Silver, Orange
Material:	Aluminum/Plastic
Cord Color:	Black
Cord Length:	9'

Model number



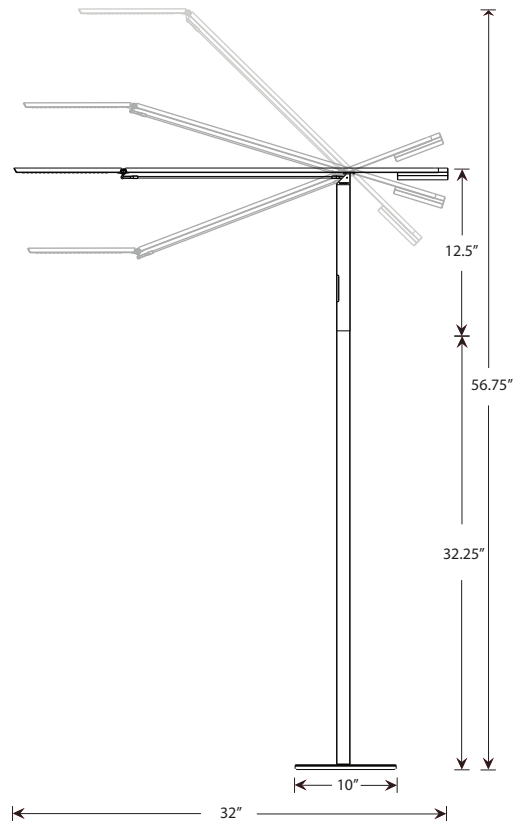
Photometrics

Light source placed at 15" away from worksurface



Dimensions

Horizontal and vertical reach



LEED credit eligibility

Energy & Atmosphere (EA)

Credit 1.1: Optimize Energy Performance
LED lighting to reduce energy consumption.
(Potential points: 3)

Innovation In Design (ID)

Credit 1.1 - 1.4: Innovation in Design
EQUO® Floor incorporates a unique combination of features including feather-light adjustability with counterbalance mechanism, flicker-free touch sensitive dimming, and constant angle joint stabilization.
(Potential points: 4)

Materials & Resources (MR)

Credit 4.1: Recycled Content - 10%
Lamps contain parts made out of 10% pre-consumer recycled content.
(Potential points: 1)

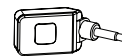
Credit 4.2: Recycled Content - 20%
Lamps contain parts made out of 20% pre-consumer recycled content.
(Potential points: 2)

Environmental considerations

Lamp contains 53% preconsumer recycled material by weight*
Aluminum housing is fully recyclable
All color finishes use water-based paint
All cardboard used in packaging is FSC certified
LEDs do not contain mercury

*in standard configuration (includes transformer and weighted base)

Accessories (*optional)



Occupancy sensor*
(P7-02-OCC01A)