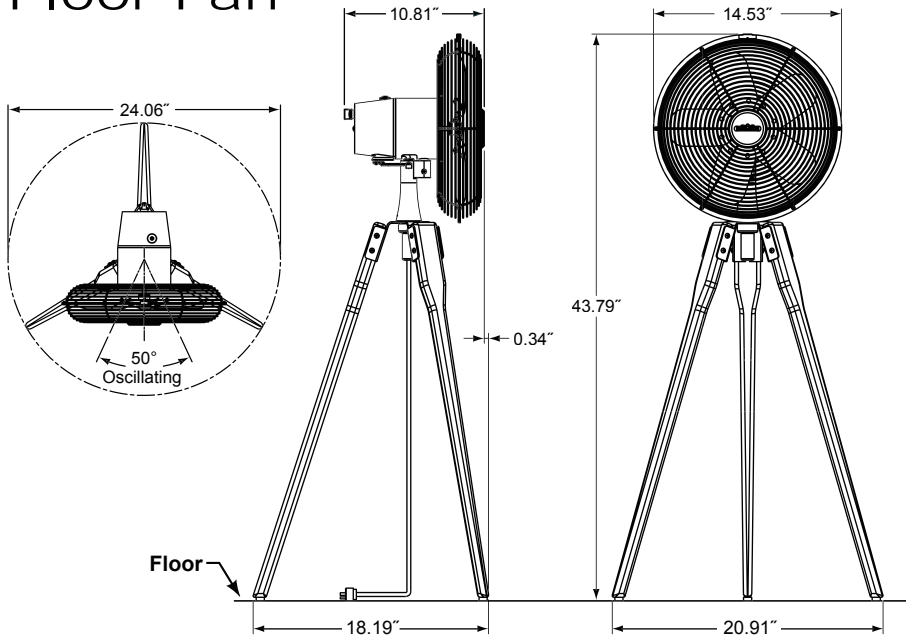


ARDEN™

FP8014** Oscillating Floor Fan



Net Weight: 13.1 lbs



Available Finishes		
	Assembly	Wood-Leg
OB	Oil-rubbed Bronze	Walnut
SN	Satin Nickel	Walnut

INSTALLATION REQUIREMENTS:

Motor assembly must be assembled to the wood legs with three 3/16-24x12 mm screws. Lag screws included.

ELECTRICAL REQUIREMENTS:

Requires a grounded electrical supply line of 120 volts AC, 60 Hz, 15 amp circuit. 8 ft power cord is included.

MOTOR SPECS:

74 x 18 motor is designed for optimal performance with this fan.

FAN SPEED:

3-speed rotating switch (on back of motor). Approximate speeds (depending on blade selection) High—1310 rpm; Med—1030 rpm; Low—910 rpm;

LOCATION USE:

Fan is rated for dry locations only.