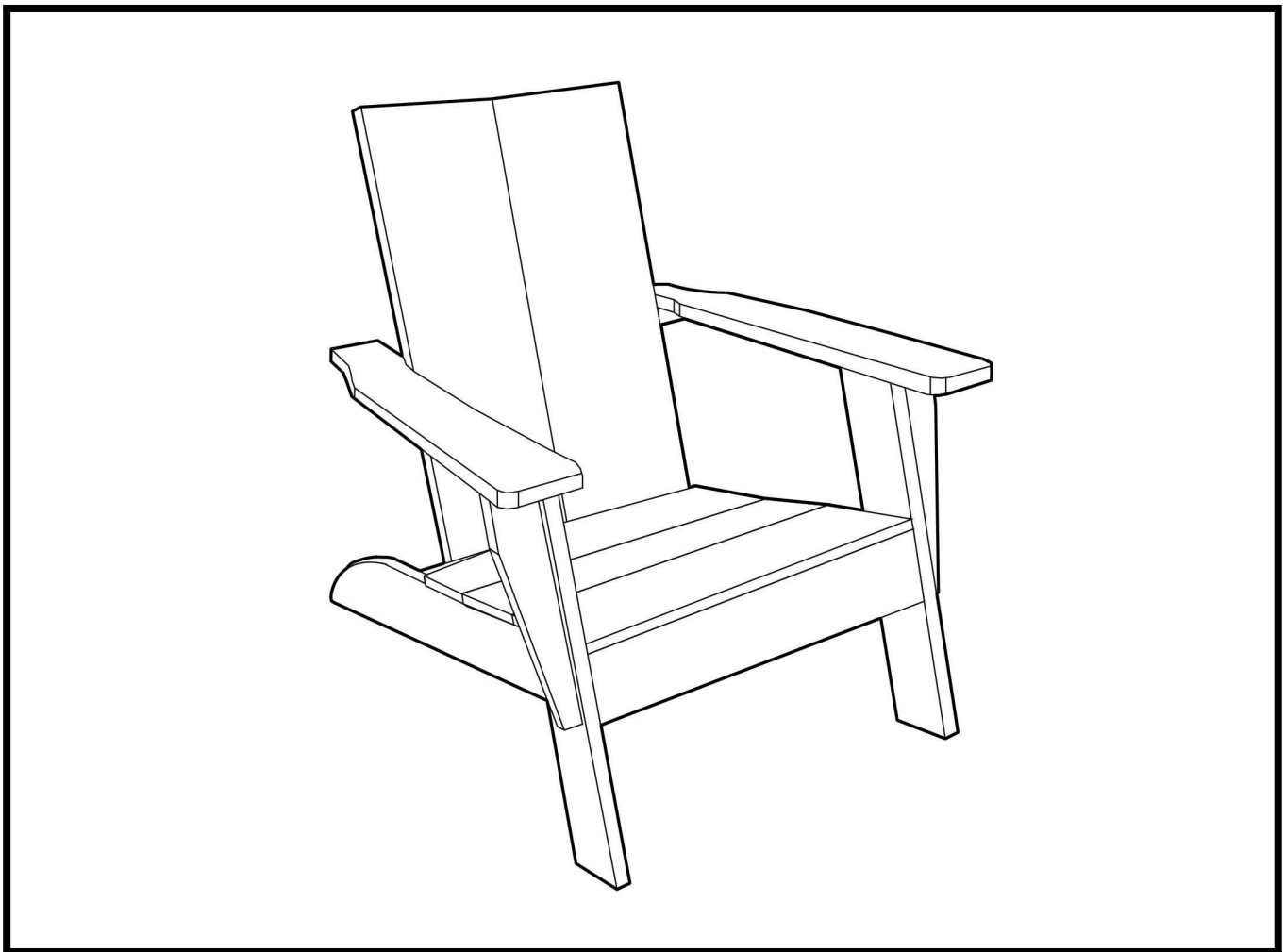


BELLACOR®

Congratulations on your BELLACOR purchase.



Adirondack Chair

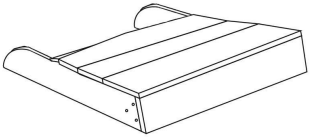
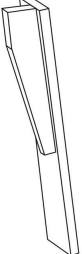
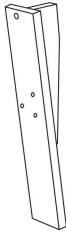
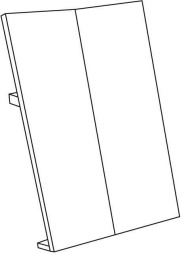
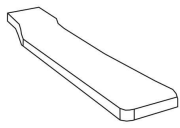
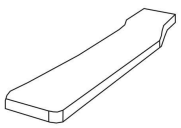





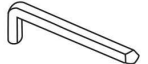
Item#: 2329865/2329866

For questions or concerns regarding your Bellacor branded product, call our toll free number:

1-877-723-5522

Or email us at bellacorcustomercare@bellacor.com

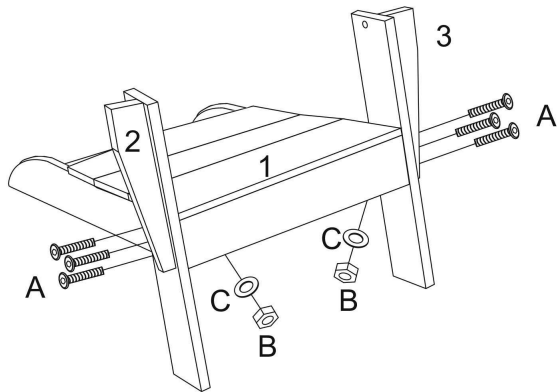
PARTS LIST:

					
1. Seat Panel 1pc	2. Left Leg 1pc	3. Right Leg 1pc	4. Back Panel 1pc	5. Left Arm 1pc	6. Right Arm 1pc
					
A. 40mm Bolt 10pcs	B. Nut 10pcs	C. Washer 10pcs	D. 50mm Bolt 2pcs	E. Wrench 1pc	F. Allen Wrench 1pc

HOW TO ASSEMBLE:

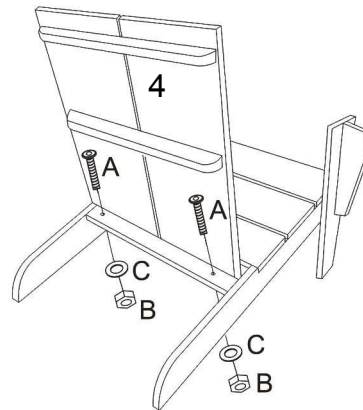
STEP 1:

Attach the Left and Right Legs (2 & 3) to the Seat Panel (1) using six 40mm Bolts (A), Washers (C), and Nuts (B), three per Leg. Use the included Wrench (E) and Allen Wrench (F) for assembly.



STEP 2:

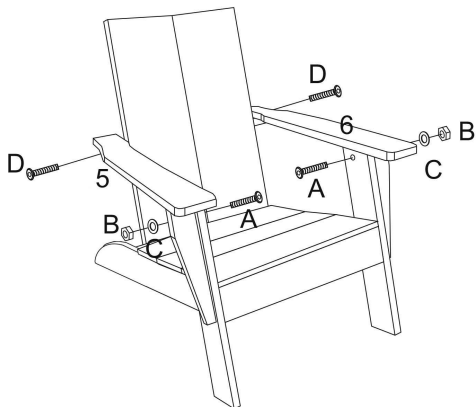
Attach the Back Panel (4) to the Seat Panel (1) using two 40mm Bolts (A), Washers (C), and Nuts (B).



STEP 3:

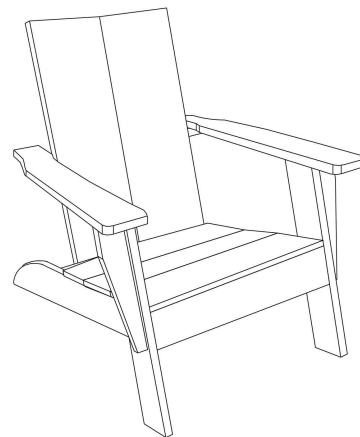
Attach the Left and Right Arms (5 & 6) to the Left and Right Legs (2 & 3) using two 40mm Bolts (A), Washers (C), and Nuts (B).

Using the two 50mm Bolts (D) attach the Left and Right Arms (5 & 6) to the Back Panel (4).



STEP 4:

Tighten all Bolts. Assembly complete.



Made in China

For warranty information please see Bellacor.com