

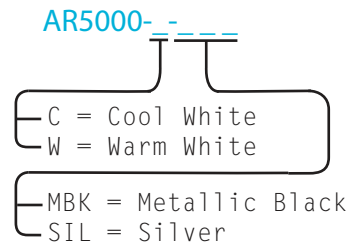
Z-Bar® Floor

LED Floor Lamp

Specifications

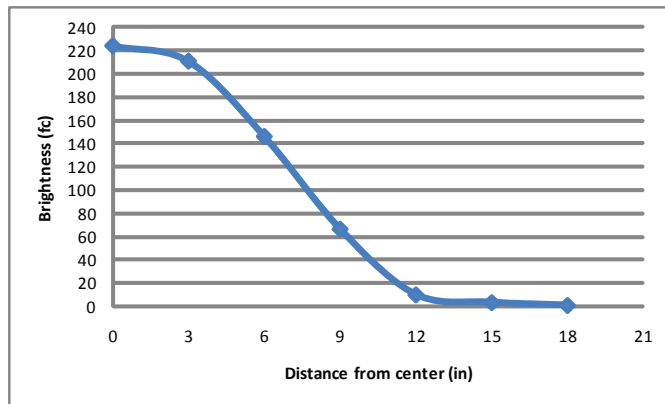
| | |
|-------------------------------------|------------------------------|
| Transformer (100–240 V; 50/60 Hz): | Included – C-UL-US Certified |
| Energy Consumption: | 10.5 watts |
| Number of LEDs: | 42 LEDs |
| LED Rated Lifespan: | 50,000 hours |
| Color Temperature (Typical) – Cool: | 4,500 K |
| Color Temperature (Typical) – Warm: | 3,500 K |
| Color Rendering Index (CRI): | 85 |
| Dimmer: | Built-in touchstrip |
| Brightness Adjustability: | Continuous |
| Color Finish: | Metallic Black, Silver |
| Material: | Aluminum/Plastic |
| Cord Color: | Black |
| Cord Length: | 9' |

Model number



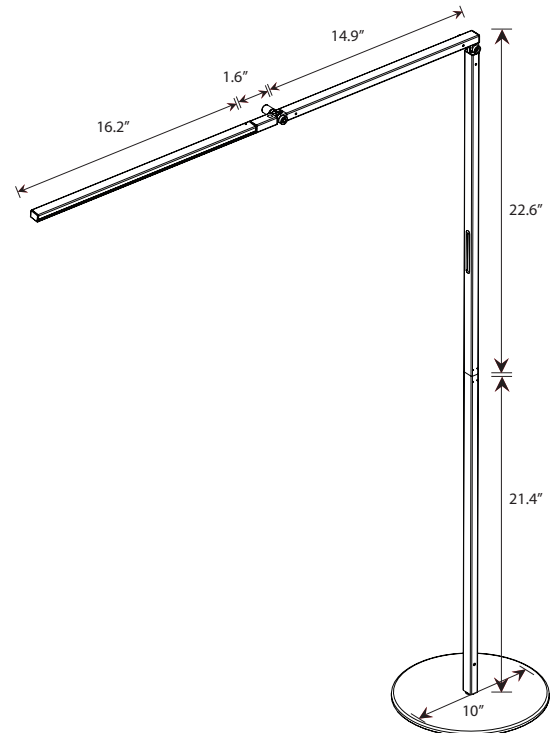
Photometrics

Light source placed at 15" away from worksurface



Dimensions

Horizontal and vertical reach



LEED credit eligibility

Energy & Atmosphere (EA)

Credit 1.1: Optimize Energy Performance

LED lighting to reduce energy consumption.
(Potential points: 3)

Innovation In Design (ID)

Credit 1.1 - 1.4: Innovation in Design

Z-Bar® Floor brings the original Z-Bar®'s three-bar design for maximum reach and flexibility without the need for a table. The LED head can spin in its socket, sweep side to side, and rotate around the end of the arm to point in any direction. The lamp also features a built-in touchstrip for flicker-free touch sensitive dimming.
(Potential points: 4)

Materials & Resources (MR)

Credit 4.1: Recycled Content - 10%

Lamps contain parts made out of 10% pre-consumer recycled content.
(Potential points: 1)

Credit 4.2: Recycled Content - 20%

Lamps contain parts made out of 20% pre-consumer recycled content.
(Potential points: 2)

Environmental considerations

Lamp contains 55% preconsumer recycled material by weight*
Aluminum housing is fully recyclable
All color finishes use water-based paint
All cardboard used in packaging is FSC certified
LEDs do not contain mercury

*in standard configuration (includes transformer and weighted base)

Accessories (*optional)



Occupancy sensor*
(P7-01-OCC01A)

KONCEPT