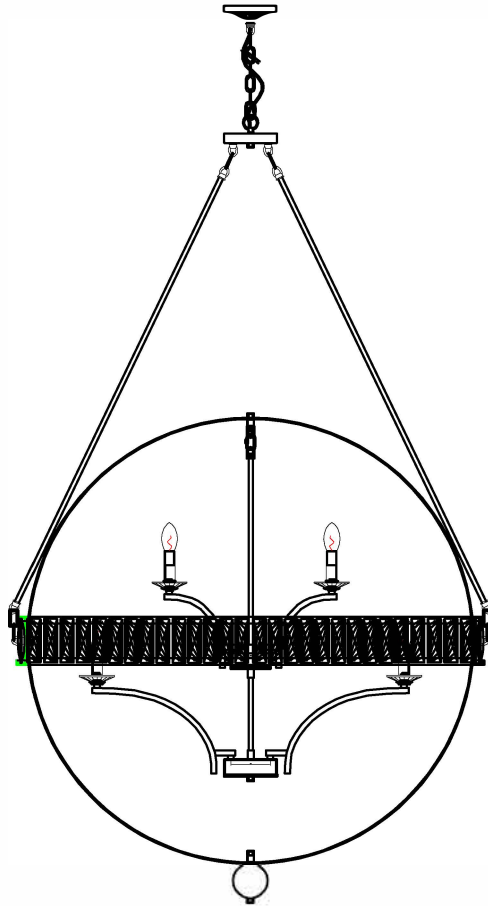


Product Name: Pendant lamp
Model :9957P42-12-101
120Vac, 60Hz,AC ONLY
Lamp Size:D42H69-H187"**

Trade Mark:
CRYSTAL WORLD INC



PENDANT LAMP ASSEMBLY INSTRUCTIONS

1. Install bulb(NOT INCLUDED).USE 120V E12  12*60W Max.

