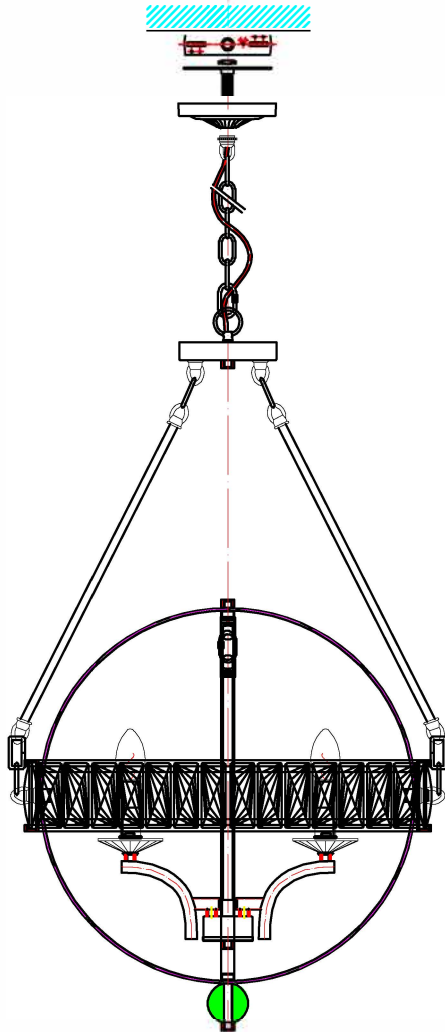


Product Name: Pendant lamp  
Model :9957P30-6-101  
120Vac, 60Hz, AC ONLY  
Lamp Size: D30" \* H53" \* H171"

Trade Mark:  
CRYSTAL WORLD INC

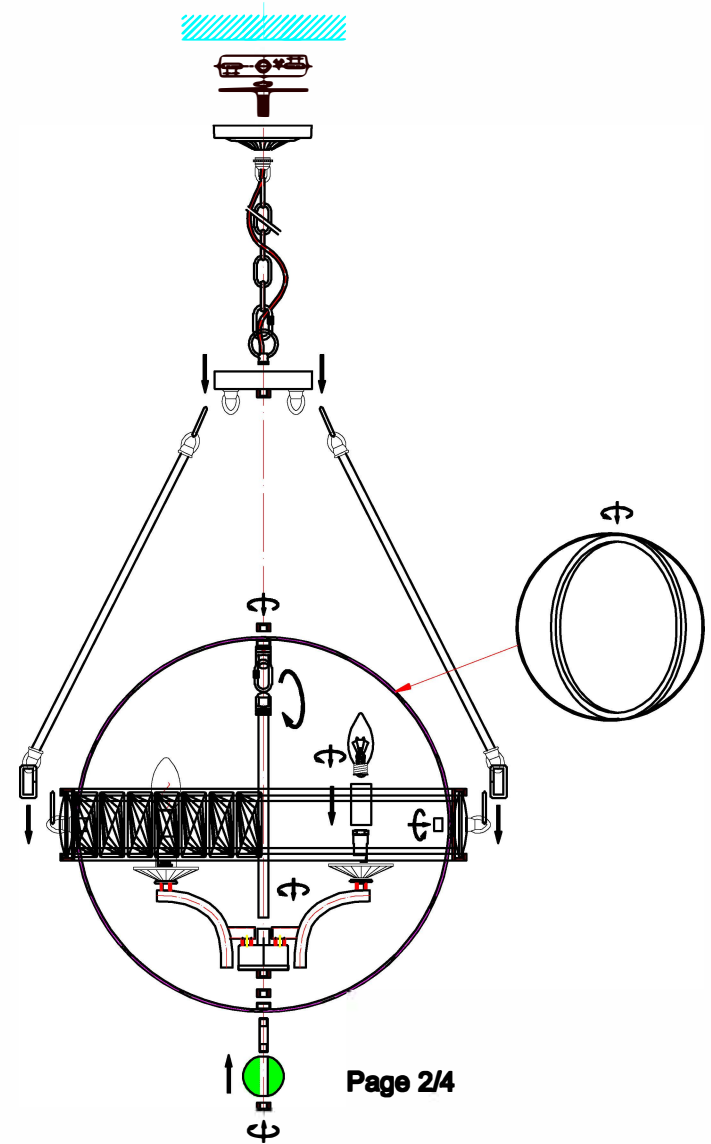


Page 1/4



## PENDANT LAMP ASSEMBLY INSTRUCTIONS

1. Install bulbs (NOT INCLUDED). USE 120V E12 6\*40W Max.



Page 2/4