

CRYSTORAMA

1958
 95 Cantiague Rock Road, Westbury NY 11590
 ph:516.931.9090 fax:516.931.1254
 info@crystorama.com www.crystorama.com

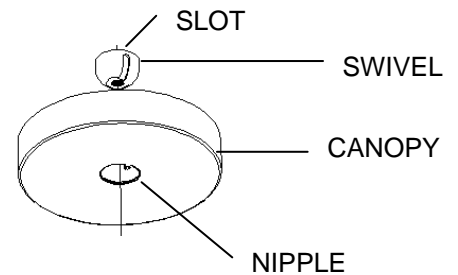
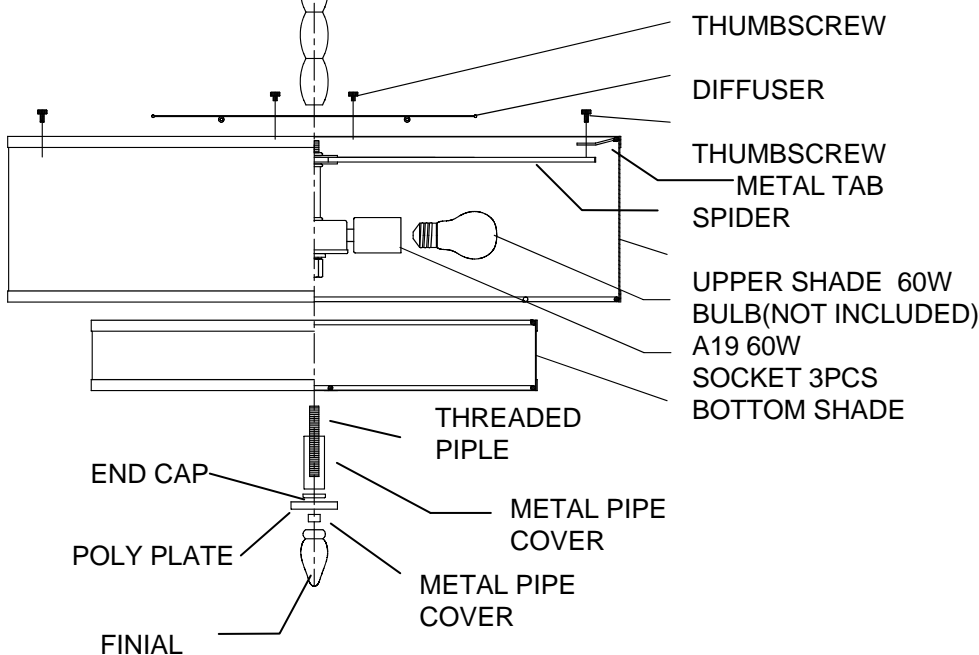
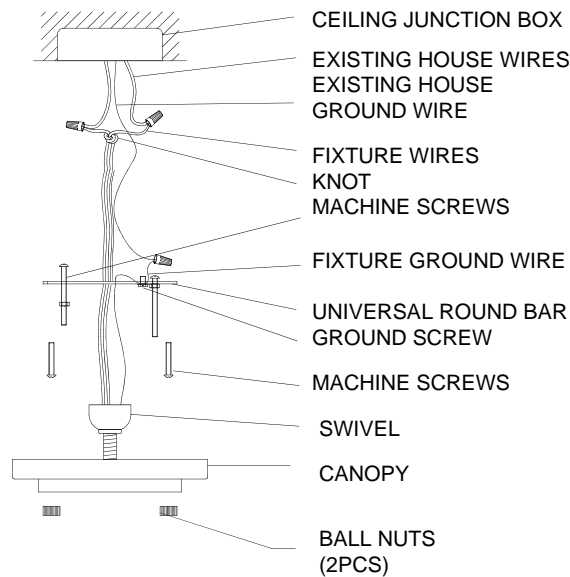
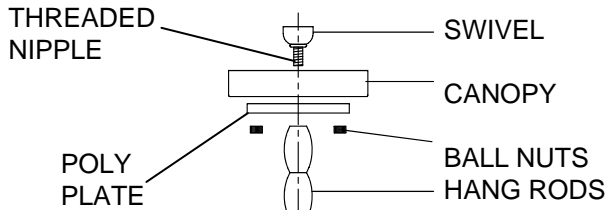
MODEL#:9507-SN ASSEMBLY AND DRESSING INSTRUCTIONS



All electrical components must be installed by a licensed electrician in accordance with the National Electric Code and the appropriate local electrical codes.



You will need 5 - Med.Bulb
 40 Watts Recommended
 60Watts Max
 Bulb not included



NOTICE: PLEASE LINE UP THE SWIVEL SLOT WITH THE NIPPLE ON THE CANOPY'S CENTER HOLE!!!

2014-12-25

CRYSTORAMA

1958
95 Cantiague Rock Road, Westbury NY 11590
ph:516.931.9090 fax:516.931.1254
info@crystorama.com www.crystorama.com

MODEL#:9507-SN ASSEMBLY AND DRESSING INSTRUCTIONS

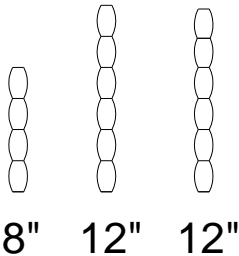


All electrical components must be installed by a licensed electrician in accordance with the National Electric Code and the appropriate local electrical codes.

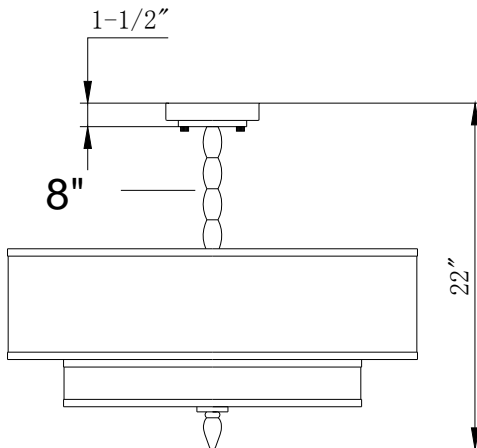


You will need 5 - Med.Bulb
40 Watts Recommended
60Watts Max
Bulb not included

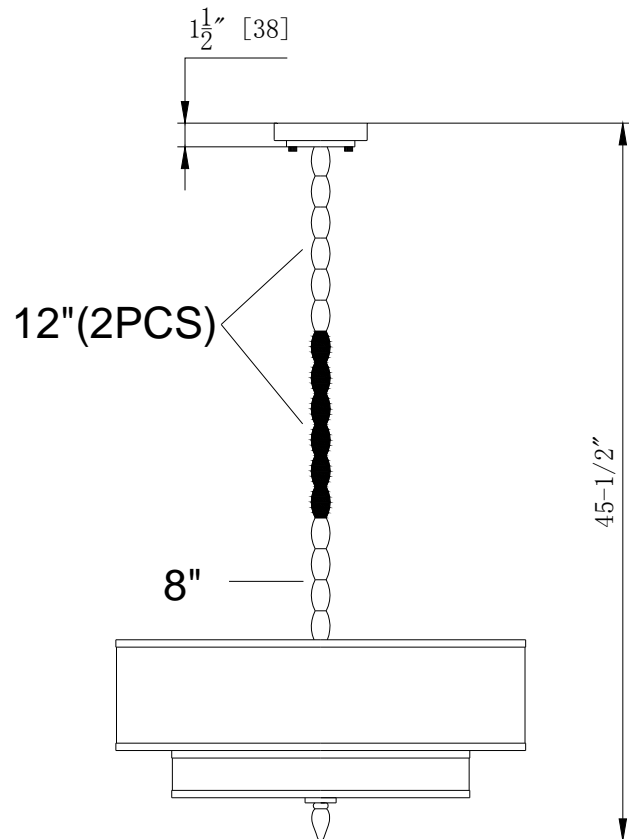
1-8"+2-12" stems included



smallest height with a 8" stem



tallest height with 1X8"+2X12" stems



2014-12-25