

CRYST RAMA



1958

95 Cantiague Rock Road, Westbury NY 11590

ph:516.931.9090 fax: 516. 931.1254

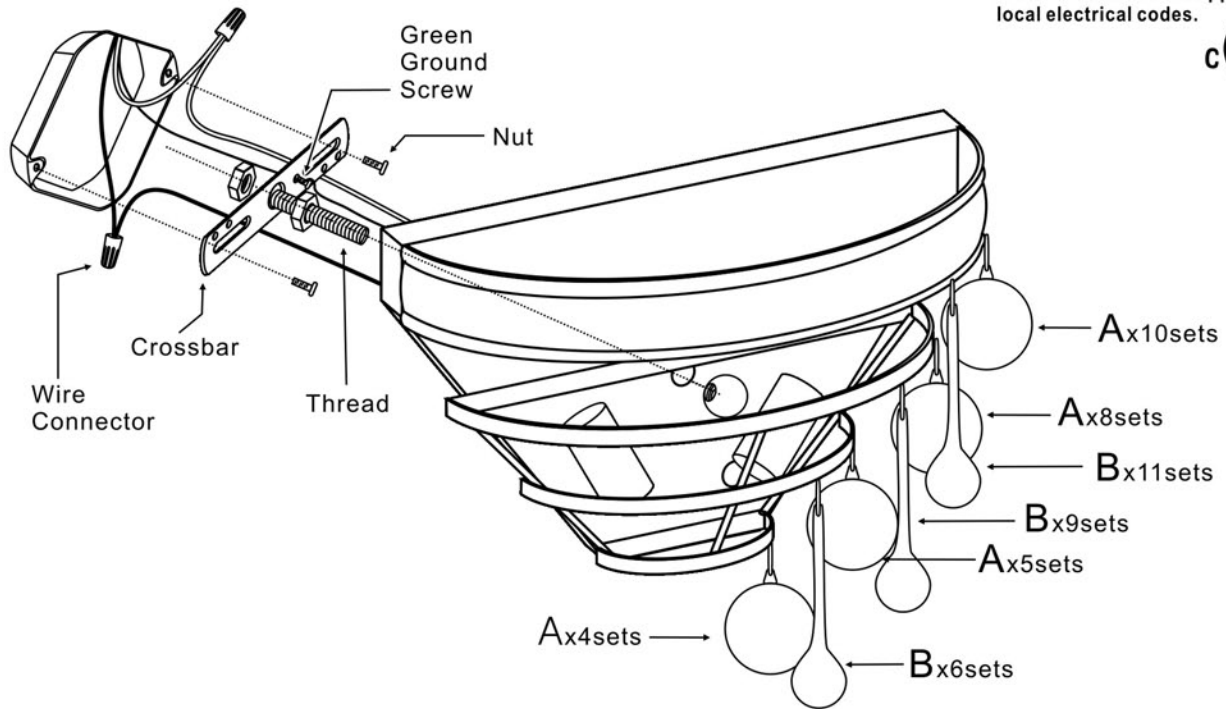
info@crystorama.com www.crystorama.com

MODEL#:132 ASSEMBLY AND DRESSING INSTRUCTIONS

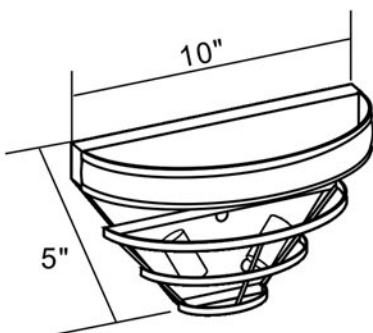
WARNING:

Electrical Danger Turn Power Off

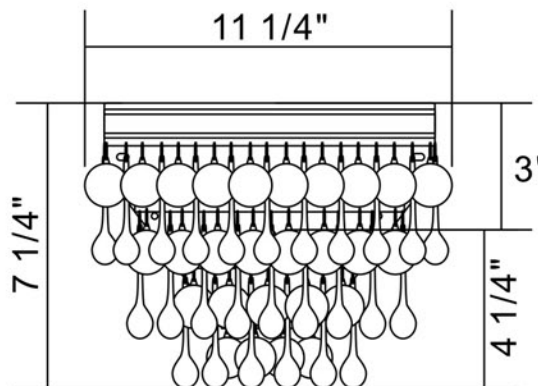
All electrical components must be installed by a licensed electrician in accordance with the National Electric Code and the appropriate local electrical codes.



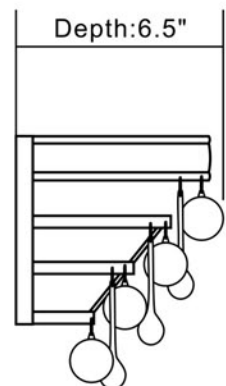
Back Plate



Front View



Side View



A= 30mm*27sets (Spare Part: 1set)

B= 76mm*26sets (Spare Part: 2sets)

You will need 2 - Cand. Bulb
40 Watts Recommended
60 Watts Max
Bulb not included.