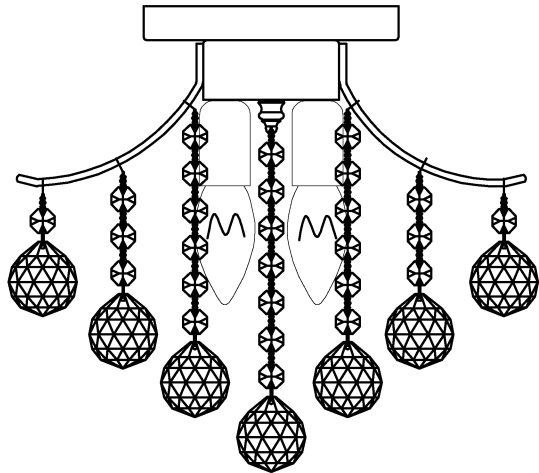


Trade Mark:
CRYSTAL WORLD INC

Product Name: Ceiling lamp
Model :8012C12C
120Vac, 60Hz,AC ONLY
Lamp size:Ø12"XH11"

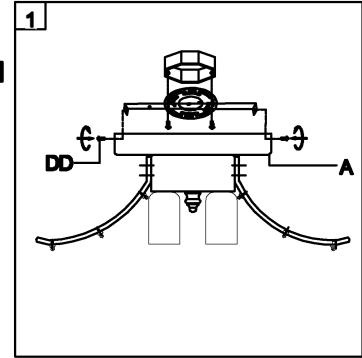


CEILING LAMP ASSEMBLY INSTRUCTIONS

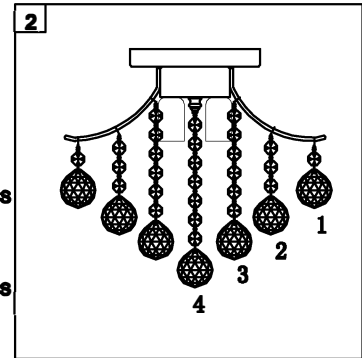
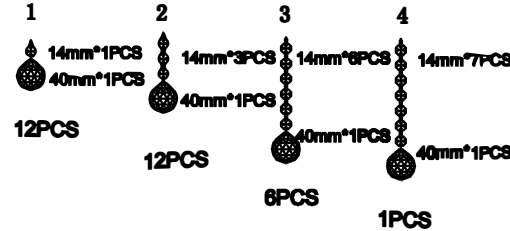
- Place fixture (A) onto Crossbar (EE).
secure with Mounting screw (DD).
Note:The fixture (A) should be installed
with the sockets facing down.


Hardware Used

DD Mounting screw  X 2



- Please put the crystal(1) (2) (3) (4)
to the fixture .



- Install light bulbs (not included).
Use bulb
120V E12  3*40W Max.

