

**ASSEMBLY INSTRUCTIONS**  
**COASTER FINE FURNITURE**



*Fine Furniture for every stage of life*

**100952**  
**ARM CHAIR**

ITEM: **100952**



## ASSEMBLY INSTRUCTIONS

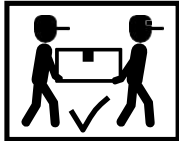
### ASSEMBLY TIPS:

1. Remove hardware from box and sort by size.
2. Please check to see that all hardware and parts are present prior to start of assembly.
3. Please follow attached instructions in the same sequence as numbered to assure fast & easy assembly.



### WARNING!

1. Don't attempt to repair or modify parts that are broken or defective. Please contact the store immediately.
2. This product is for home use only and not intended for commercial establishments.



ASSEMBLY TIME

15MINUTES



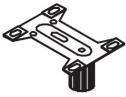
## PARTS IDENTIFICATION

A	LEFT ARMREST		1
B	RIGHT ARMREST		1
C	LEFT BACKREST		1
D	RIGHT BACKREST		1
E	SEAT		1
F	BACK CUSHION		1
G	BASE		1
H	CASTER		5



**ITEM:100952**



## PARTS IDENTIFICATION

I	WOODEN COVER		1
J	SUPPORTING BAR		1
K	SEAT PLATE		1

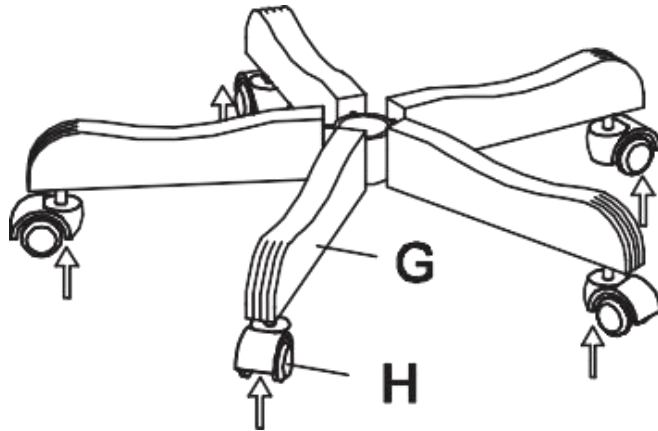
## HARDWARE IDENTIFICATION

1	LARGE BOLT (1/4*40)		4
2	SMALL BOLT (1/4*25)		4
3	METAL WASHER (5/16*19)		12
4	HEX NUT (5/16*13)		8
5	WOODEN PLUG (12.5*9)		4
6	GLUE		1
7	ALLEN WRENCH (5/16)		1
8	LARGE SPRING WASHER (5/16)		8
9	SMALL SPRING WASHER (1/4)		4

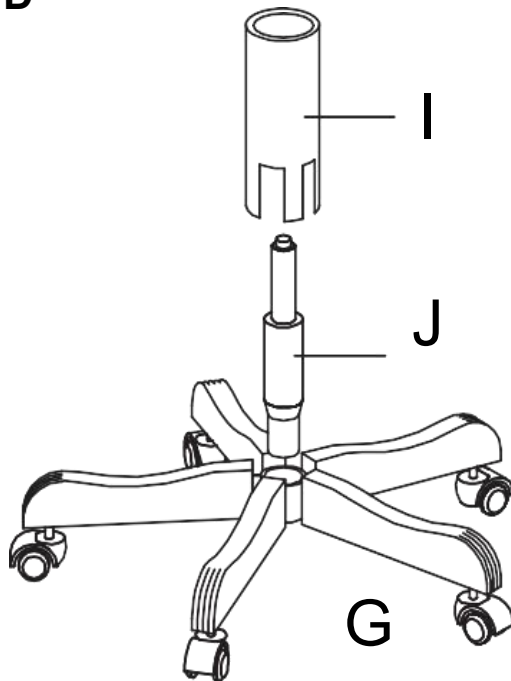
ITEM: **100952**



**ASSEMBLY INSTRUCTIONS**  
**LOWER BED END**  
**STEP 1**



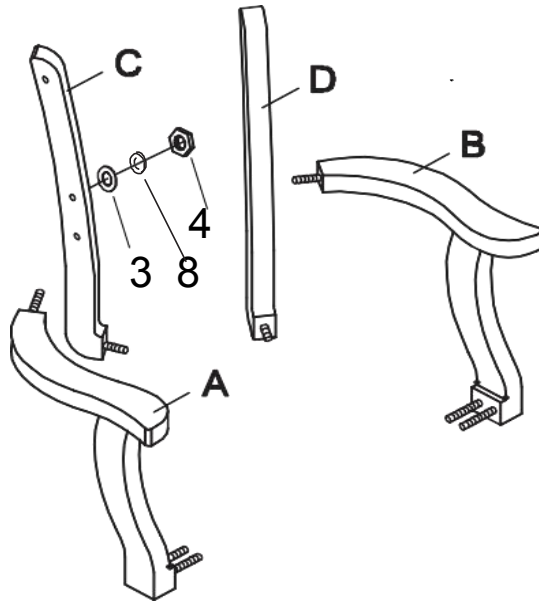
**UPPER BED END**  
**STEP 2**



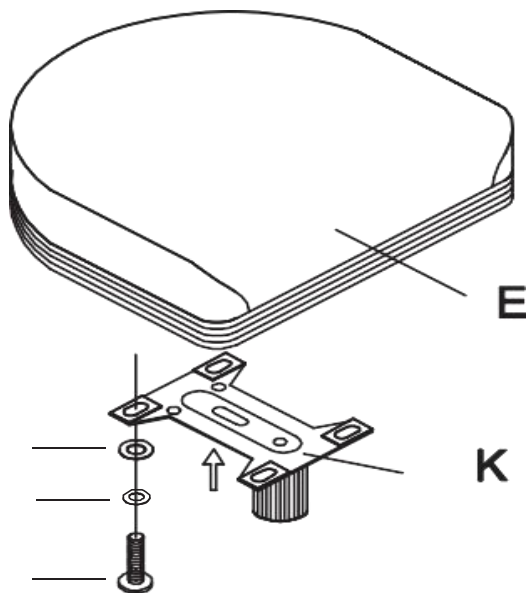
ITEM: **100952**



**ASSEMBLY INSTRUCTIONS**  
**LOWER BED END**  
**STEP 3**



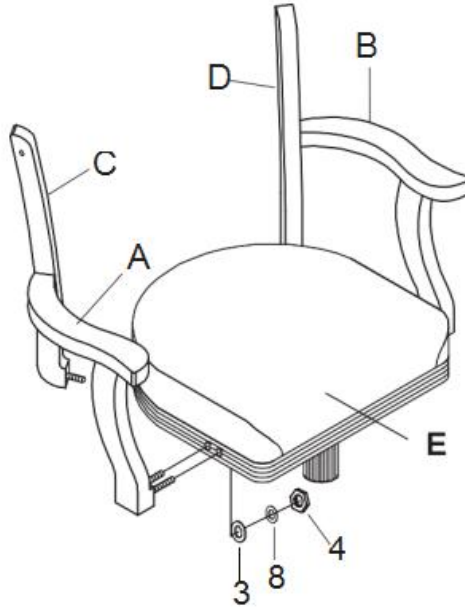
**UPPER BED END**  
**STEP 4**



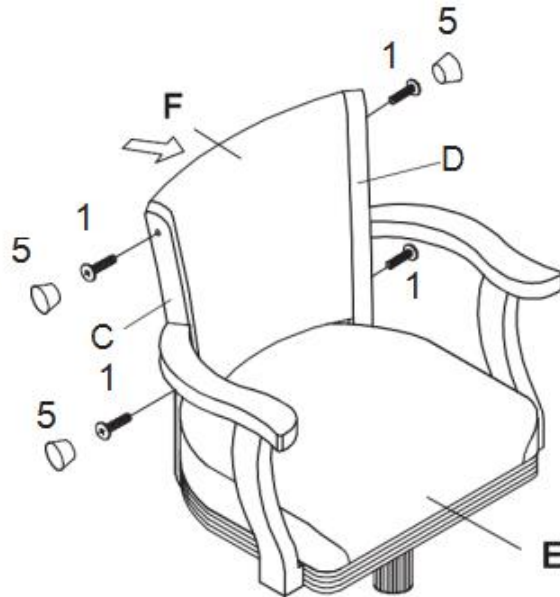
ITEM: **100952**



**ASSEMBLY INSTRUCTIONS**  
**LOWER BED END**  
**STEP 5**

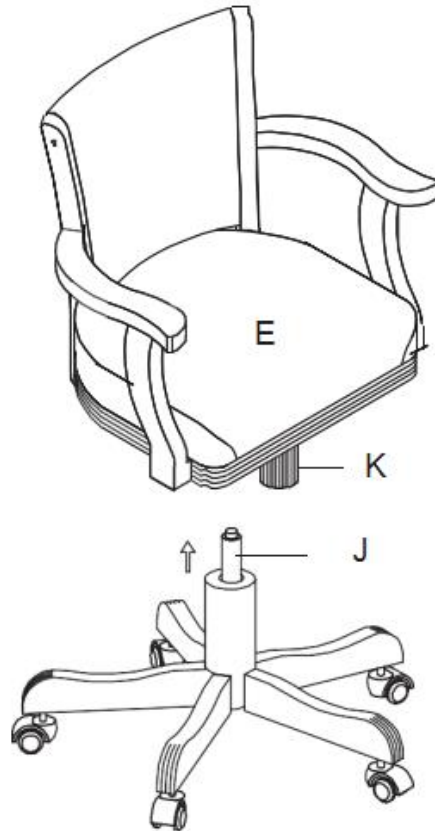


**UPPER BED END**  
**STEP 6**

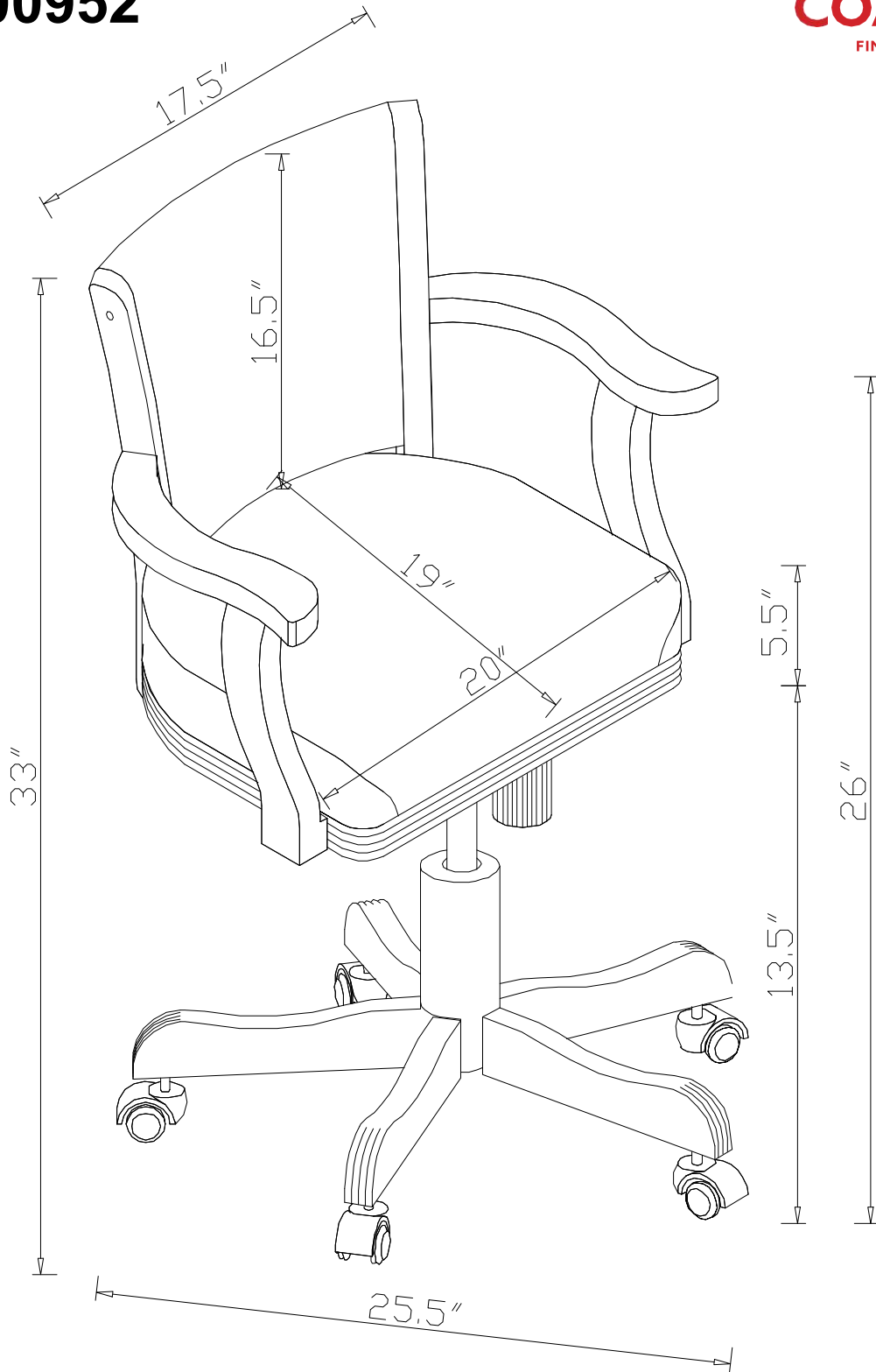


ITEM: **100952**

**ASSEMBLY INSTRUCTIONS**  
**LOWER BED END**  
**STEP 7**



ITEM: **100952**



Note: Dimension tolerance  $\pm 5\%$