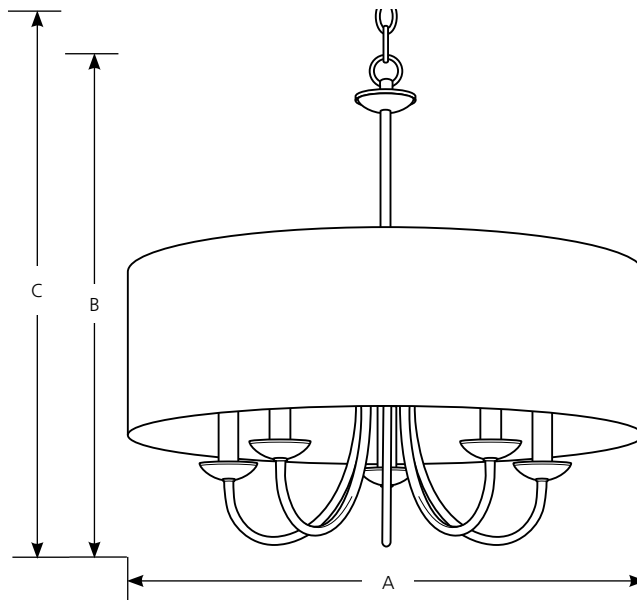


Type _____
 -09 -20

P4217

Catalog No.	Finish		Lamping	Dimensions (Inches)		
	Brushed Nickel	Antique Bronze		A	B	C
P4217	-09	-20	5 (c) 60w	21-5/8	21-1/8	66-1/8



Specifications:

General

- Off-white linen fabric shade
- Candle-Style Chandelier
- Plated Brushed Nickel (-09) finish
- Painted Antique Bronze (-20) finish
- Steel construction
- 42" of 9 gauge chain included
- Coordinate with a variety of collections, including Inspire, Gather and Heart

Electrical

- Candelabra base phenolic sockets
- 10 feet of wire supplied
- Pre-wired

Labeling

- UL-CUL Dry location listed

Mounting

- Ceiling chain mount
- Canopy covers a standard 4" hexagonal recessed outlet box
- Mounting strap for outlet box included