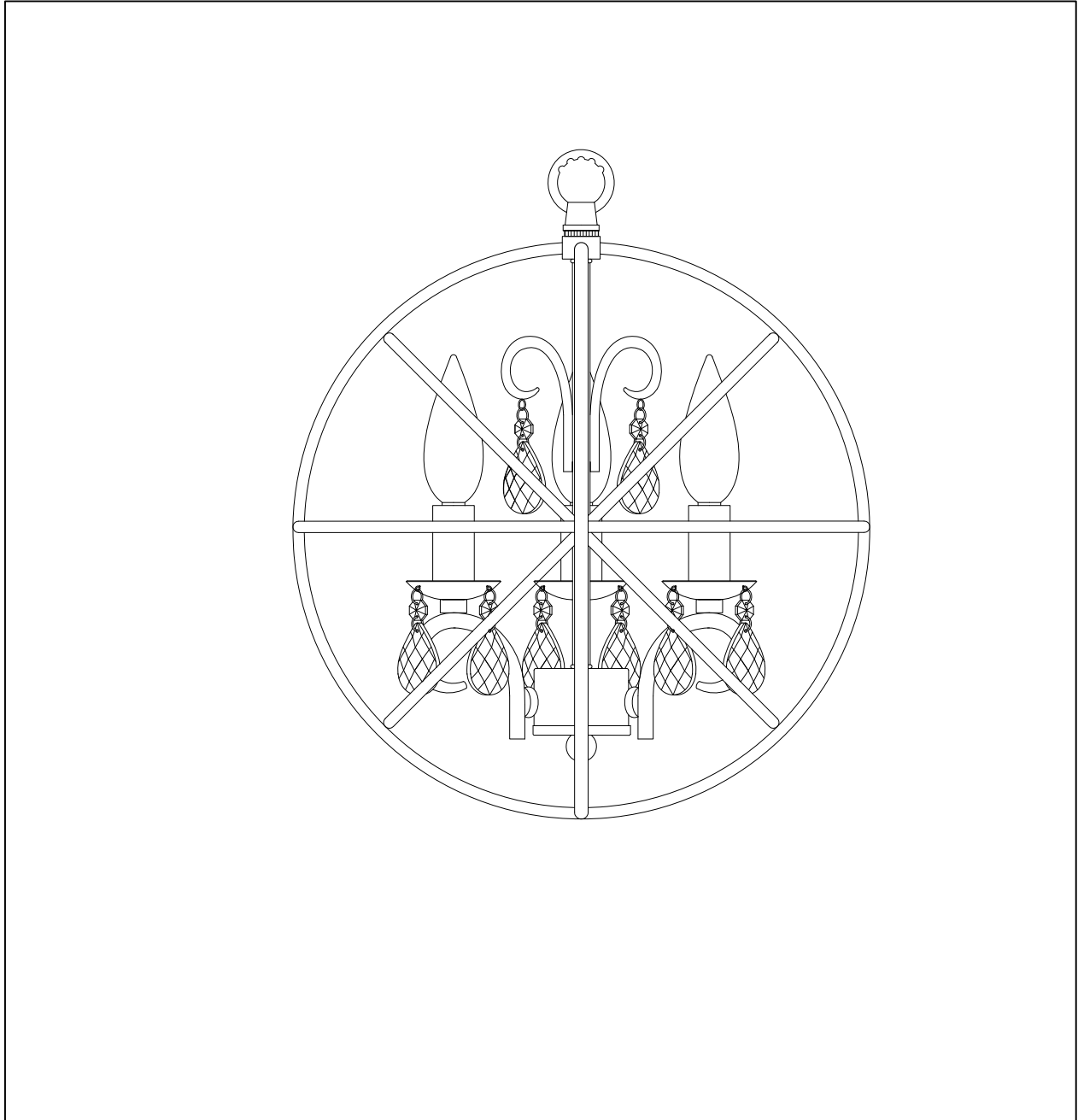


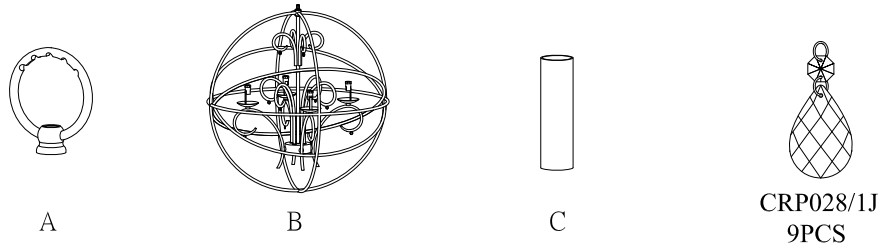
PRODUCT NAME: Orbit 3-light chandelier  
ITEM NUMBER: 251400I

Please consult your electrician for hanging fixture and wiring.

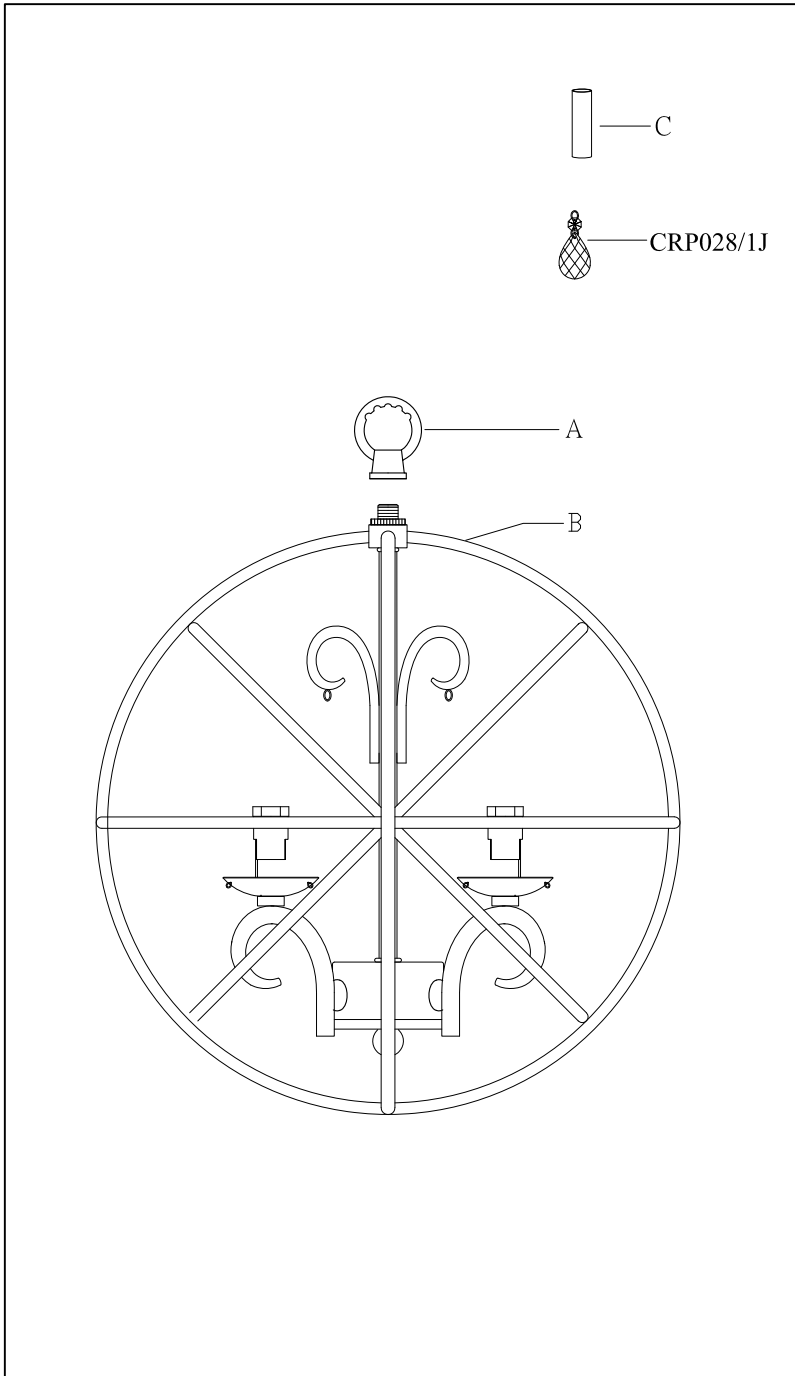


Bulb(not included): 3-60 Watt Candelabra Base Bulbs

**IMPORTANT:** Turn off the power at the main fuse or circuit breaker box before starting installation



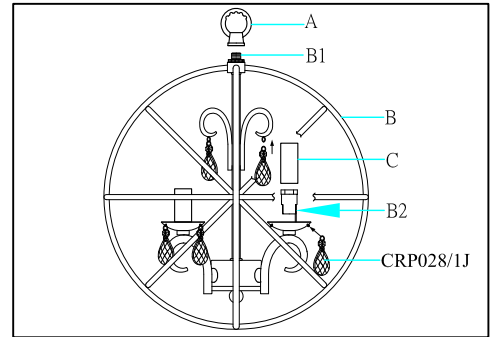
Locate all hardware & components before discarding packaging



**Cleaning & Care:**

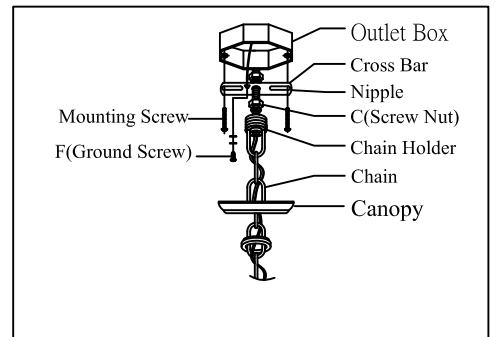
Clean with soft cloth and a mild detergent.  
 Do not use abrasive cleaner.

1.)



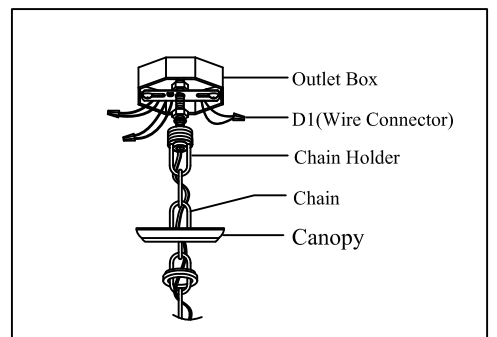
Step.1: Install top loop (A) to center stem (B1) and attach desired amount of chain to loop to achieve desired mounting height. Thread wire through every 3rd loop of chain. Place candle covers (C) over sockets (B2).

2.)



Step.2: Attach cross bar to mounting bracket. Remove ring from loop and slide down chain. Place canopy onto chain and let slide to top of fixture. Install nipple on cross bar above chain holder.

3.)



Step.3: Wire fixture to wires in outlet box. Copper wire is for Ground. Pull canopy through screw ring up chain to ceiling and tighten securely.