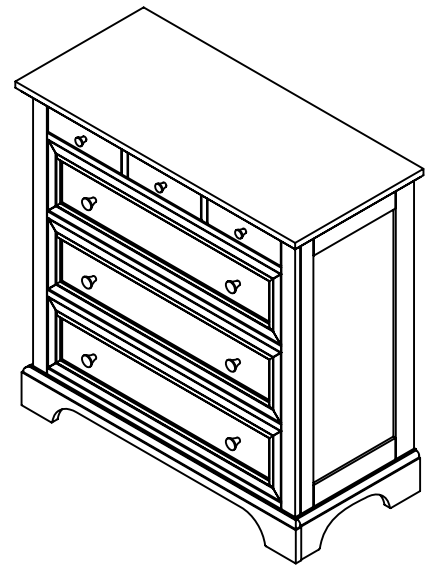


# 88 5531 41 Bedford Drawer Chest (Ebony Finish)



## IMPORTANT NOTE

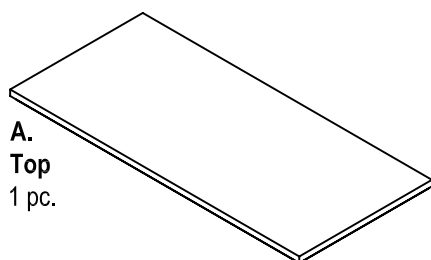
Carefully remove all the parts from the carton and put them individually on a soft cloth to prevent scratches or other damages occurring to the wood parts.

We have taken great care in the design of this product and request that you carefully and strictly follow our assembly instructions to ensure a completed product as it was designed.

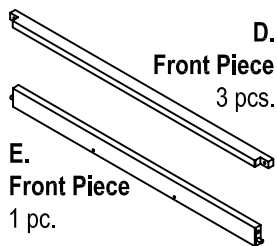


Casual Attire For Today's Home

## Part List

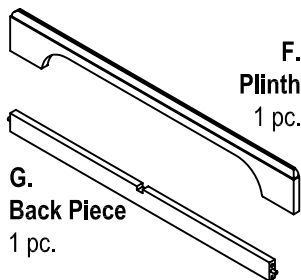


**A.**  
Top  
1 pc.



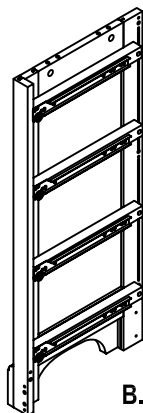
**D.**  
Front Piece  
3 pcs.

**E.**  
Front Piece  
1 pc.

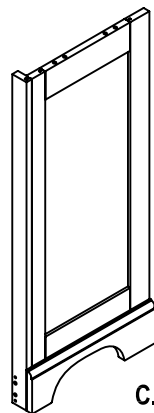


**F.**  
Plinth  
1 pc.

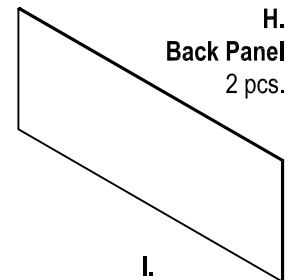
**G.**  
Back Piece  
1 pc.



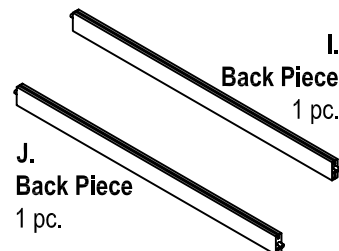
**B.**  
Side Panel  
1 pc.



**C.**  
Side Panel  
1 pc.

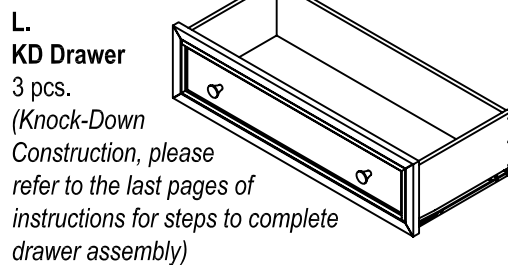


**H.**  
Back Panel  
2 pcs.

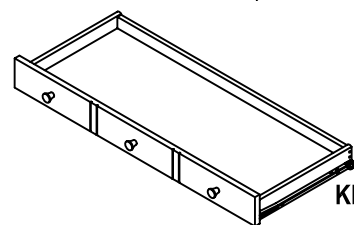


**I.**  
Back Piece  
1 pc.

**J.**  
Back Piece  
1 pc.

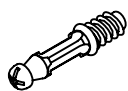


**L.**  
KD Drawer  
3 pcs.  
*(Knock-Down Construction, please refer to the last pages of instructions for steps to complete drawer assembly)*



**K.**  
KD Drawer  
1 pc.  
*(Knock-Down Construction, please refer to the last pages of instructions for steps to complete drawer assembly)*

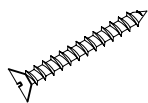
## Hardware List



Cam Lock Screw  
12 pcs. (+1 extra)



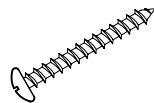
Cam Lock  
12 pcs. (+1 extra)



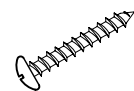
1 1/4" Flat Head Screw  
44 pcs. (+1 extra)



3/4" Flat Head Screw  
24 pcs. (+1 extra)



1 1/4" Round Head Screw  
7 pcs. (+1 extra)



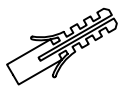
1" Round Head Screw  
6 pcs. (+1 extra)



5/8" Round Head Screw  
13 pcs. (+1 extra)



Machine Screw  
9 pcs.



Anchor  
1 pc. (+1 extra)



Flat Washer  
2 pcs. (+1 extra)



Large Pull Handle  
6 pcs.



Small Pull Handle  
3 pcs.



Wooden Dowel  
8 pcs. (+1 extra)



Tipping Restraint  
1 pc.

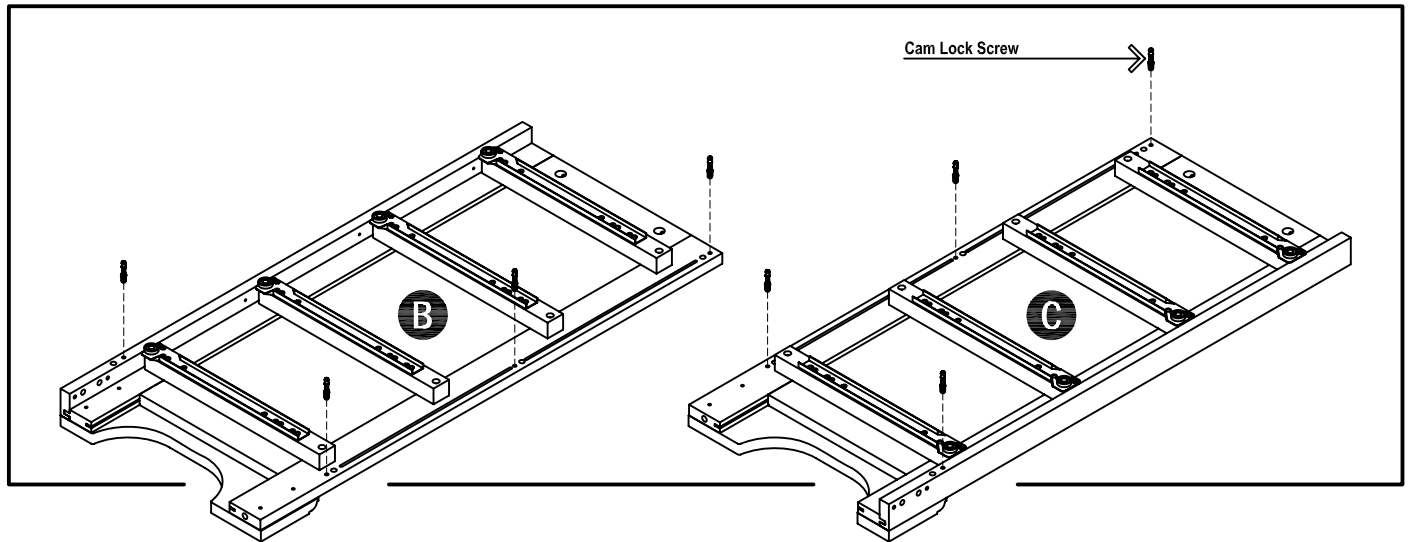
Tools Required For Assembly : Phillips screwdriver

**Home Styles Consumer Assistance Line 888-680-7460 and 877-831-0319**  
**servicedesk@homestyles-furniture.com**

# Assembly Instructions 2/8

## IMPORTANT

Do not tighten up all the screws until each part is properly assembled.



## STEP 1

Insert Cam Lock Screws into the pre-drilled holes of Side Panel (B) and (C).

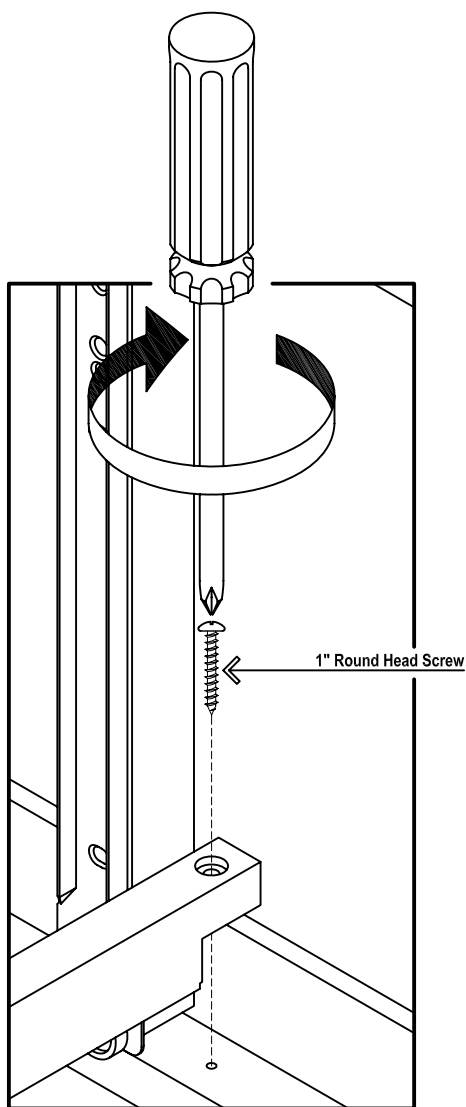
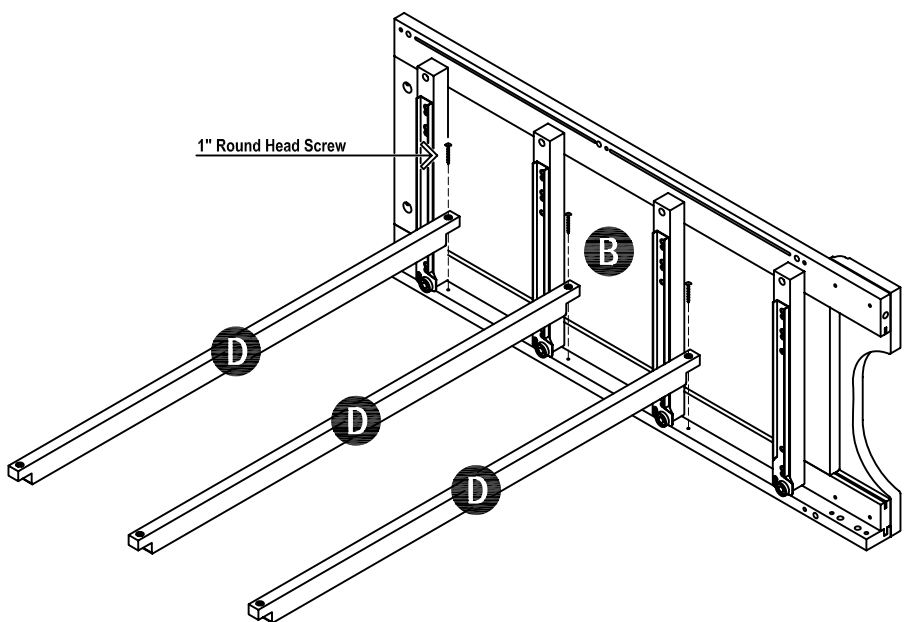


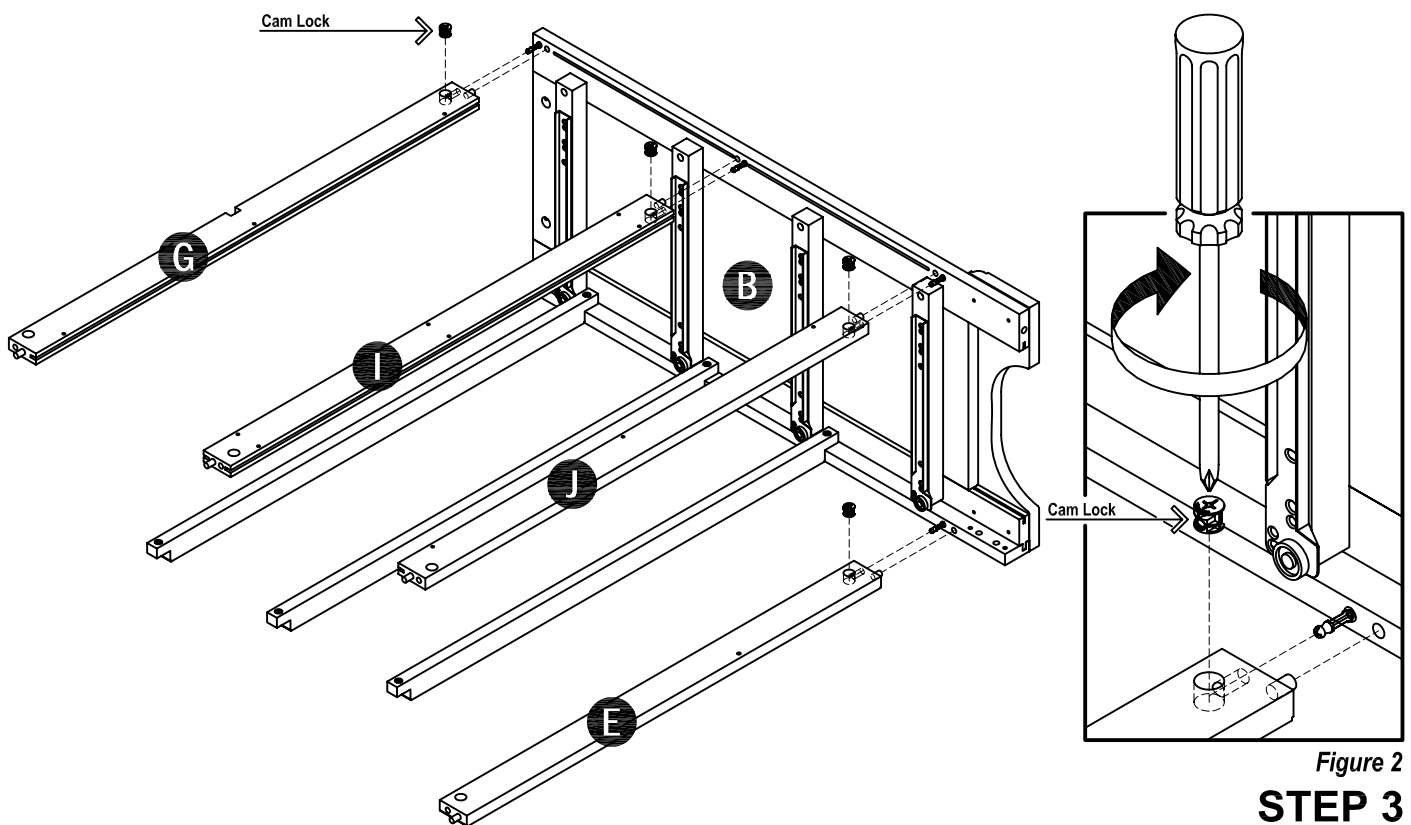
Figure 1



## STEP 2

Attach Front Piece (D) to Side Panel (B) with 1" Round Head Screws. (See figure 1)

## Assembly Instructions 3/8



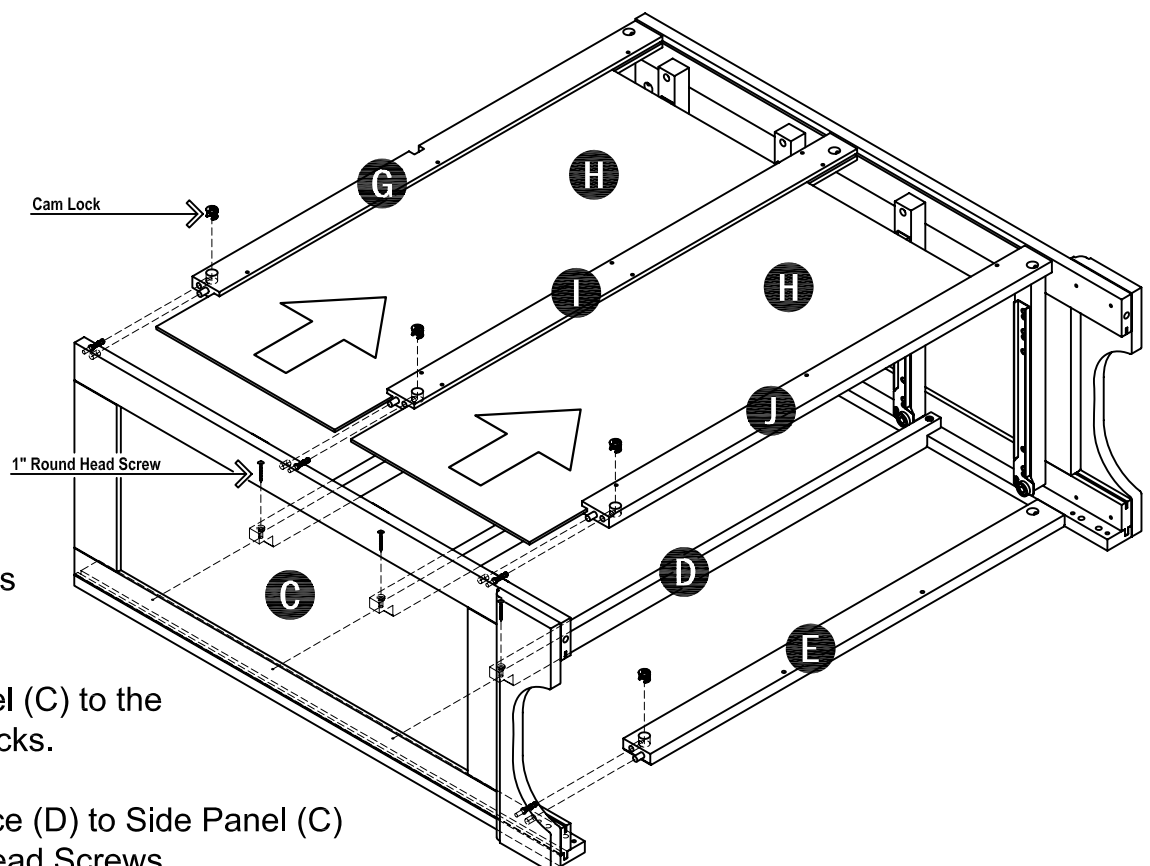
Attach Front Piece (E) and Back Piece (G, I, J) to Side Panel (B) with Cam Locks.  
(See figure 2)

### STEP 4

Slide Back Panels (H) into position.

Attach Side Panel (C) to the unit with Cam Locks.

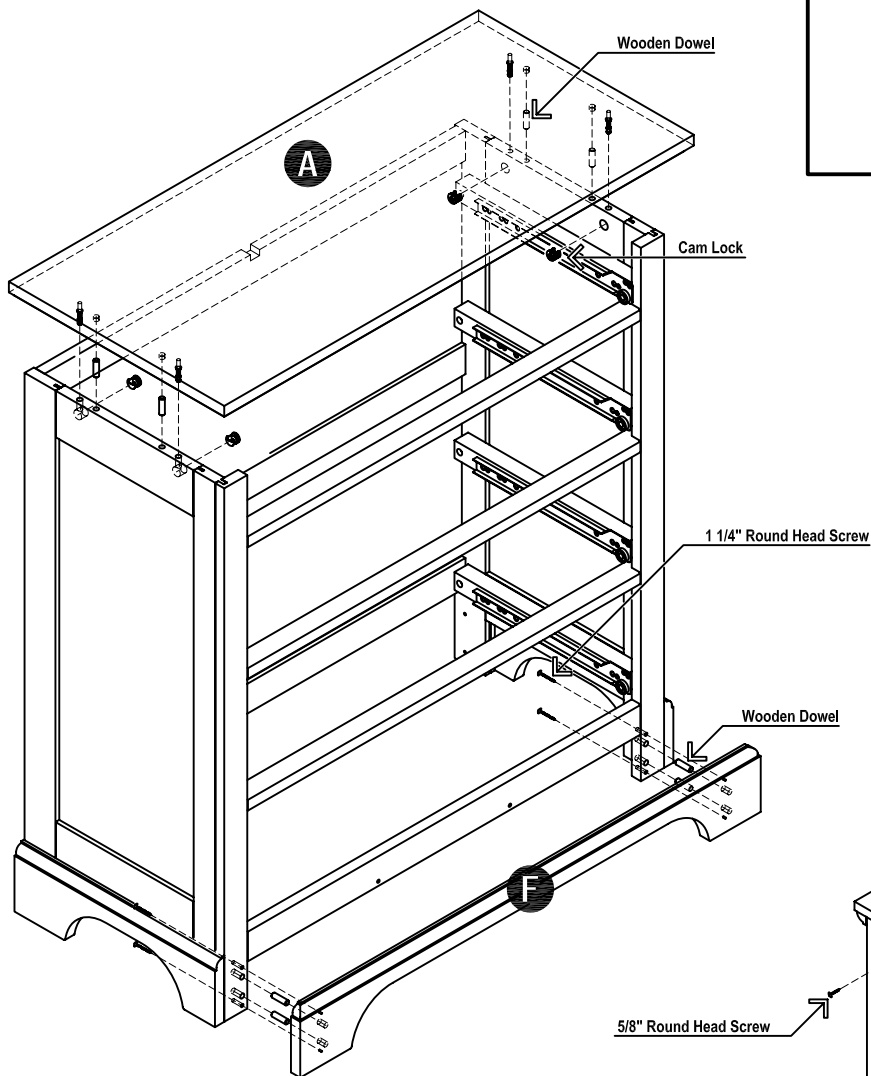
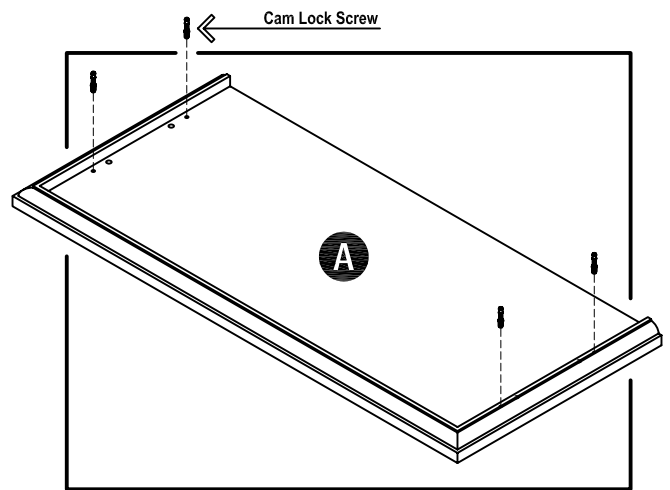
Attach Front Piece (D) to Side Panel (C) with 1" Round Head Screws.



# Assembly Instructions 4/8

## STEP 5

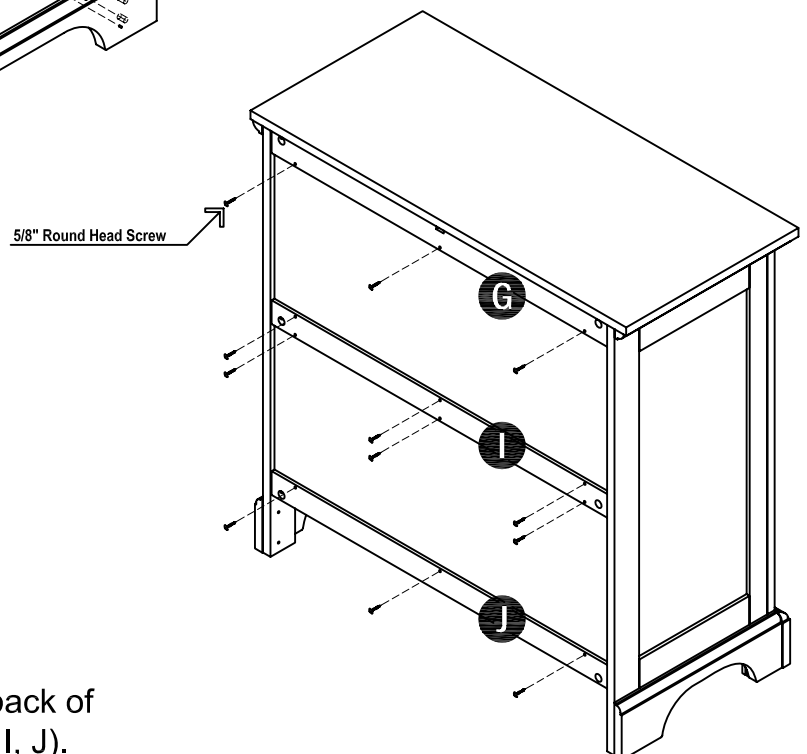
Insert Cam Lock Screws into the pre-drilled holes of Top (A).



## STEP 6

Place Top (A) onto the unit using Cam Locks & Wooden Dowels.

Attach Plinth (F) to the unit using 1 1/4" Round Head Screws & Wooden Dowels.

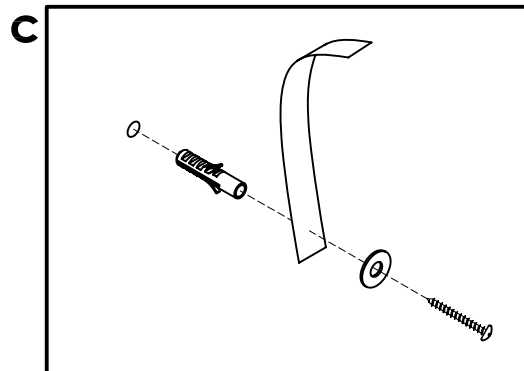
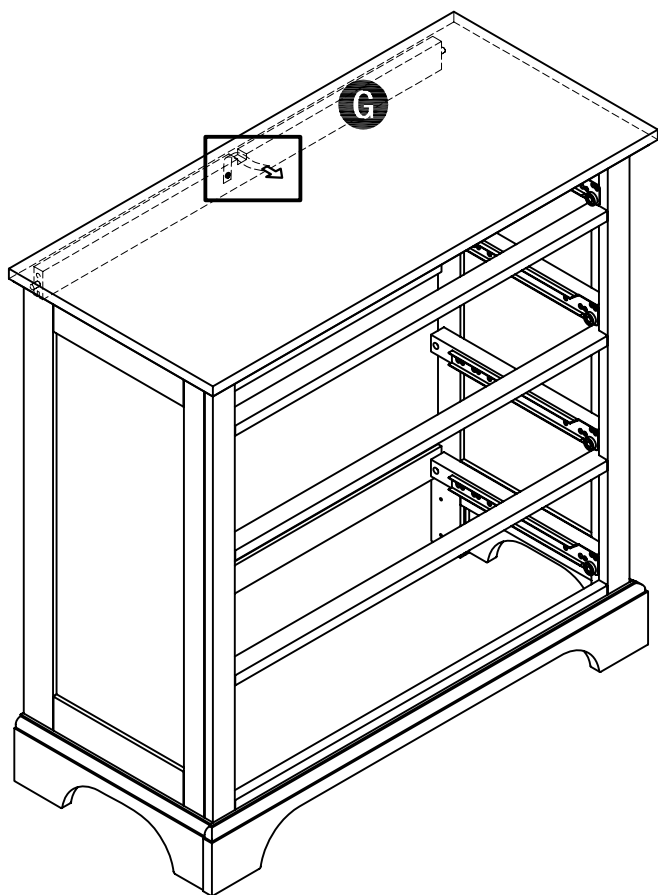


## STEP 7

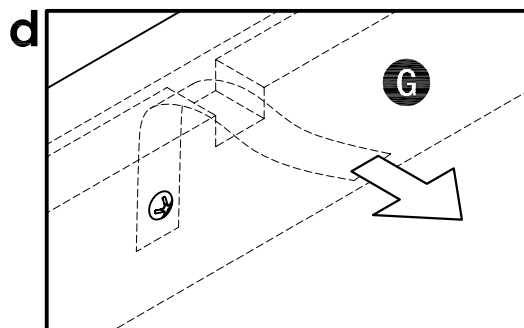
Attach 5/8" Round Head Screws to the back of unit through the holes of Back Piece (G, I, J).

# Assembly Instructions 5/8

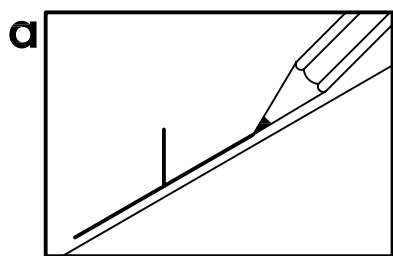
**ATTENTION!** For safety reasons, please follow these instruction to prevent the unit from tipping over.



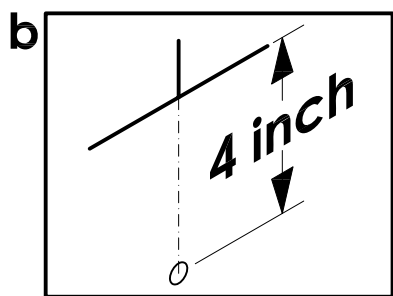
Attach Tipping Restraint to the wall using 1 1/4" Round Head Screw, Flat Washer & Anchor.



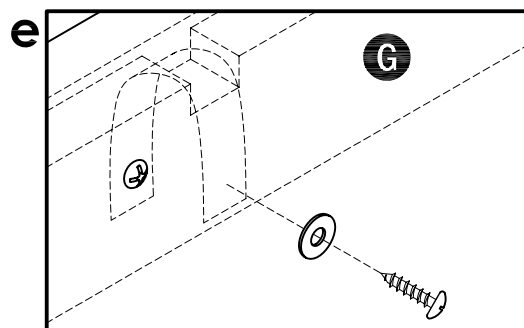
Insert Tipping Restraint to unit through the groove of Back Piece (G).



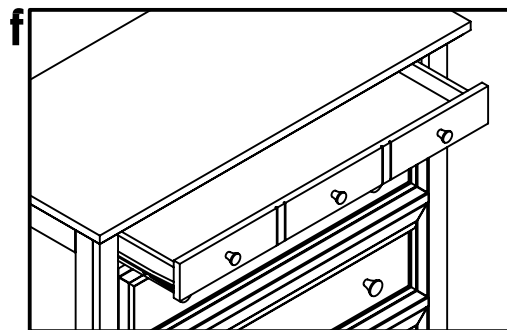
Place the unit on the wall at desired location. Mark with pencil to show the height and center of unit.



Move unit and drill the wall  $\text{Ø}7/32$  inch and  $1\ 3/16$  inch deep with position 4 inch down directly under the mark.

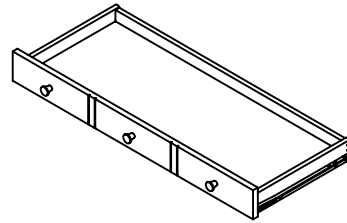


Screw Tipping Restraint to unit using 5/8" Round Head Screw & Flat Washer.



Insert drawers (K, L) into unit.

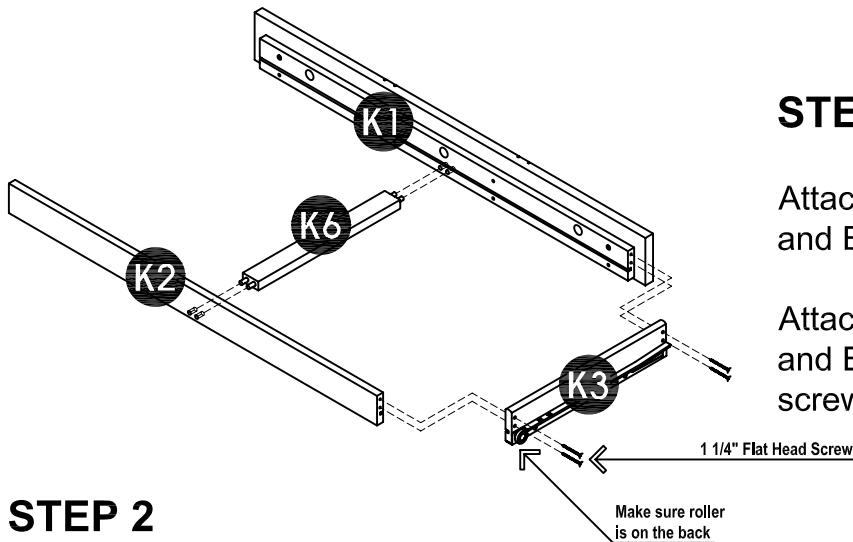
## Drawer (K)



### STEP 1

Attach Base Part (K6) to Front Part (K1) and Back Part (K2).

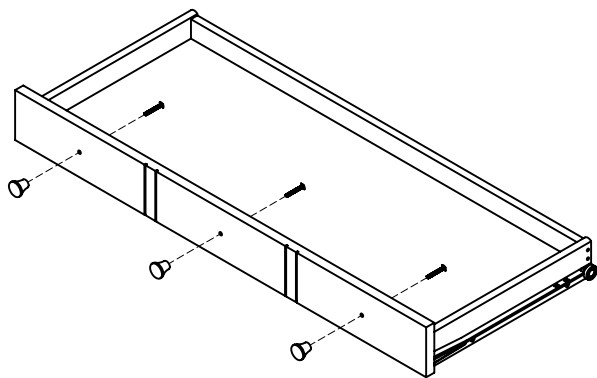
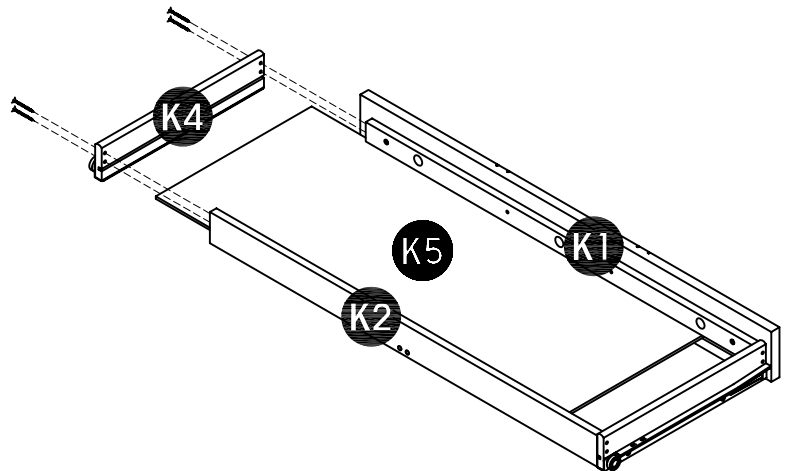
Attach Side Part (K3) to Front Part (K1) and Back Part (K2) using a Phillips screwdriver and 1 1/4" Flat Head Screws.



### STEP 2

Insert Base Part (K5) into the groove.

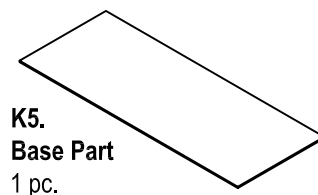
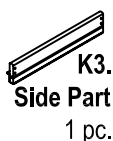
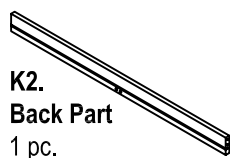
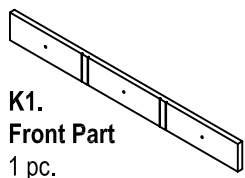
Attach Side Part (K4) to Front Part (K1) and Back Part (K2) using a Phillips screwdriver and 1 1/4" Flat Head Screws.



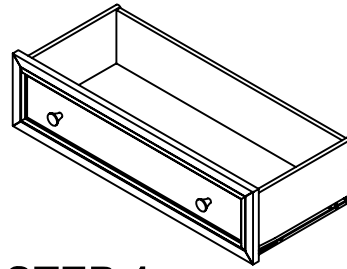
### STEP 3

Attach Small Pull Handles with machine screws.

## Part List



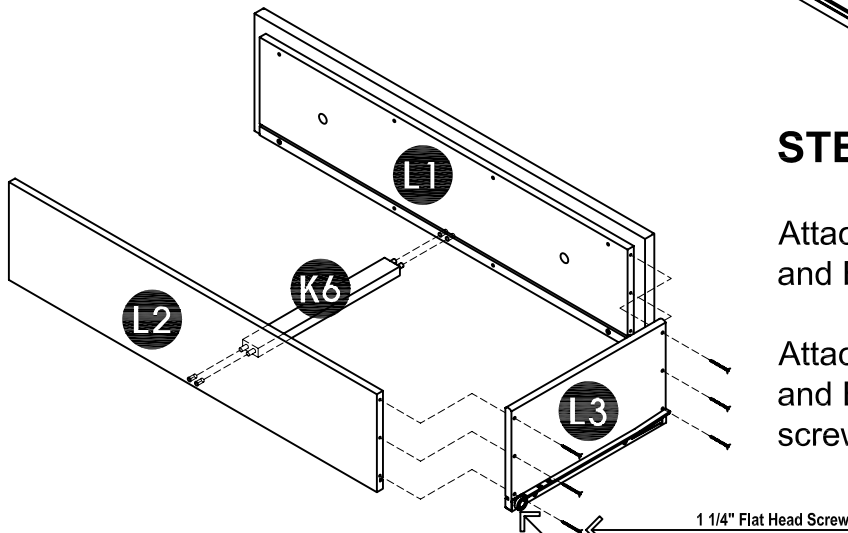
## Drawer (L)



### STEP 1

Attach Base Part (K6) to Front Part (L1) and Back Part (L2).

Attach Side Part (L3) to Front Part (L1) and Back Part (L2) using a Phillips screwdriver and 1 1/4" Flat Head Screws.

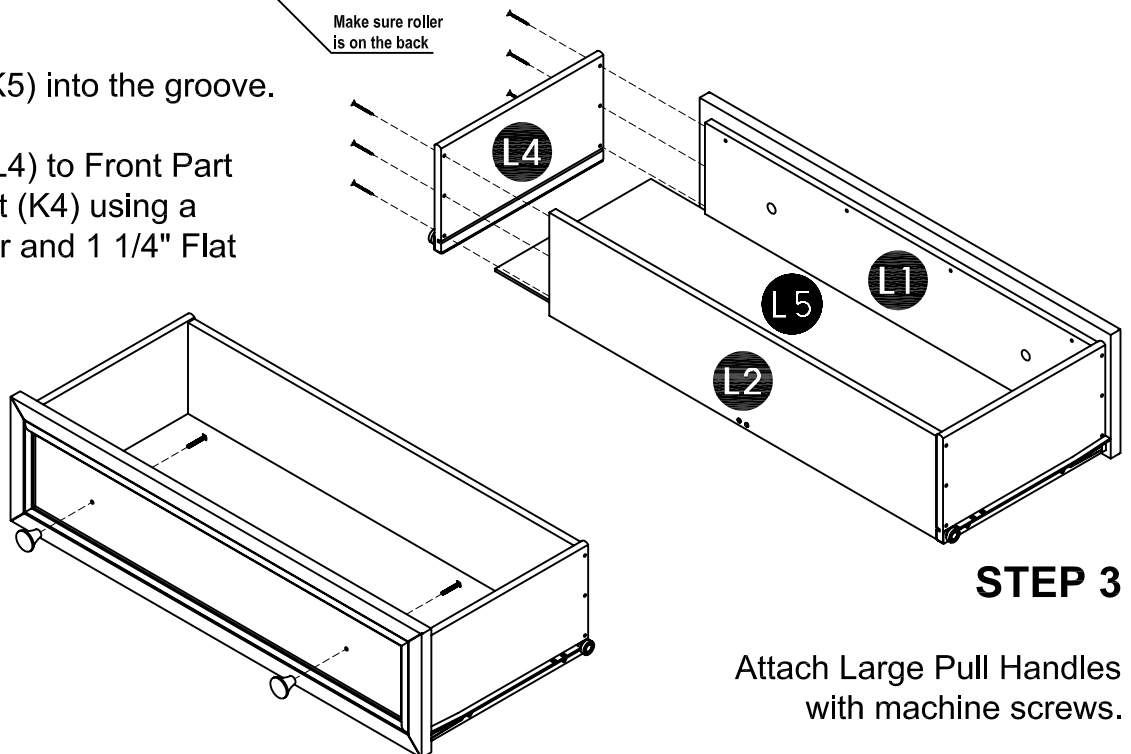


### STEP 2

Insert Base Part (K5) into the groove.

Attach Side Part (L4) to Front Part (K2) and Back Part (K4) using a Phillips screwdriver and 1 1/4" Flat Head Screws.

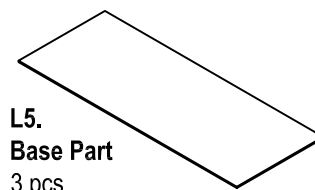
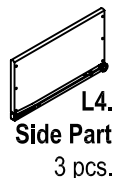
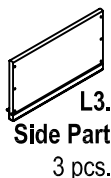
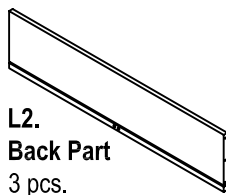
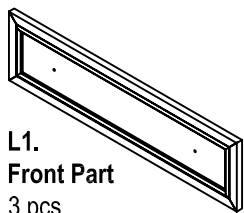
Make sure roller is on the back



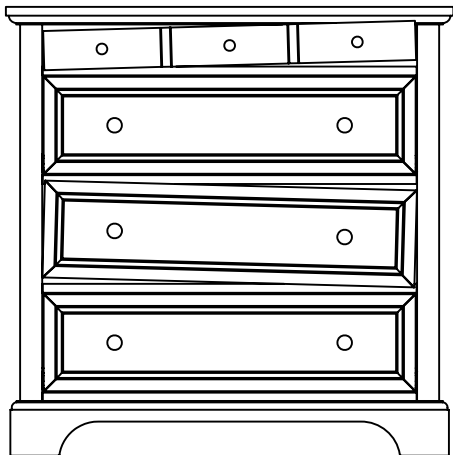
### STEP 3

Attach Large Pull Handles with machine screws.

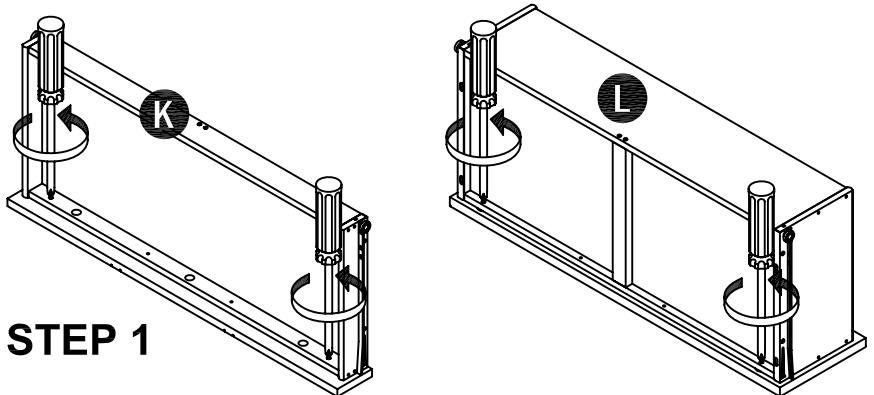
## Part List



# Assembly Instructions 8/8



## I. IF THE DRAWER DOES NOT ALIGN

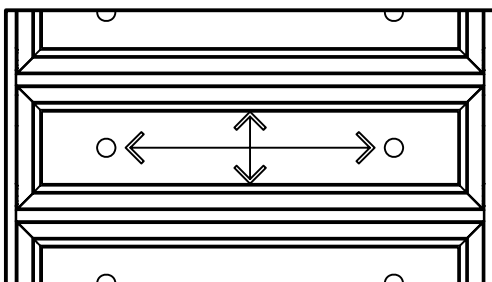


### STEP 1

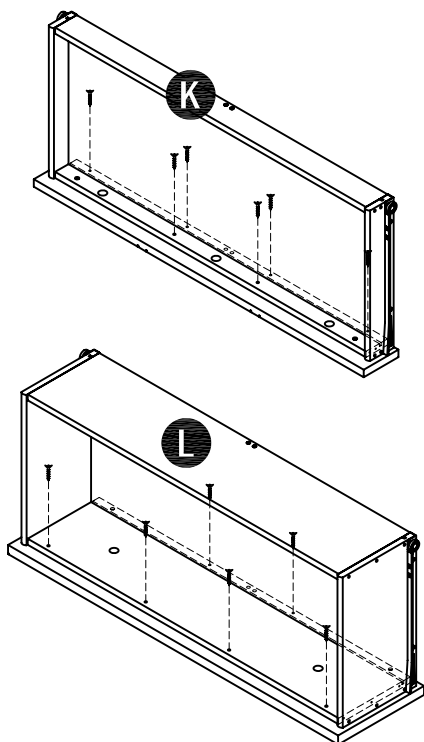
Loosen slightly the upper screws for Drawer (K) & the lower screws for Drawer (L).

### STEP 2

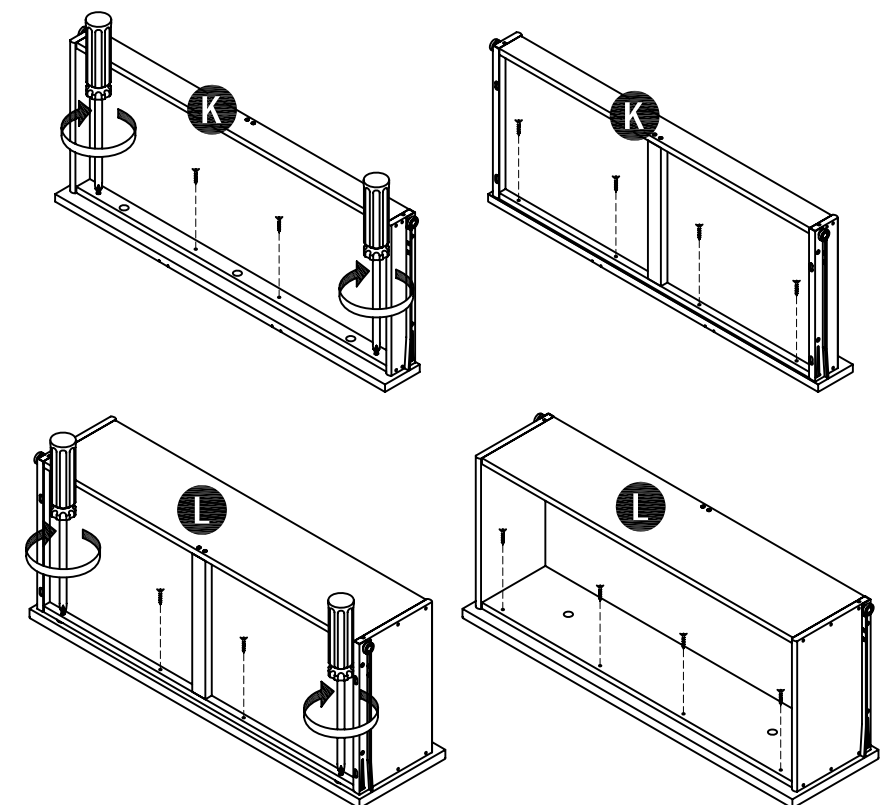
Insert the drawer into the main body, then adjust the drawer front panel left or right and up or down, until the drawer gaps look proportional.



## II. IF THE DRAWER ALREADY ALIGNS



Pull out drawer slowly. Lock the drawer front panel into position with 3/4" Flat Head Screws.



### STEP 3

Pull the drawer open slowly and tighten the upper screws. Make sure the front panel does not move and lock the drawer front panel into position with 3/4" Flat Head Screws.