

# CRYSTORAMA

1958

95 Cantiague Rock Road, Westbury NY 11590  
ph:516.931.9090 fax:516.931.1254  
info@crystorama.com www.crystorama.com

## MODEL#: 2262-PN ASSEMBLY AND DRESSING INSTRUCTIONS

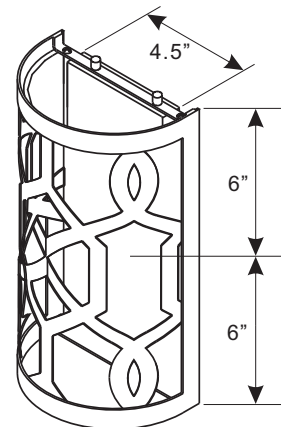
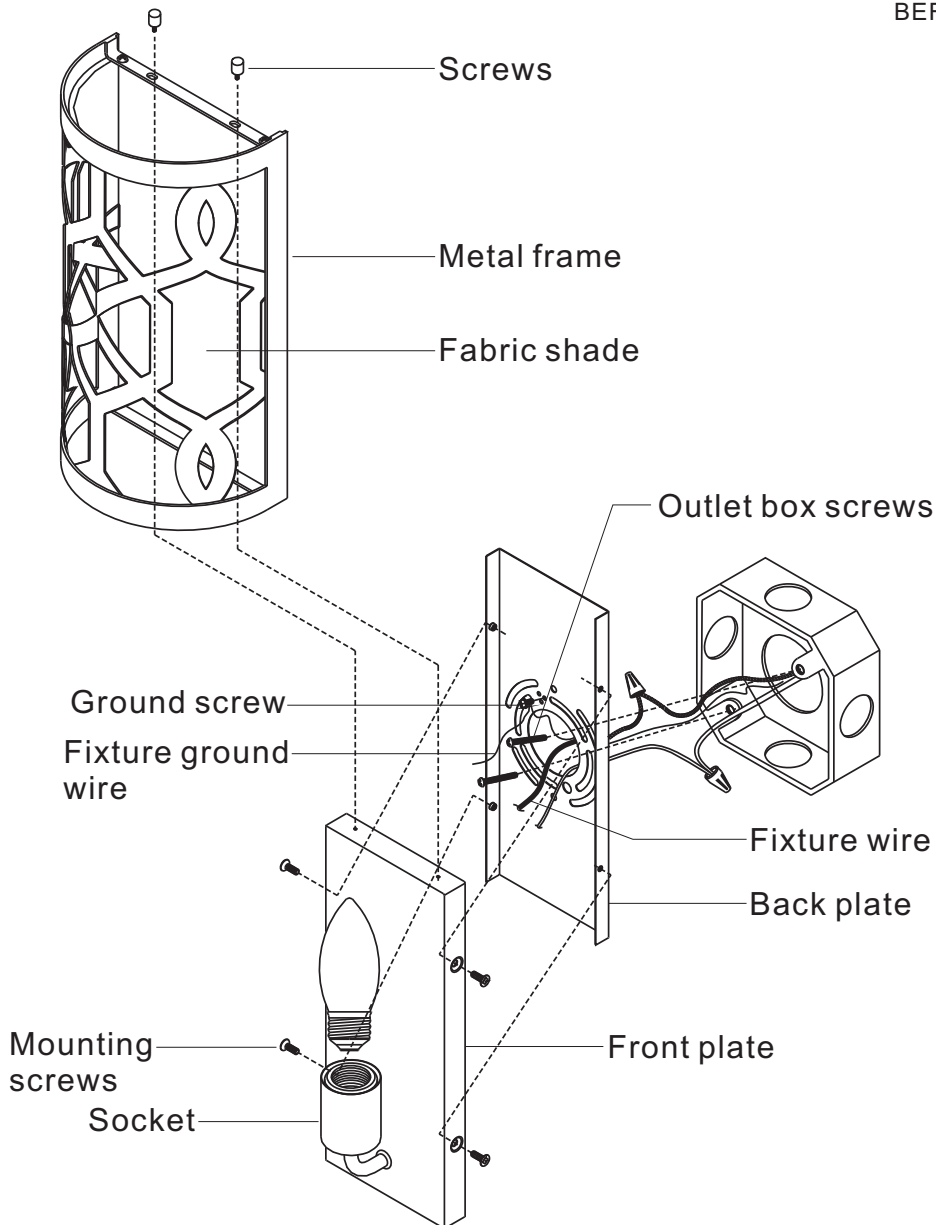
### IMPORTANT

TURN OFF THE POWER AT THE MAIN  
FUSE OR CIRCUIT BREAKER BOX  
BEFORE STARTING INSTALLATION



You will need 1-Med. Torpedo  
BULB 40 watts Recommended  
60 watts Max  
Bulb not included

**For Type B bulb only**



2014-07