

ASSEMBLY INSTRUCTION

634C DINING CHAIR

A Seat and Back



1 PC

B Lower Leg Frame



1 PC

C Upper Leg Frame



1 PC

D Bolt
1/4 " * 1-1/4 "



5 PCS

E Spring Washer
1/4 "



5 PCS

F Flat Washer
1/4 "

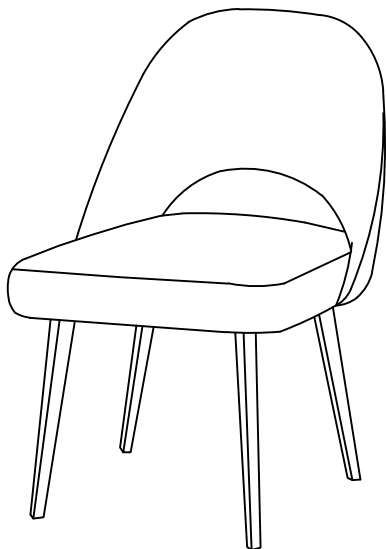


5PCS

G Allen Key
M4

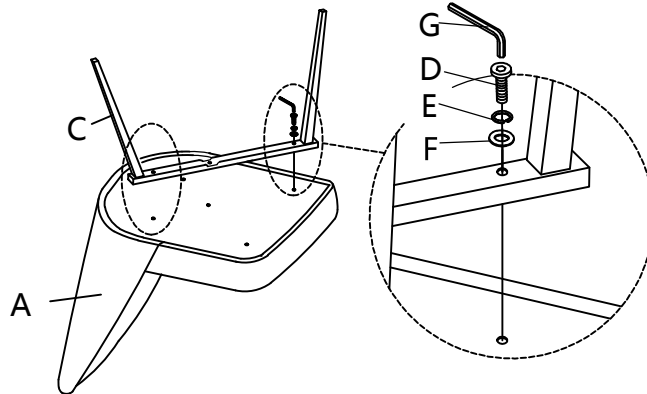


1 PC

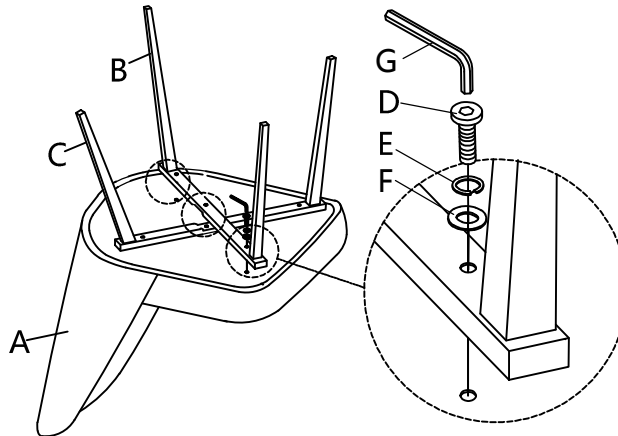


This page lists all the contents included in the box. Please take the time to identify the hardware as well as the individual components to this product. As you unpack and prepare for assembly, place the contents on a carpeted or padded area to protect them from damage.

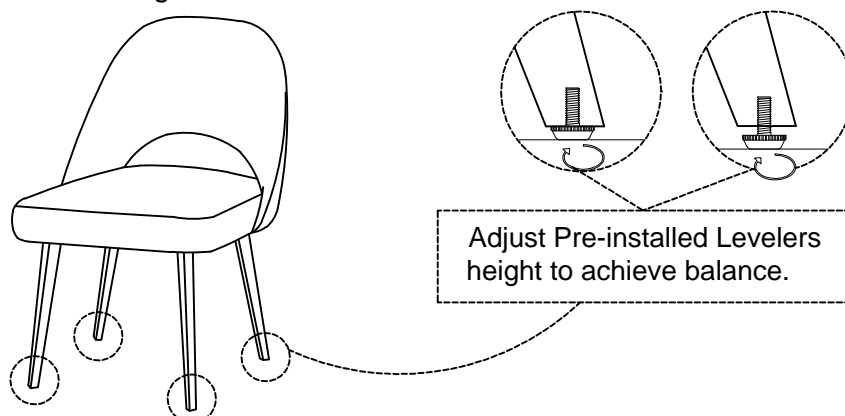
- 1** Attach Upper Leg Frame (C) to Seat and Back (A) using Bolt (D), Spring Washer (E), Flat Washer (F) with Allen Key (G).



- 2** Attach Lower Leg Frame (B) to Upper Leg Frame (C) and Seat and Back (A) using Bolt (D), Spring Washer (E), Flat Washer (F) with Allen Key (G).



- 3** With assistance from your adult partners, turn the Dining Chair right way up. Adjust the Pre-installed Levelers on the bottom of Lower Leg Frame (B) and Upper Leg Frame (C) until the Dining Chair is level with the ground.



Cleaning & Care

Treat surface with care. Surface is resistant to scratches but is not scratch resistant. Clean surfaces with a dry or damp soft cloth. Do not use abrasive cleaners. Hardware may loosen over time. Periodically check that all connections are tight.