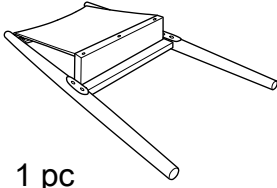


ASSEMBLY INSTRUCTION

601C2 DINING CHAIR

A Backrest



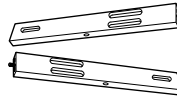
1 pc

B Cushion Seat



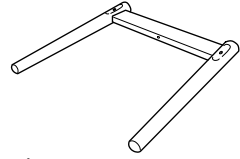
1 pc

C Side Rail R / L



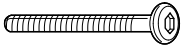
2 pcs

D Front Leg



1 pc

E JCBC Bolt
M6 x 100mm



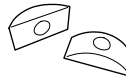
4 pcs

F JCBC Bolt
M6 x 50mm



2 pcs

G U Washer
M6



6 pcs

H CSK Screw
M4 x 32mm

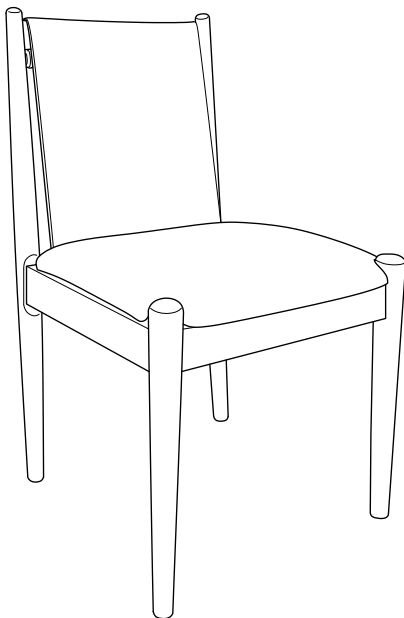


4 pcs

I Allen Key
M4 x 110mm

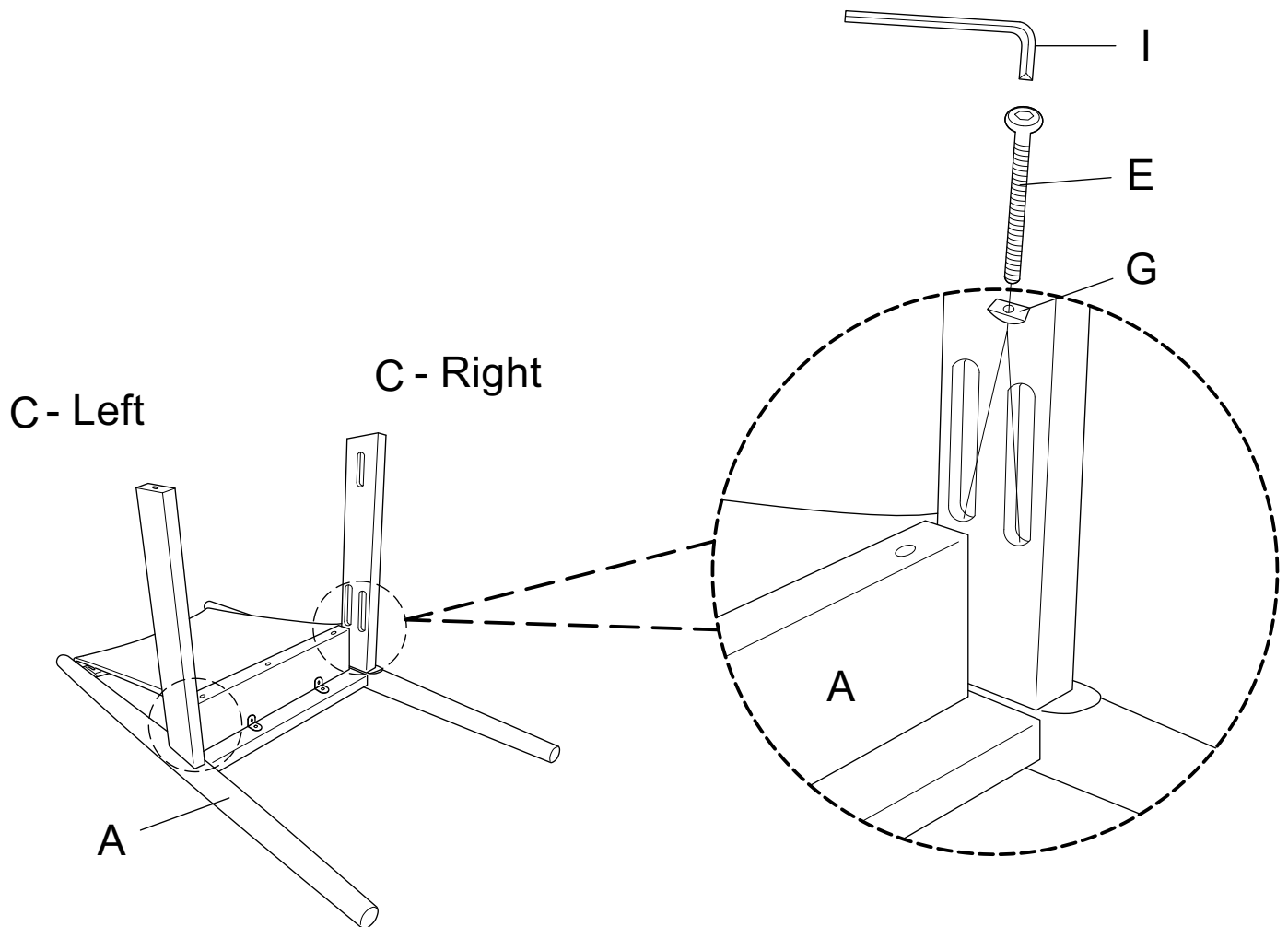


1 pc



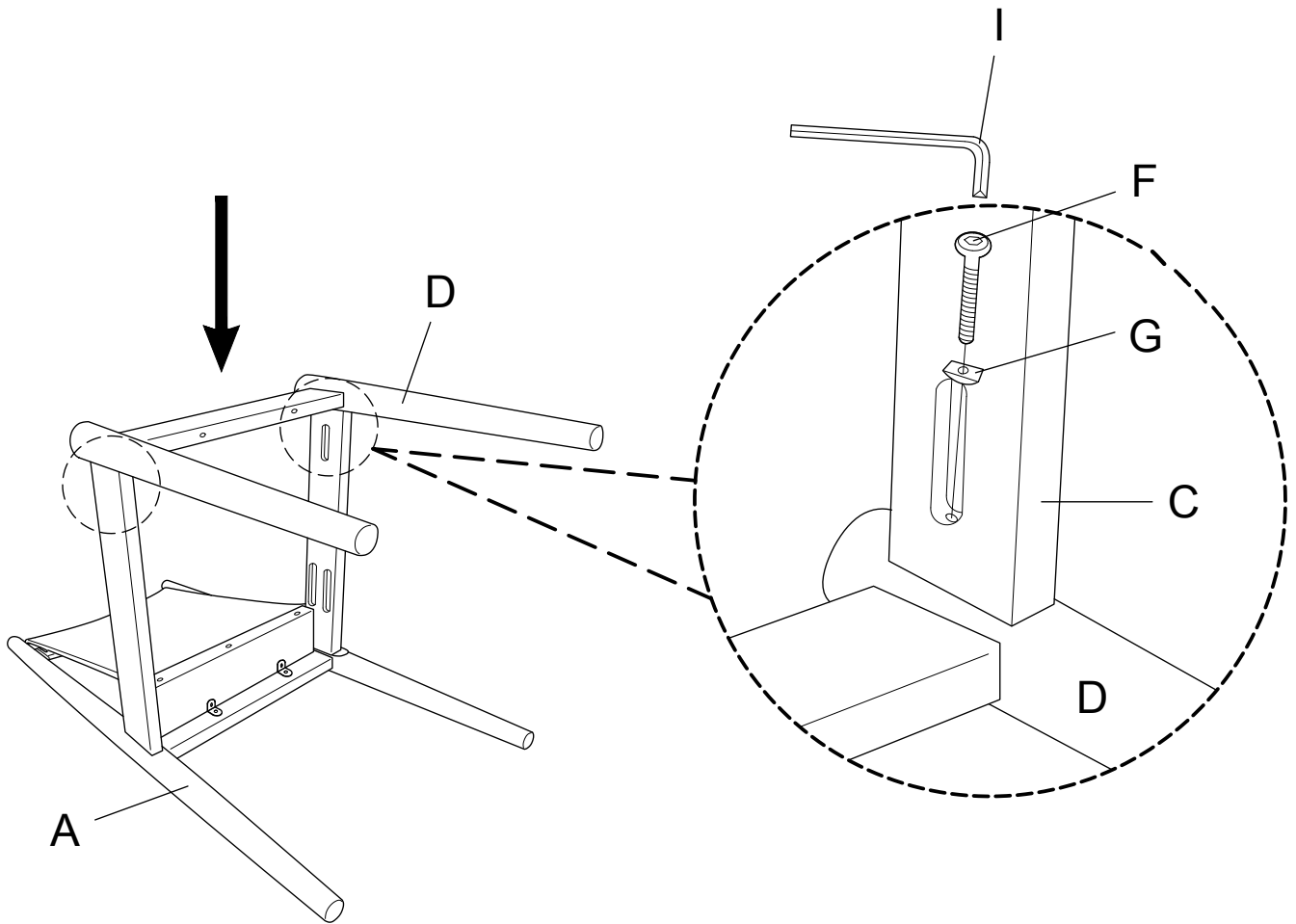
This page lists all the contents included in the box. Please take the time to identify the hardware as well as the individual components to this product. As you unpack and prepare for assembly, place the contents on a carpeted or padded area to protect them from damage.

- 1** Install both sides of Side Rail (C) with Backrest (A) by using U Washer (G) and JCBC Bolt (E). Use Allen Key (I) to tighten the hardware but please do not over tighten the bolts in this step.

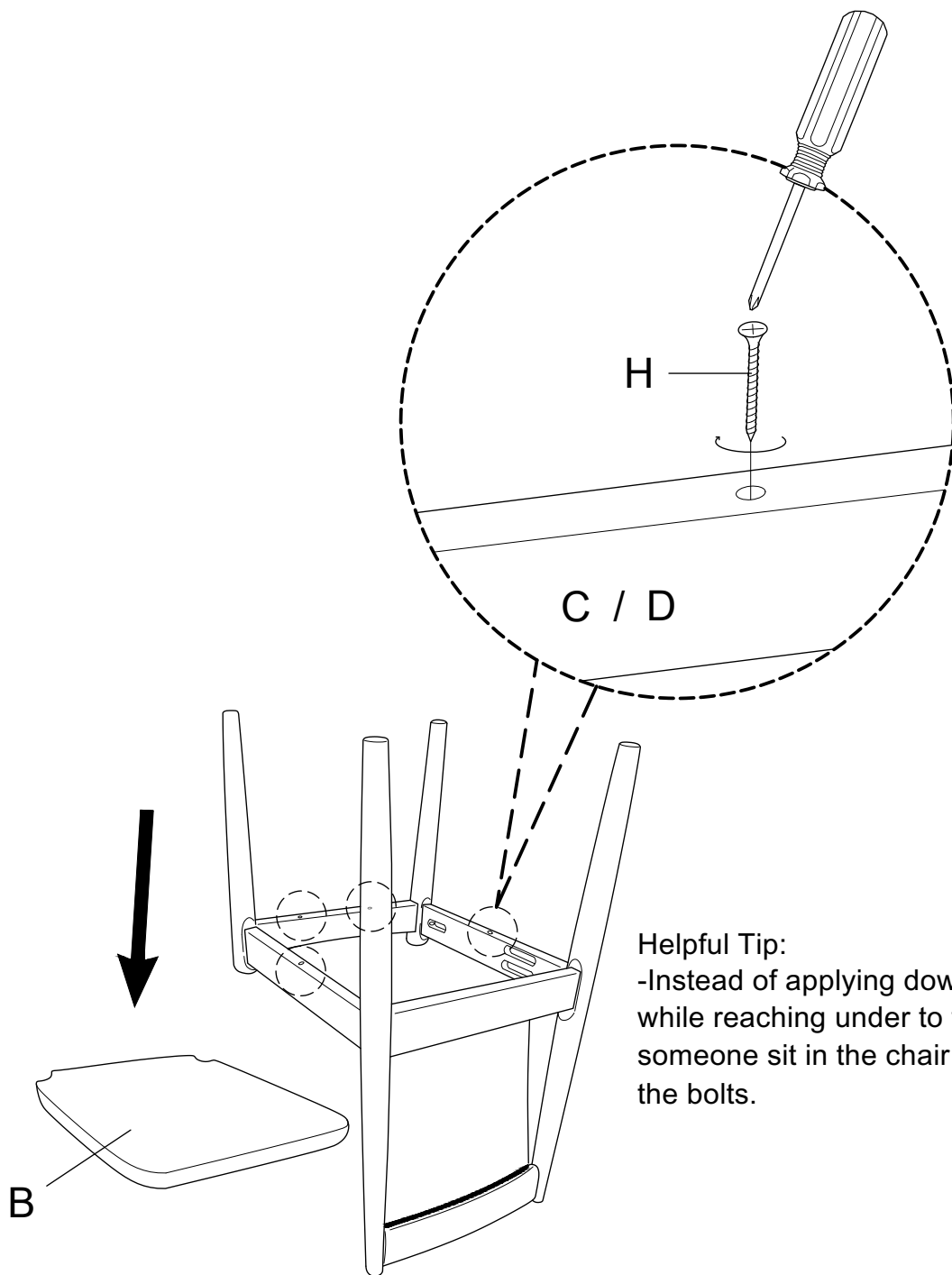


Take the Allen Wrench, and turn the bolts until the legs are secured.
DO NOT TIGHTEN COMPLETELY.
Stop when you feel you are adding force to tighten the bolt.

2 Install previous assembly with Front Leg (D) by using U Washer (G) and JCBC Bolt (F). Use Allen Key (I) to tighten the hardware but please do not over tighten the bolts in the step.



3 Install last part of Cushion Seat (B) by using CSK Screw (H) as shown below. Tighten all sections from previous steps by using Screwdriver (not included).



Helpful Tip:
-Instead of applying downward pressure while reaching under to tighten bolts, have someone sit in the chair while you tighten the bolts.

Stand the chair up on even surface and check that it is balanced. If there is a slight wobble, apply downward pressure in the corner where a leg is uneven. Keeping pressure in that corner, tighten all bolts. If balanced, apply downward pressure evenly in the center and tighten all bolts. Do not over-tighten beyond hole depth.

Cleaning & Care

Treat surface with care. Surface is resistant to scratches but is not scratch resistant. Clean surfaces with a dry or damp soft cloth. Do not use abrasive cleaners. Hardware may loosen over time. Periodically check that all connections are tight.