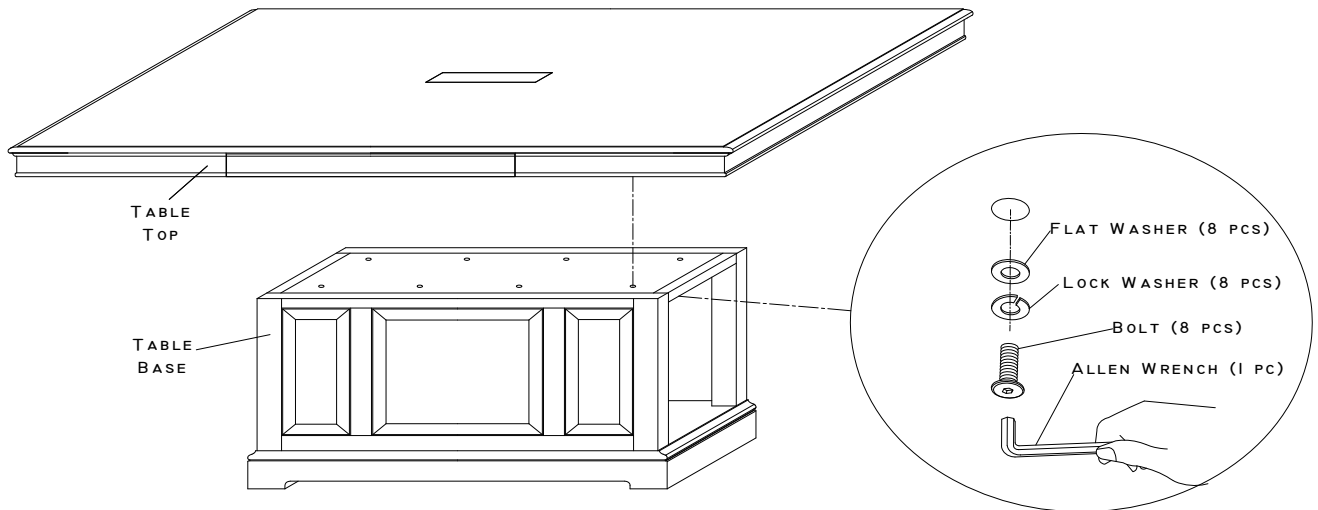


SLIGH

OFFICE AND MEDIA DESIGNS

ASSEMBLY INSTRUCTIONS 300BA-300 Dining Work Table



1. Access holes through inside of base.
2. Carefully place top on top of base so that holes in base align with holes in top.
3. Use Allen wrench to attach top to base with (8) of each: flat washers, lock washers, and bolts.
4. Fully tighten all bolts.