





ASSEMBLY INSTRUCTIONS

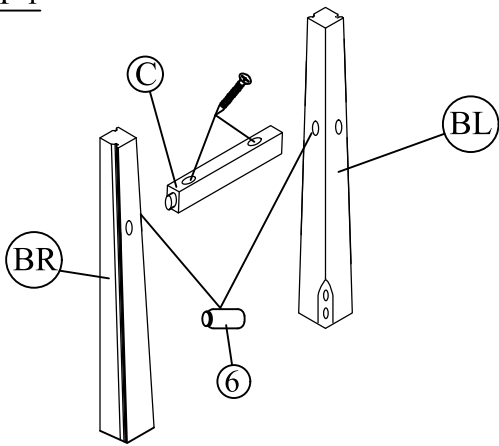
MODEL: NR1001 SADDLE

DO NOT TIGHTEN SCREWS UNTIL COMPLETELY ASSEMBLED!

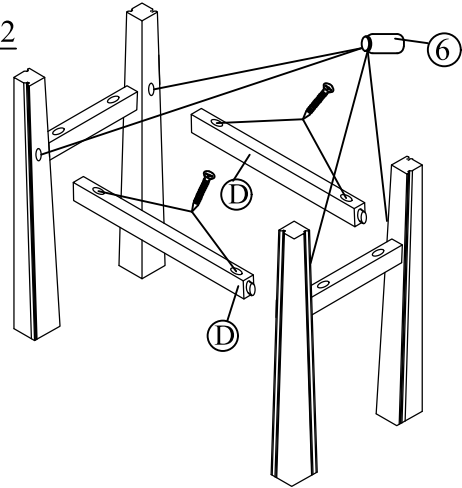
No	DESCRIPTION		Q,TY
A		SEAT FRAME SIZE	1PC
BR/BL		FRONT LEG SIZE (L/R)	4PCS
C		SIDE STRETCHER (SHORT)	2PCS
D		SIDE STRETCHER (LONG)	2PCS

No	HARDWARE LIST			Q,TY
1		LONG BOLT	Ø 1/4" x12 x 2-3/8"	8PCS
2		SPRING WASHER	Ø 1/4" x 10D x 1.1mm	8PCS
3		FLAT WASHER	Ø 1/4" x 19D x 2mm	8PCS
4		ALLEN KEY	2-1/4" x 4mm	1PC
5		WOOD SCREW	M4 x 40mm	8PCS
6		WHITE GLUE		1PC

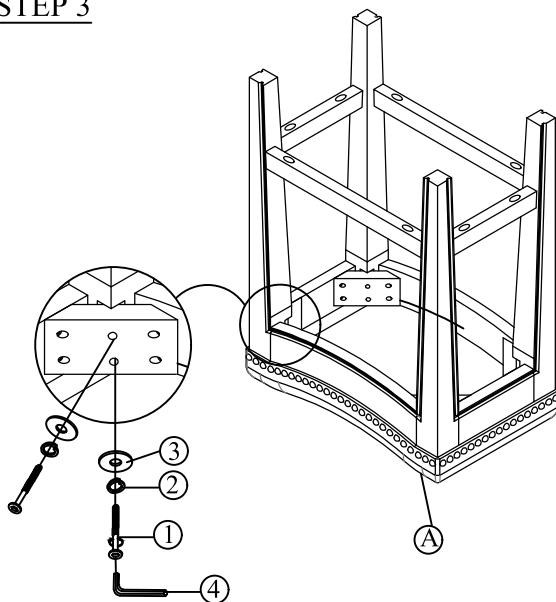
STEP 1



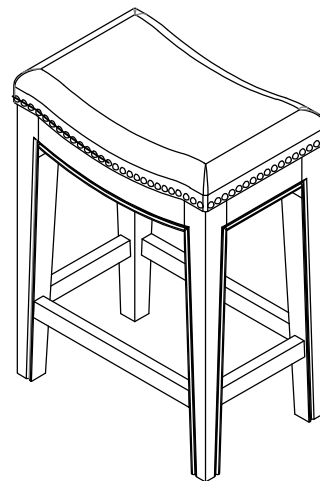
STEP 2



STEP 3





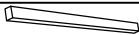




STEP 4



ASSEMBLY INSTRUCTIONS

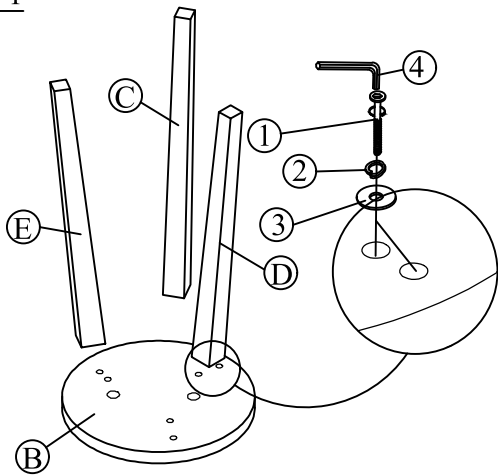
MODEL: NR1010 REGAL

DO NOT TIGHTEN SCREWS UNTIL COMPLETELY ASSEMBLED!

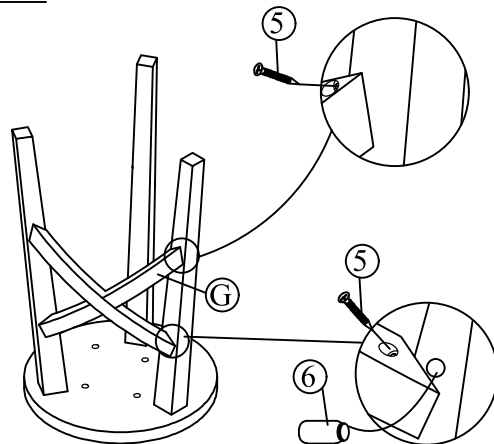
No	DESCRIPTION	Q,TY
A	 SEAT SIZE	1PC
B	 FRAME	1PC
C	 LEG (LEFT)	1PC
D	 LEG (RIGHT)	1PC
E	 LEG (BACK)	1PC
F	 FRONT STRETCHER	1PC
G	 X STRETCHER	2PCS

No	HARDWARE LIST	Q,TY	
1	 LONG BOLT	Ø 5/16" x12 x 2"	6PCS
2	 SPRING WASHER	Ø 5/16" x 10D x 1.1mm	14PCS
3	 FLAT WASHER	Ø 5/16" x 18D x 2mm	14PCS
4	 ALLEN KEY	2-1/4" x 4mm	1PC
5	 WOOD SCREW	M4 x 40mm	10PCS
6	 WHITE GLUE		1PC
7	 SHORT BOLT	Ø 1/4" x12 x 3/4"	8PCS
8	 SWIVEL BASE		1PC

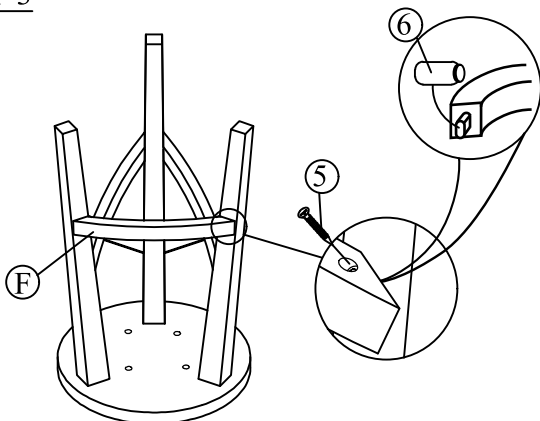
STEP 1



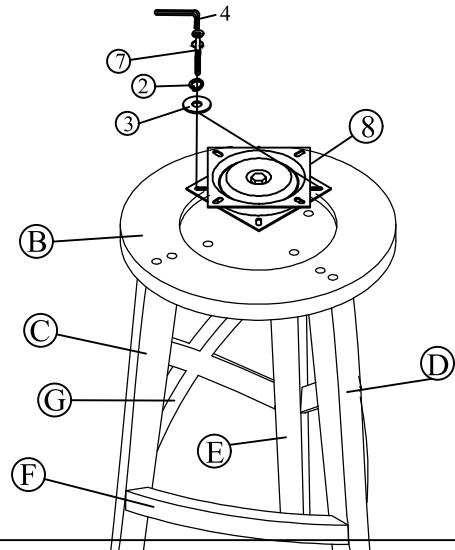
STEP 2



STEP 3



STEP 4

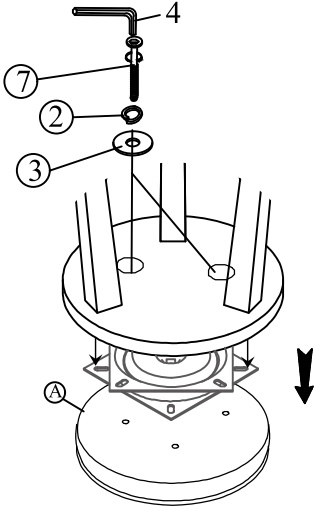


ASSEMBLY INSTRUCTIONS

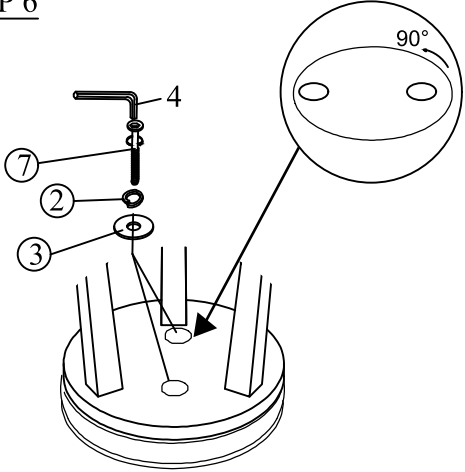
MODEL: NR1010 REGAL

DO NOT TIGHTEN SCREWS UNTIL COMPLETELY ASSEMBLED!

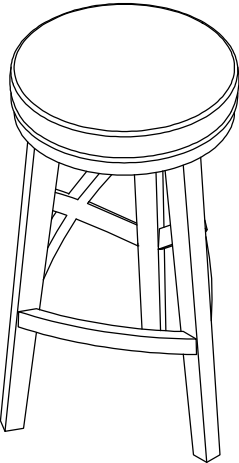
STEP 5



STEP 6





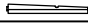
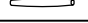
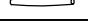

STEP 7



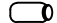


ASSEMBLY INSTRUCTIONS

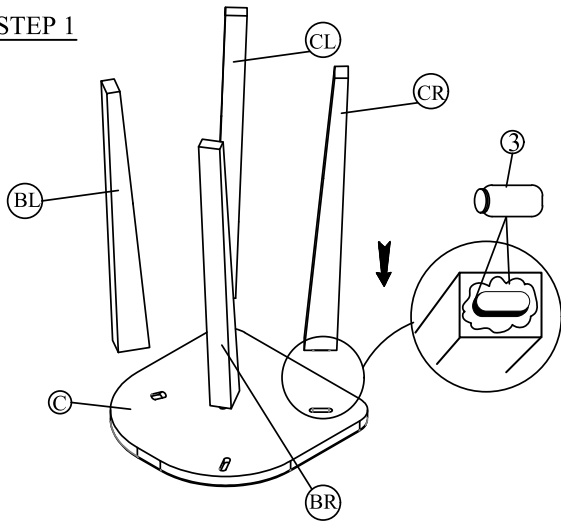
MODEL: NR1012 TRACTOR

DO NOT TIGHTEN SCREWS UNTIL COMPLETELY ASSEMBLED!

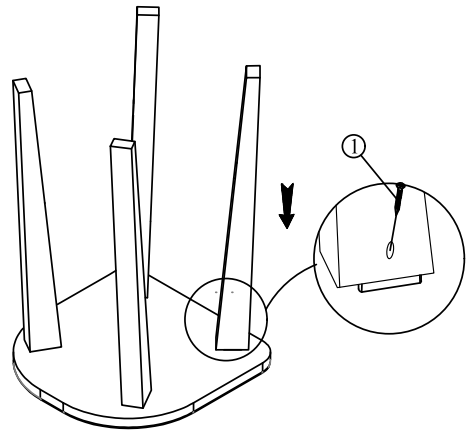
No	DESCRIPTION		Q,TY
A		SEAT FRAME SIZE	1PC
BL/BR		BACK LEG SIZE (L/R)	2PCS
CL/CR		FRONT LEG SIZE (L/R)	2PCS
D		SIDE STRETCHER (LEFT/RIGHT)	2PCS
E		BACK STRETCHER	1PC
F		FRONT STRETCHER	1PC

No	HARDWARE LIST			Q,TY
1		WOOD SCREW	M4 x 40mm	4PCS
2		WOOD SCREW	M4 x 35mm	8PCS
3		WHITE GLUE		1PC

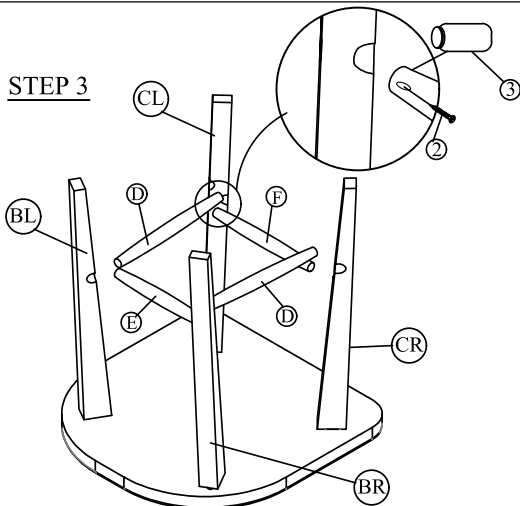
STEP 1



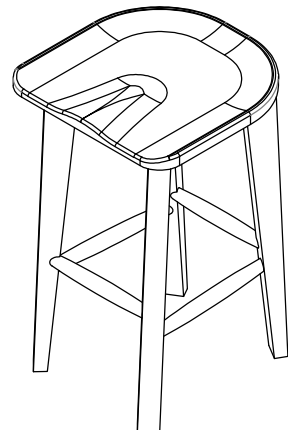
STEP 2



STEP 3






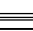
STEP 4




ASSEMBLY INSTRUCTIONS

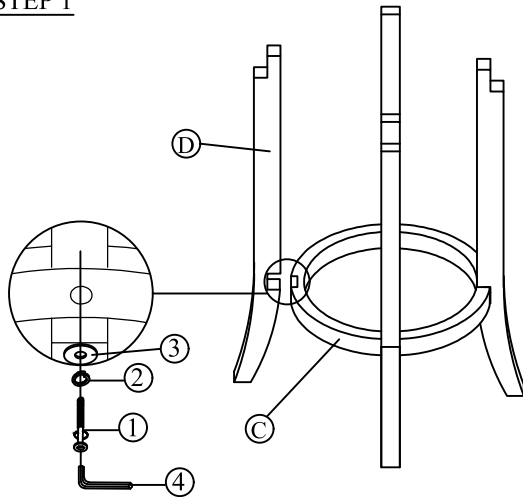
MODEL: NR1048 VICTORIA

DO NOT TIGHTEN SCREWS UNTIL COMPLETELY ASSEMBLED!

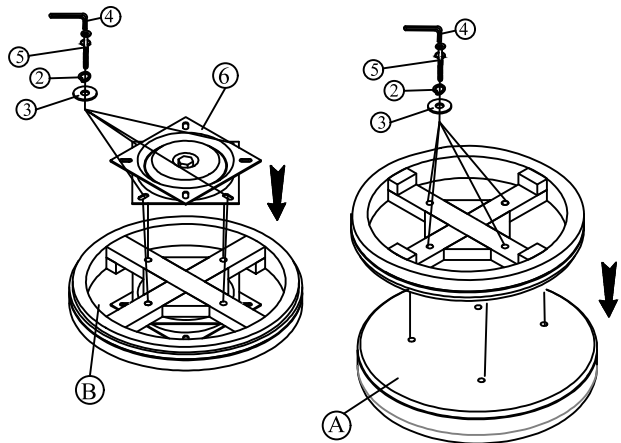
No	DESCRIPTION	Q,TY
A	 SEAT SIZE	1PC
B	 FRAME	1PC
C	 SIDE STRETCHER	1PC
D	 FRONT LEG SIZE	4PCS

No	HARDWARE LIST	Q,TY	
1	 LONG BOLT	Ø 1/4" x12 x 1-1/2"	12PCS
2	 SPRING WASHER	Ø 1/4" x 10D x 1.1mm	20PCS
3	 FLAT WASHER	Ø 1/4" x 19D x 2mm	20PCS
4	 ALLEN KEY	2-1/4" x 4mm	1PC
5	 SHORT BOLT	Ø 1/4" x12X3/4"	8PCS
6	 SWIVEL BASE		1PC

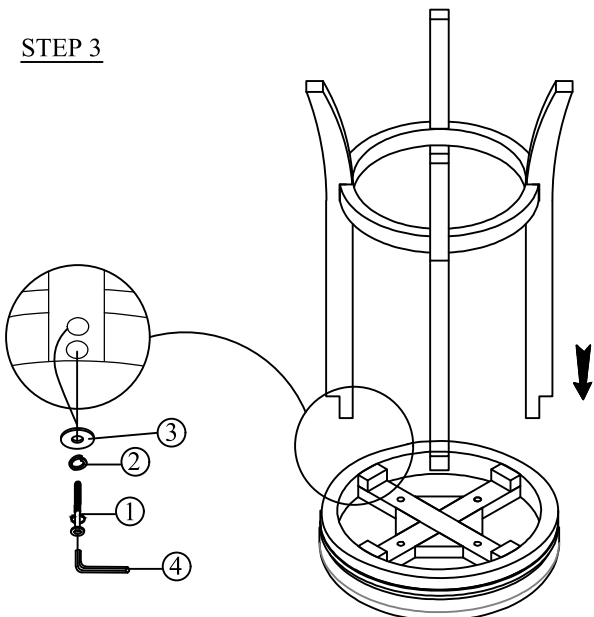
STEP 1



STEP 2



STEP 3



STEP 4

