


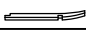


# ASSEMBLY INSTRUCTIONS

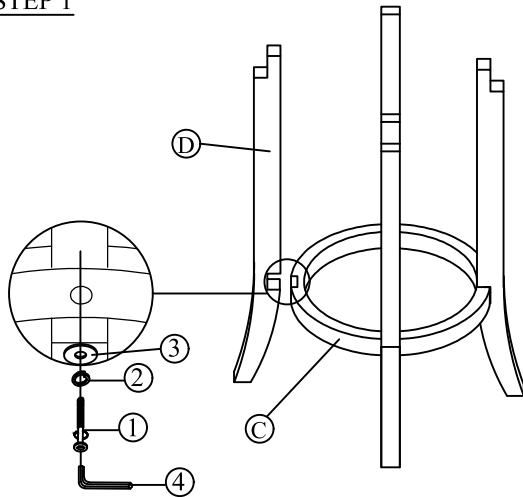
## MODEL: NR1048 VICTORIA

**DO NOT TIGHTEN SCREWS UNTIL COMPLETELY ASSEMBLED!**

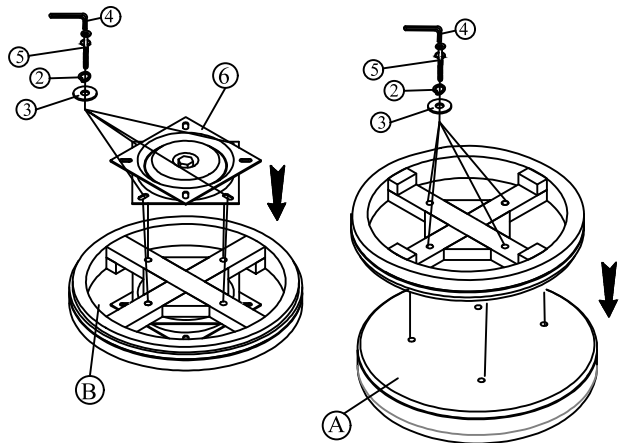
No	DESCRIPTION	Q,TY
A	 SEAT SIZE	1PC
B	 FRAME	1PC
C	 SIDE STRETCHER	1PC
D	 FRONT LEG SIZE	4PCS

No	HARDWARE LIST	Q,TY
1	 LONG BOLT Ø 1/4" x12 x 1-1/2"	12PCS
2	 SPRING WASHER Ø 1/4" x 10D x 1.1mm	20PCS
3	 FLAT WASHER Ø 1/4" x 19D x 2mm	20PCS
4	 ALLEN KEY 2-1/4" x 4mm	1PC
5	 SHORT BOLT Ø 1/4" x12X3/4"	8PCS
6	 SWIVEL BASE	1PC

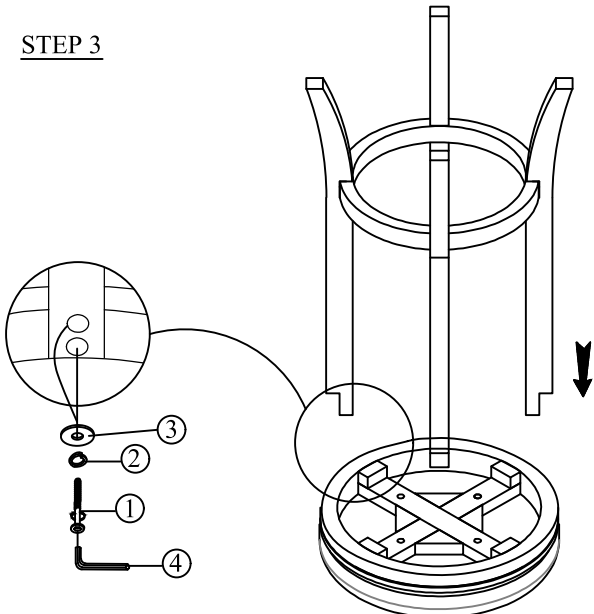
### STEP 1



### STEP 2



### STEP 3



### STEP 4

