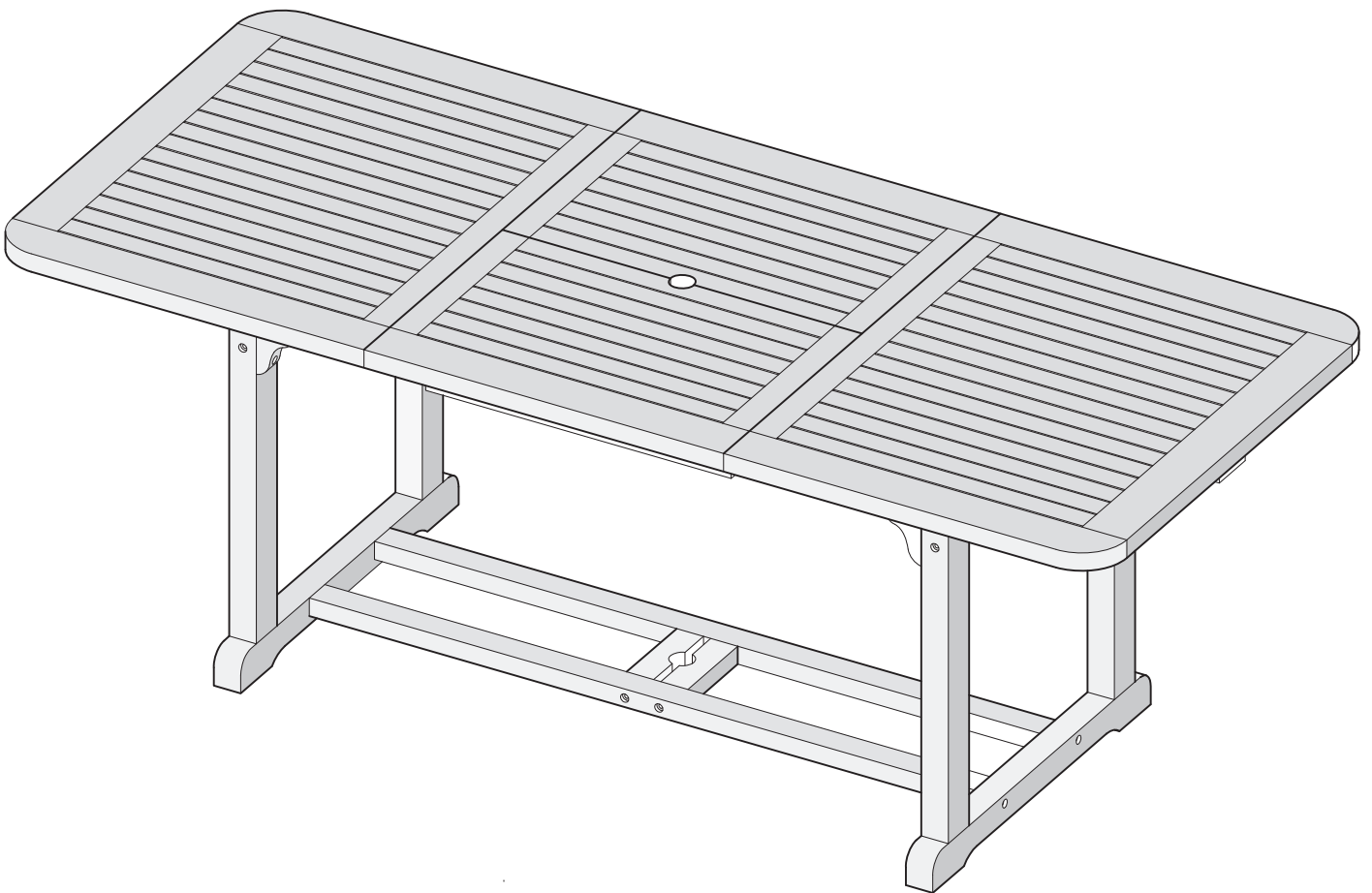


**W** Walker  
**E** Edison  
furniture company

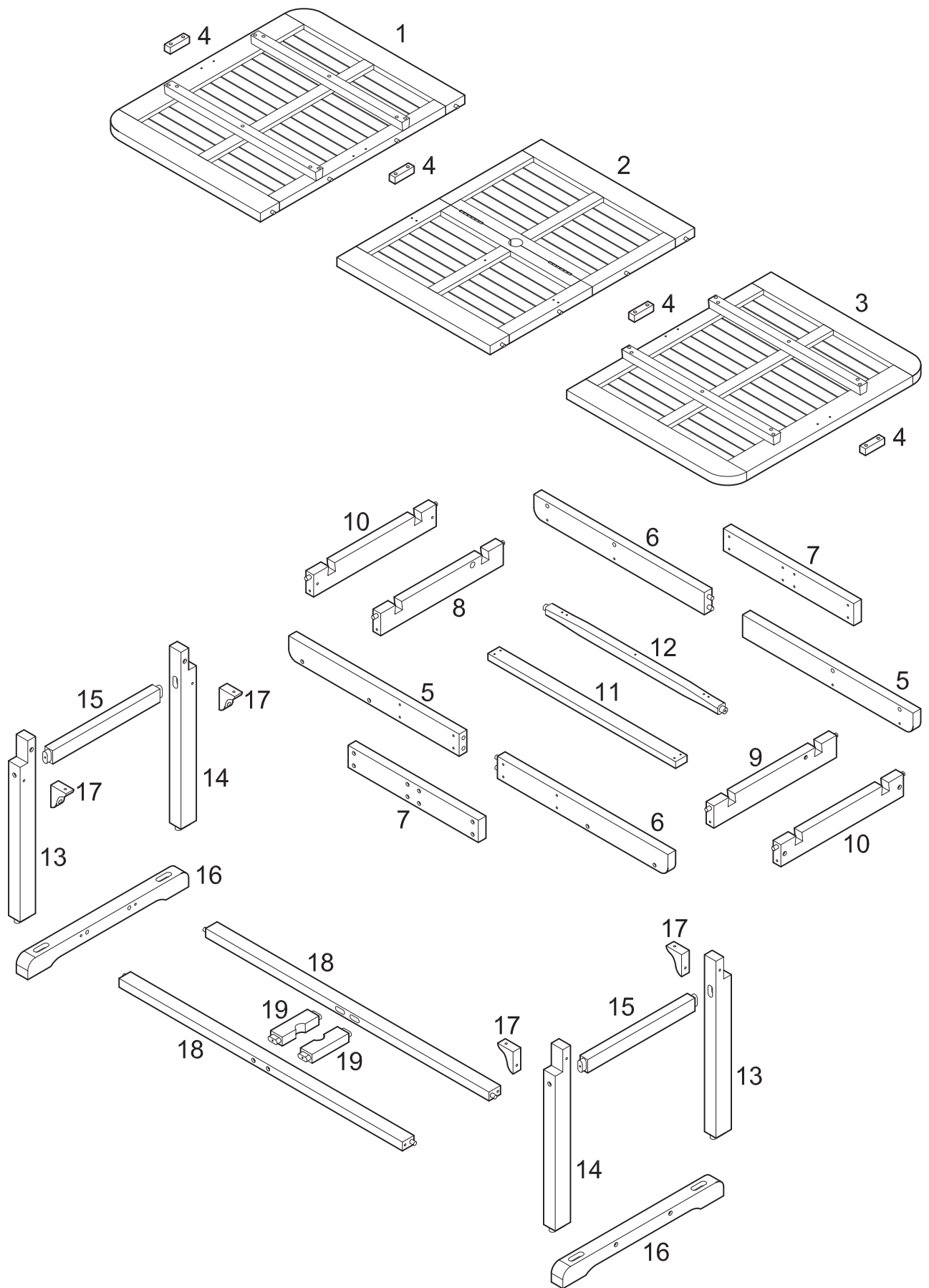
Item #: OWTEX  
Assembly Instructions




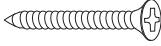



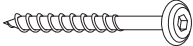




*For our most current instructions, to request missing, lost or broken parts, or for any other Customer Service issues, please visit our website at [www.walkeredison.com](http://www.walkeredison.com) or call us at 877-207-5906.*

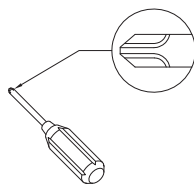
Revised 02/2012

# Parts List



# Hardware List

A		Ø4x30mm	Small wood screw	12 pcs
B		Ø4x40mm	Large wood screw	5 pcs
C		Ø8x50mm	Large bolt	4 pcs
D			Sleeve nut	4 pcs
E		Ø6x40mm	Small bolt	16 pcs
F		Ø7x60mm	Small screw	10 pcs
G		Ø7x90mm	Large screw	24 pcs
H		M4X15mm	Latch screw	16 pcs
I			Draw pull latch	4 sets
J			Wrench	2 pcs



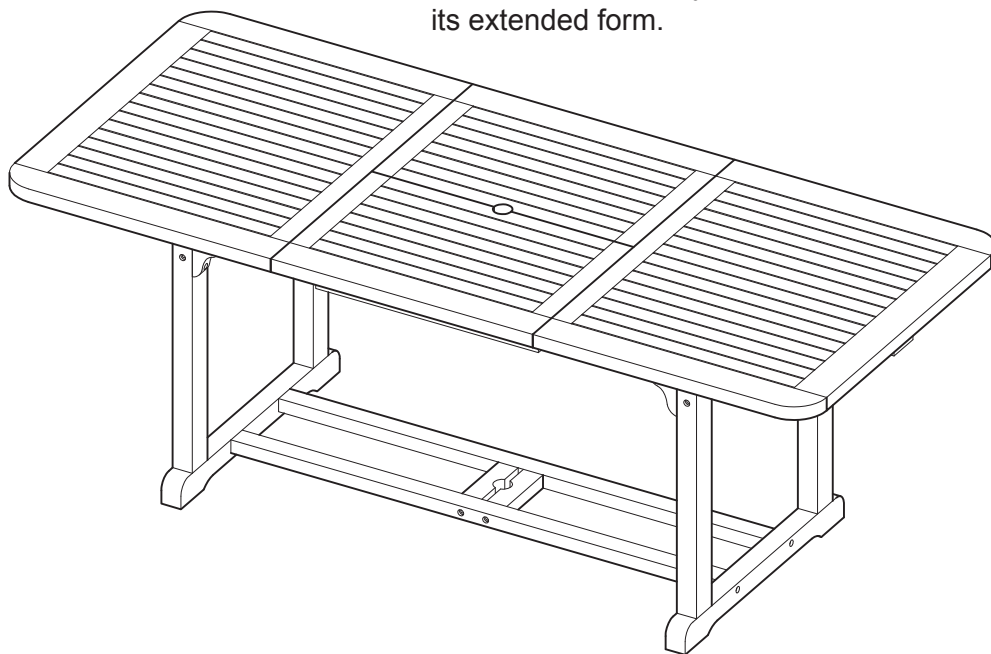
Phillips head screwdriver required for assembly  
(not included)

*The hardware quantities listed above are required for proper assembly.  
Some extra hardware may also have been included.*

# Assembly Options

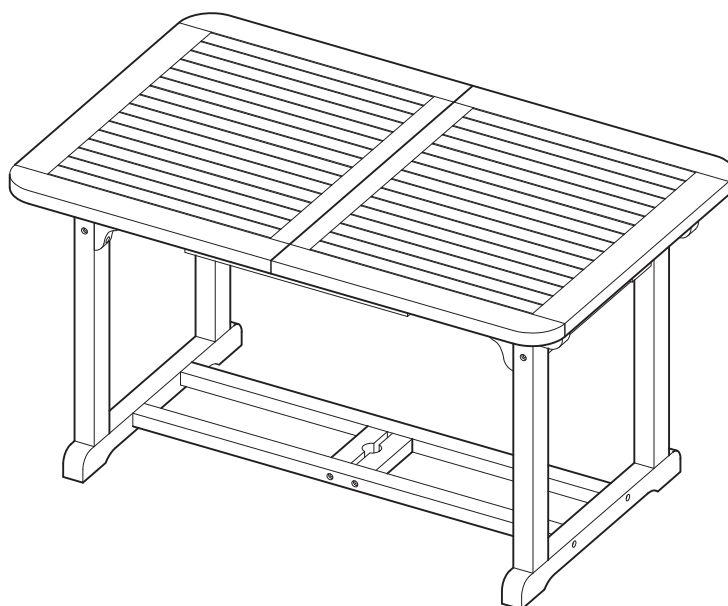
## Option A

Follow Steps 1-17 to assemble the table. Final assembly will be the table in its extended form.

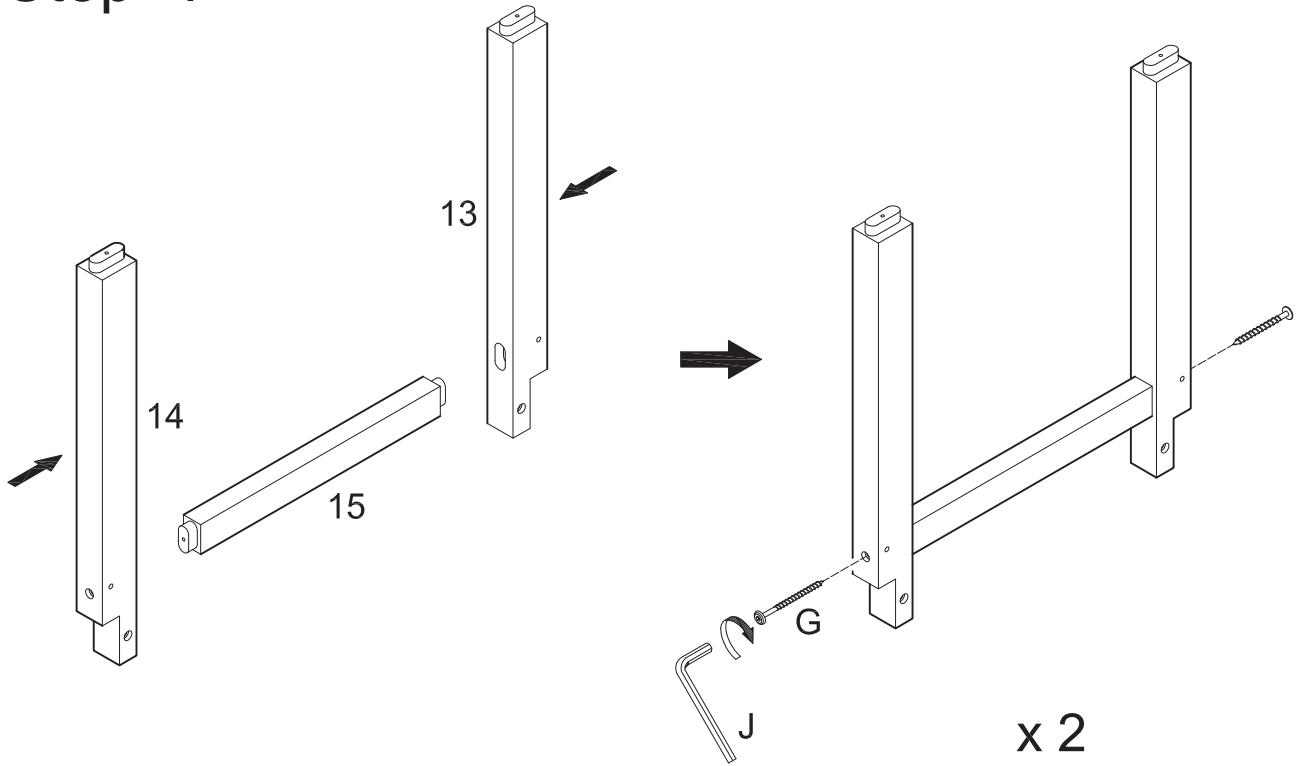


## Option B

The table also has a compact form. Follow Steps 18-22 for instruction on how to put the self-contained leaf away.

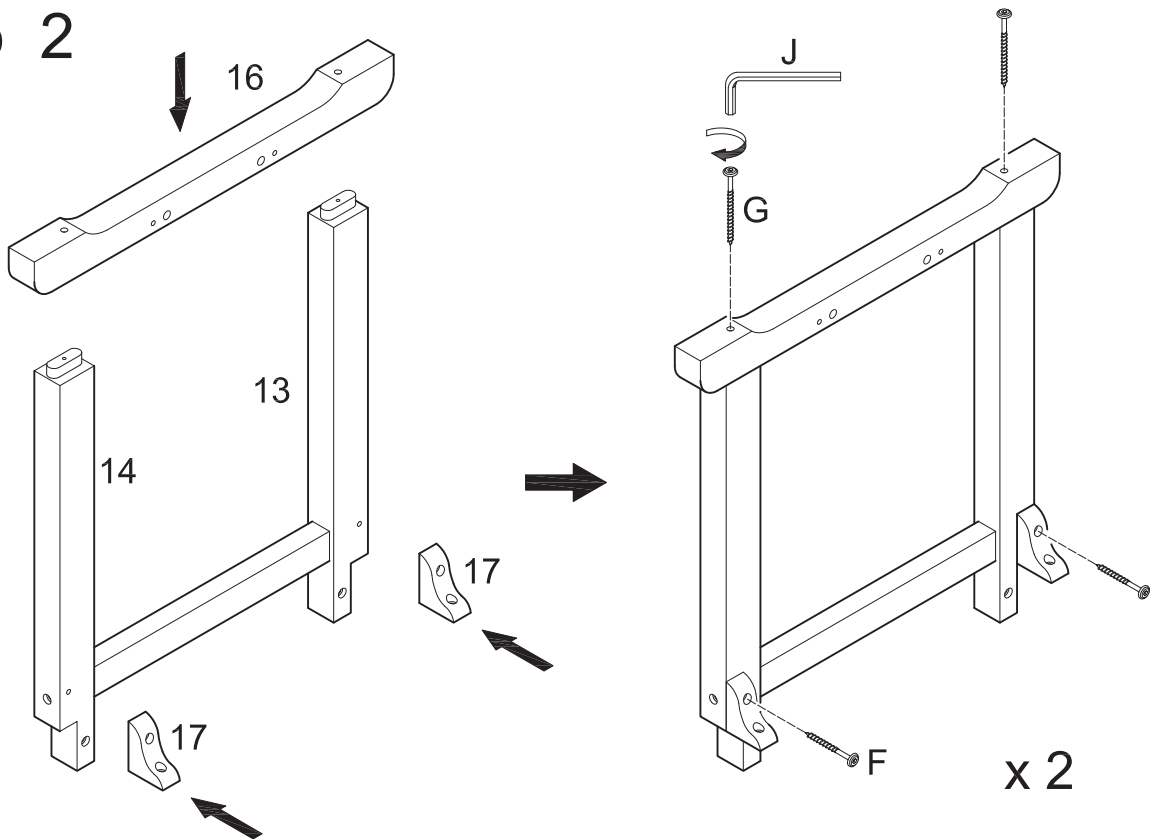


# Step 1



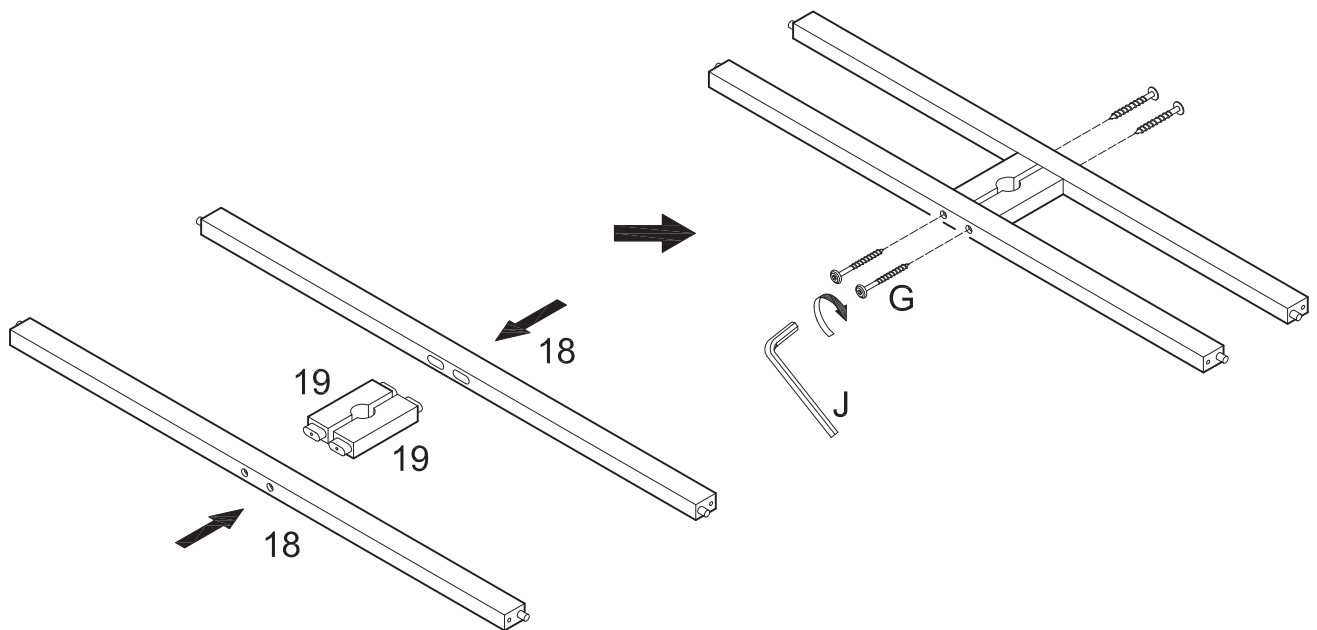
Secure slat (15) to legs (13,14) using large screws (G). Tighten large screws (G) with wrench (J). Repeat this step for second set of legs (13,14).

# Step 2



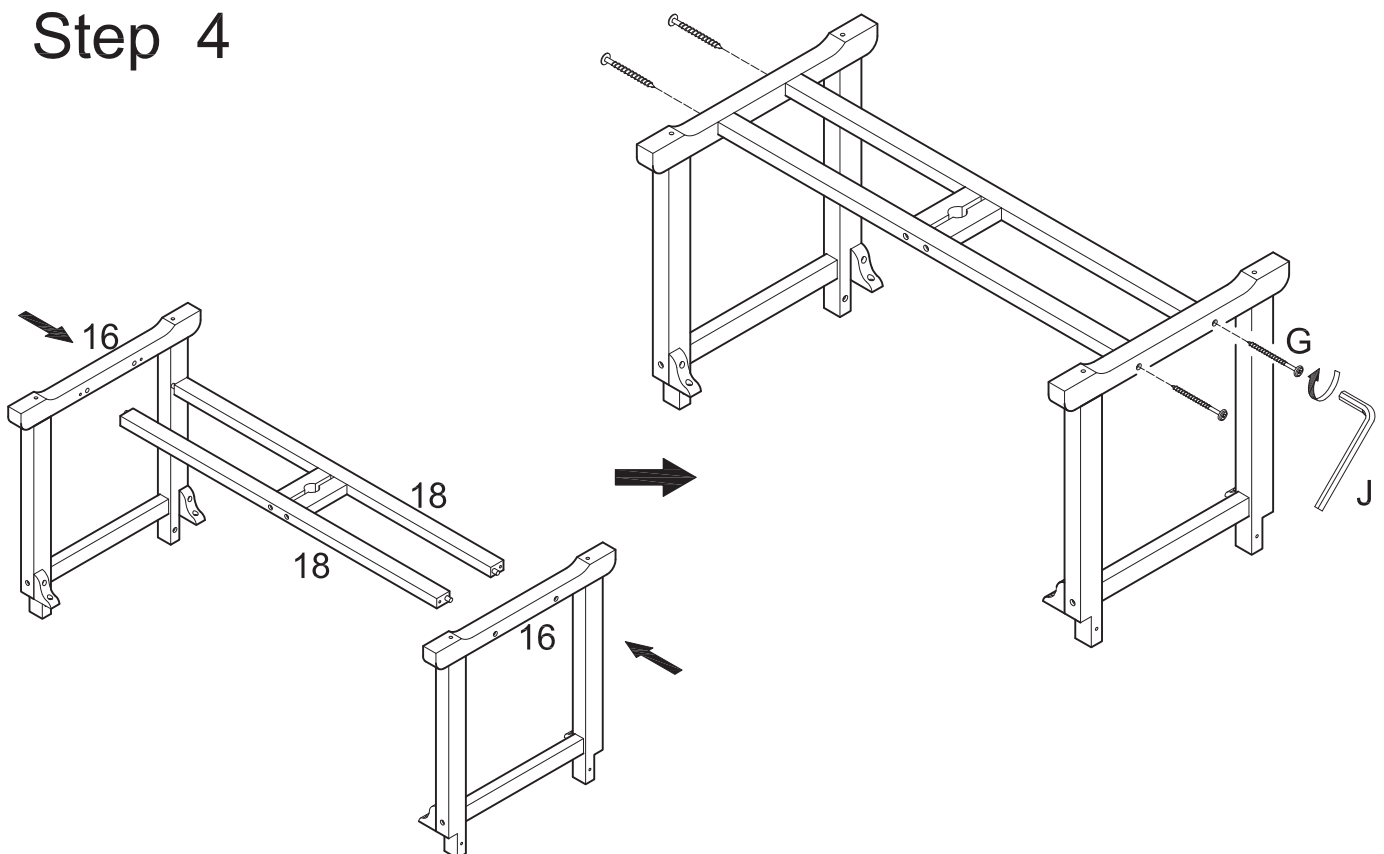
Secure slat (16) to legs (13,14) using large screws (G). Secure supports (17) to legs (13,14) using small screws (F). Tighten all screws with wrench (J). Repeat this step for second set of legs (13,14).

## Step 3



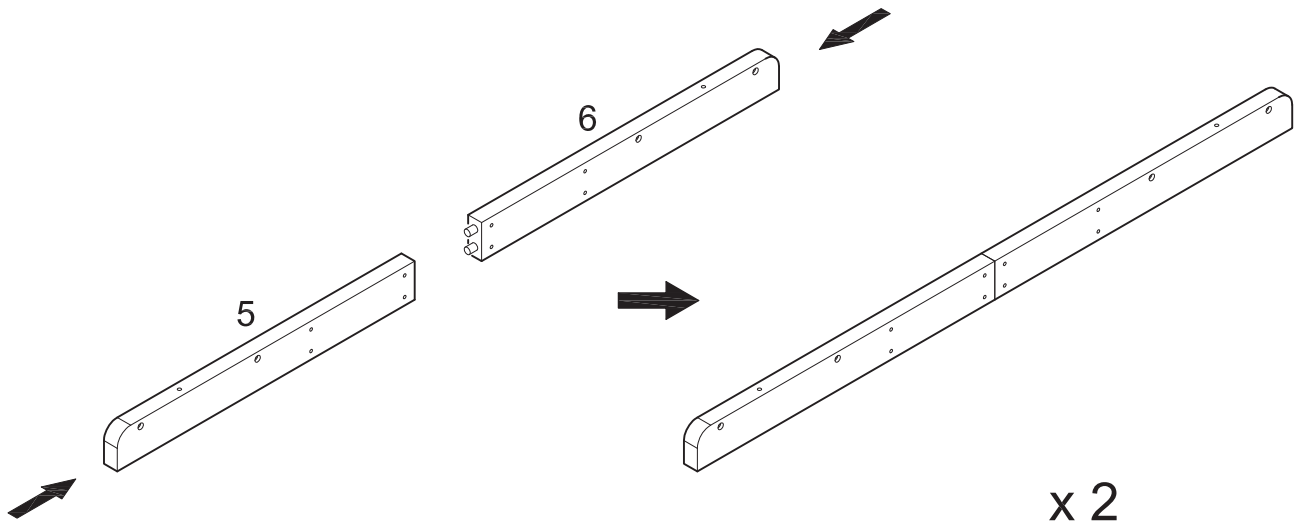
Secure umbrella supports (19) to slats (18) using large screws (G). Tighten large screws (G) with wrench (J).

## Step 4



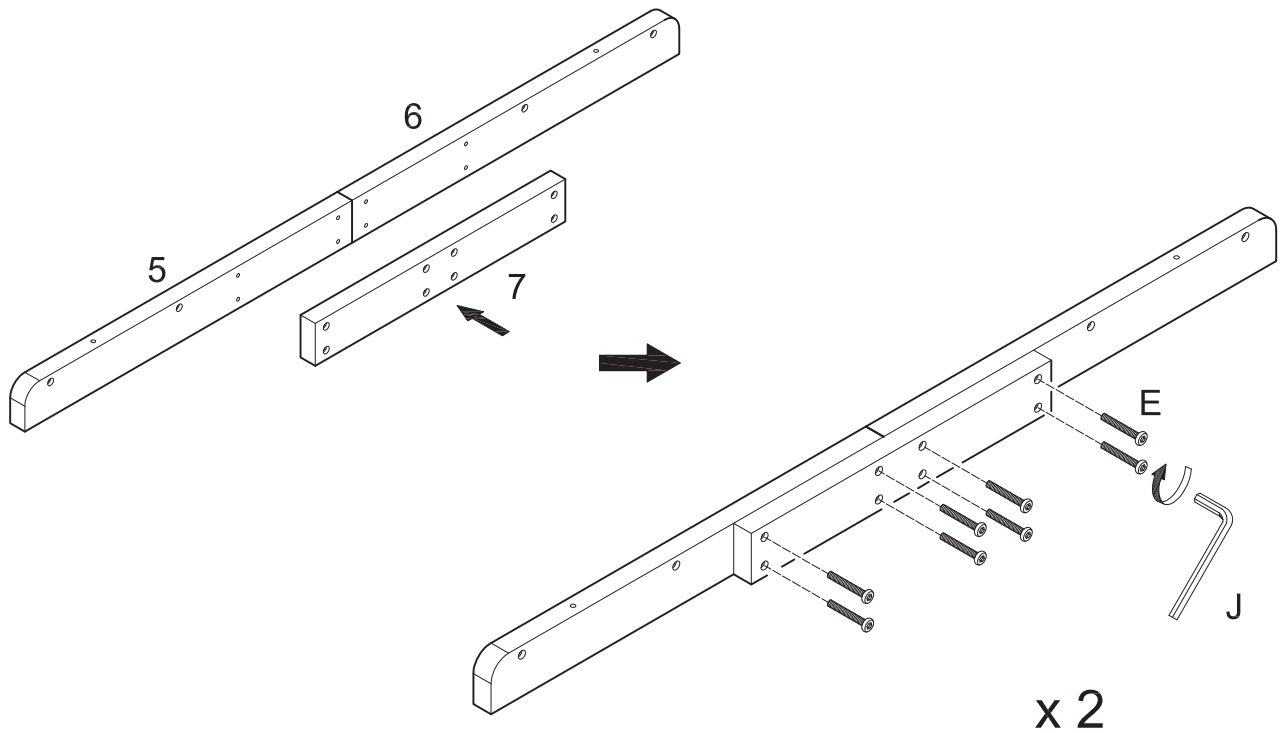
Attach slats (18) to slats (16) using large screws (G). Tighten large screws (G) with wrench (J).

## Step 5



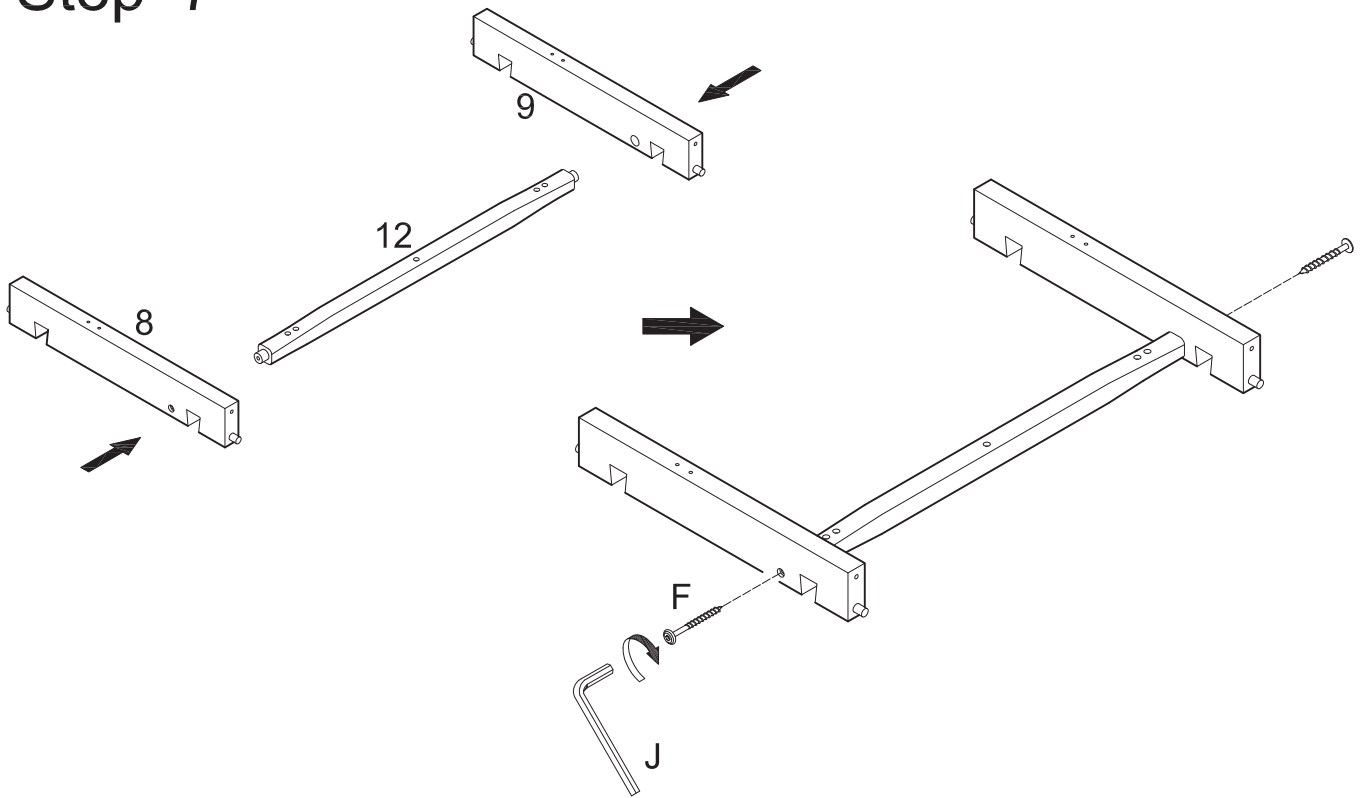
Insert slat (6) into slat (5). Repeat this step for second set of slats (5,6).

## Step 6



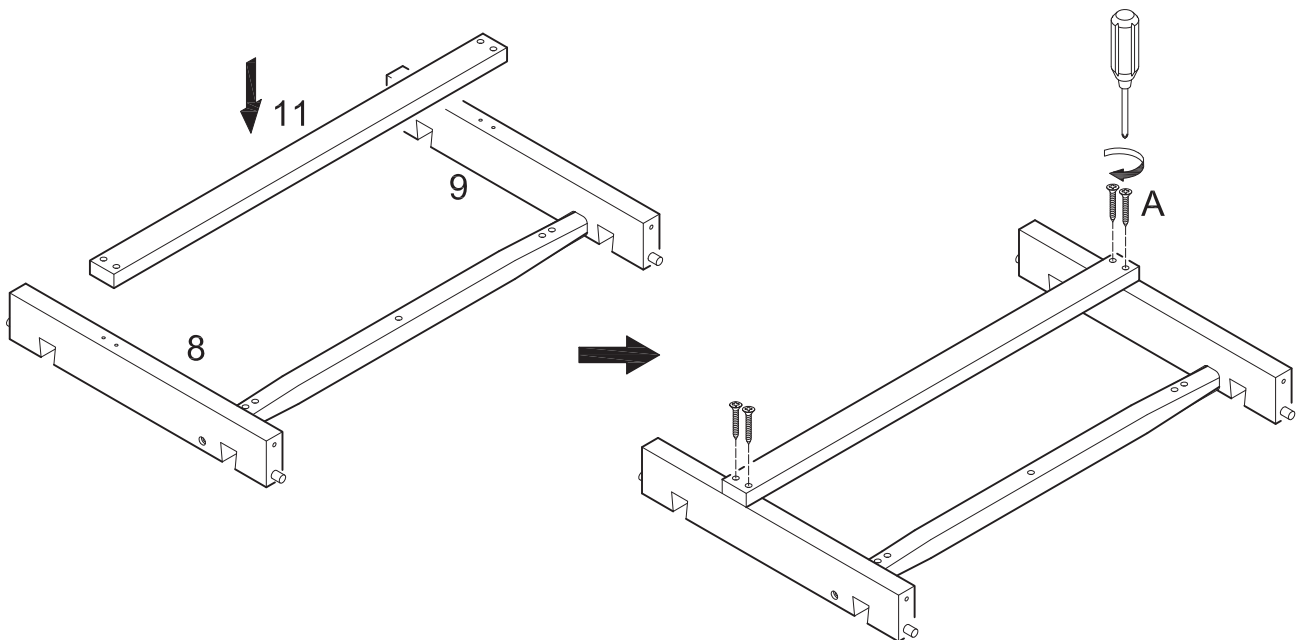
Secure slat (7) to slats (5,6) using small bolts (E). Tighten small bolts (E) with wrench (J). Repeat this step for second set of slats (5,6,7).

## Step 7



Secure slat (12) to slats (8,9) using small screws (F). Tighten small screws (F) with wrench (J).

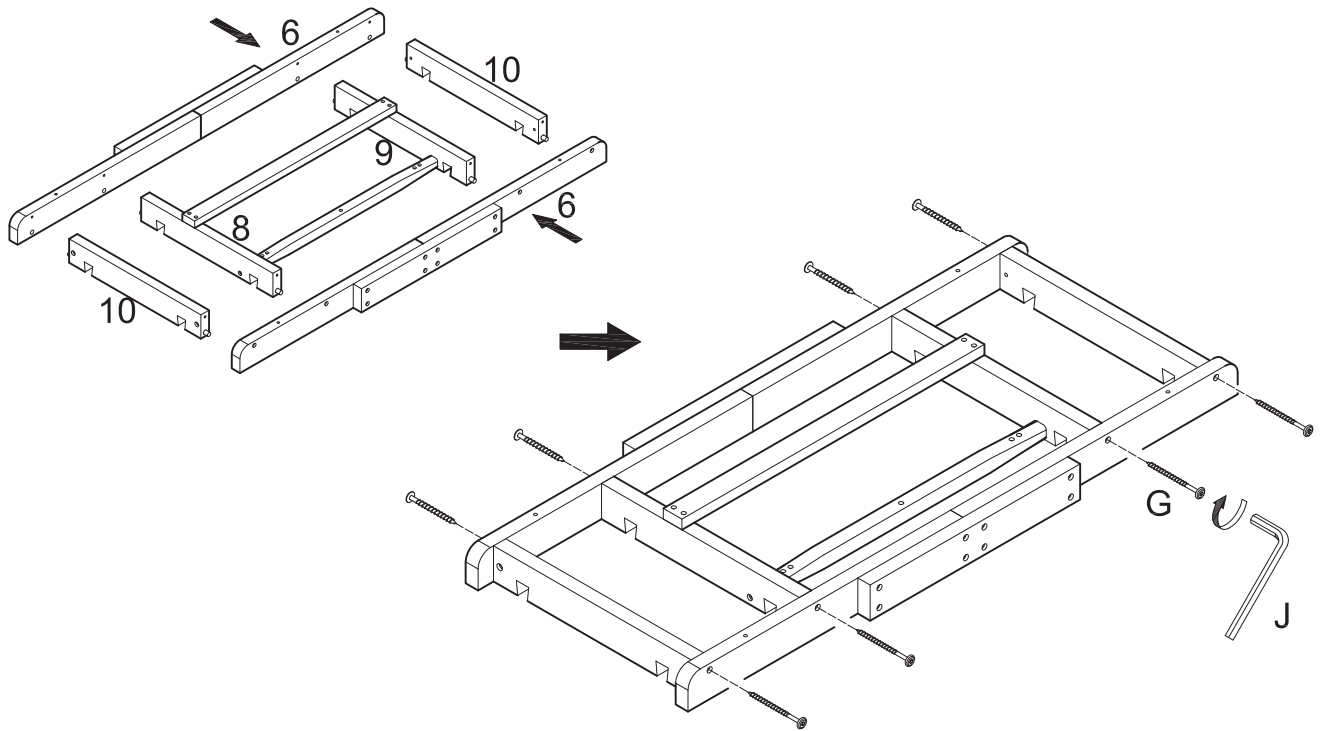
## Step 8



Secure slat (11) to slats (8,9) using small wood screws (A). Tighten small wood screws (A) with a screwdriver.

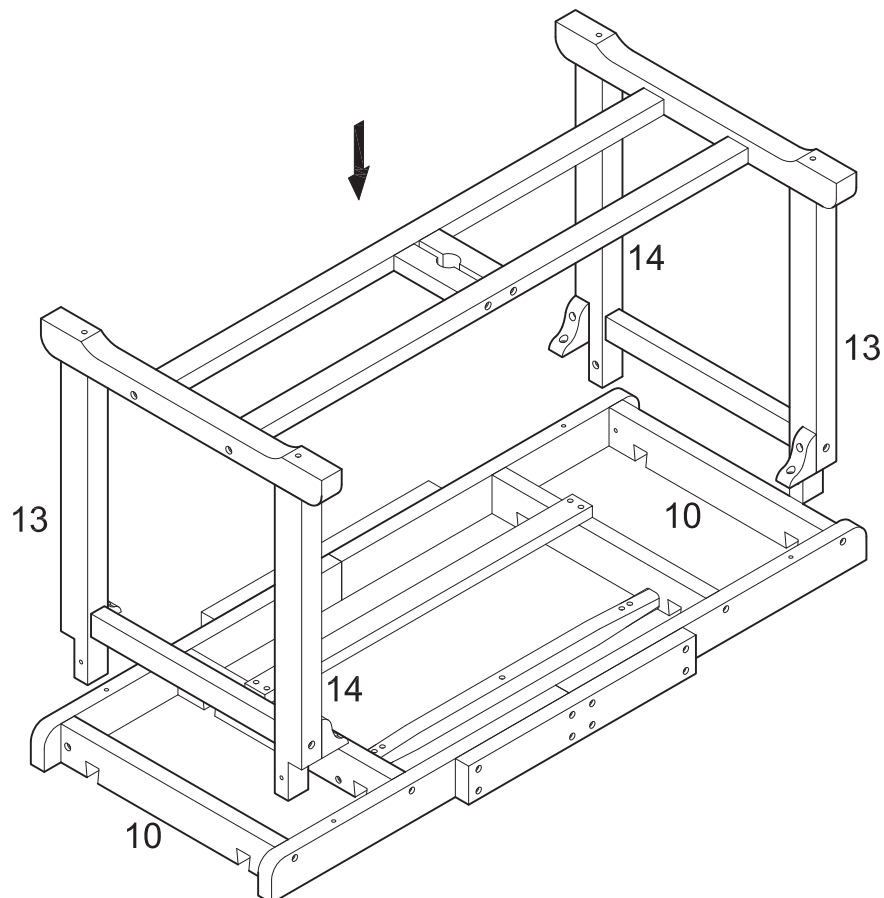


## Step 9



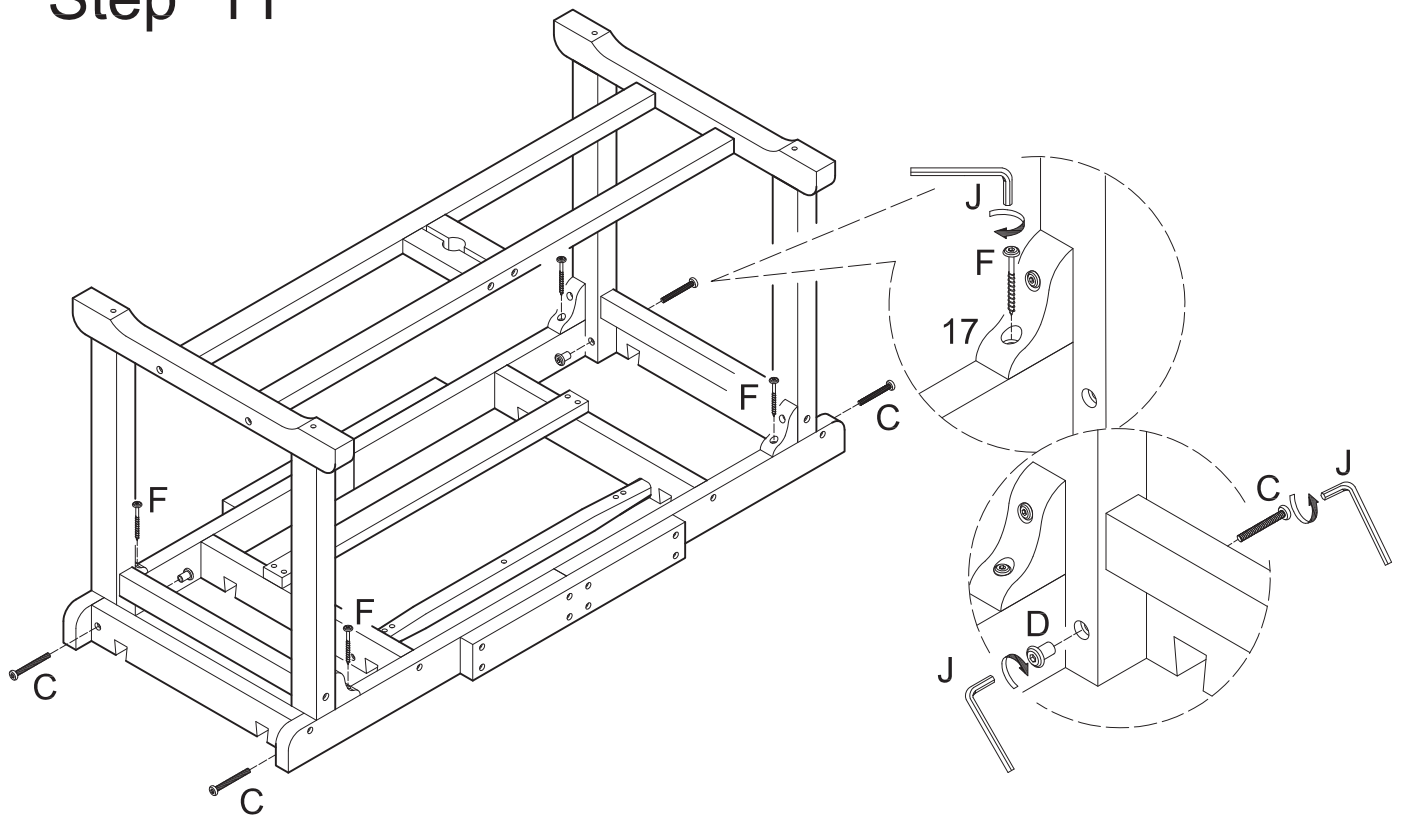
Construct the inner frame of the table by securing the slat (6) assemblies from Step 6 to slats (8,9,10) using large screws (G). Tighten large screws (G) with wrench (J).

## Step 10



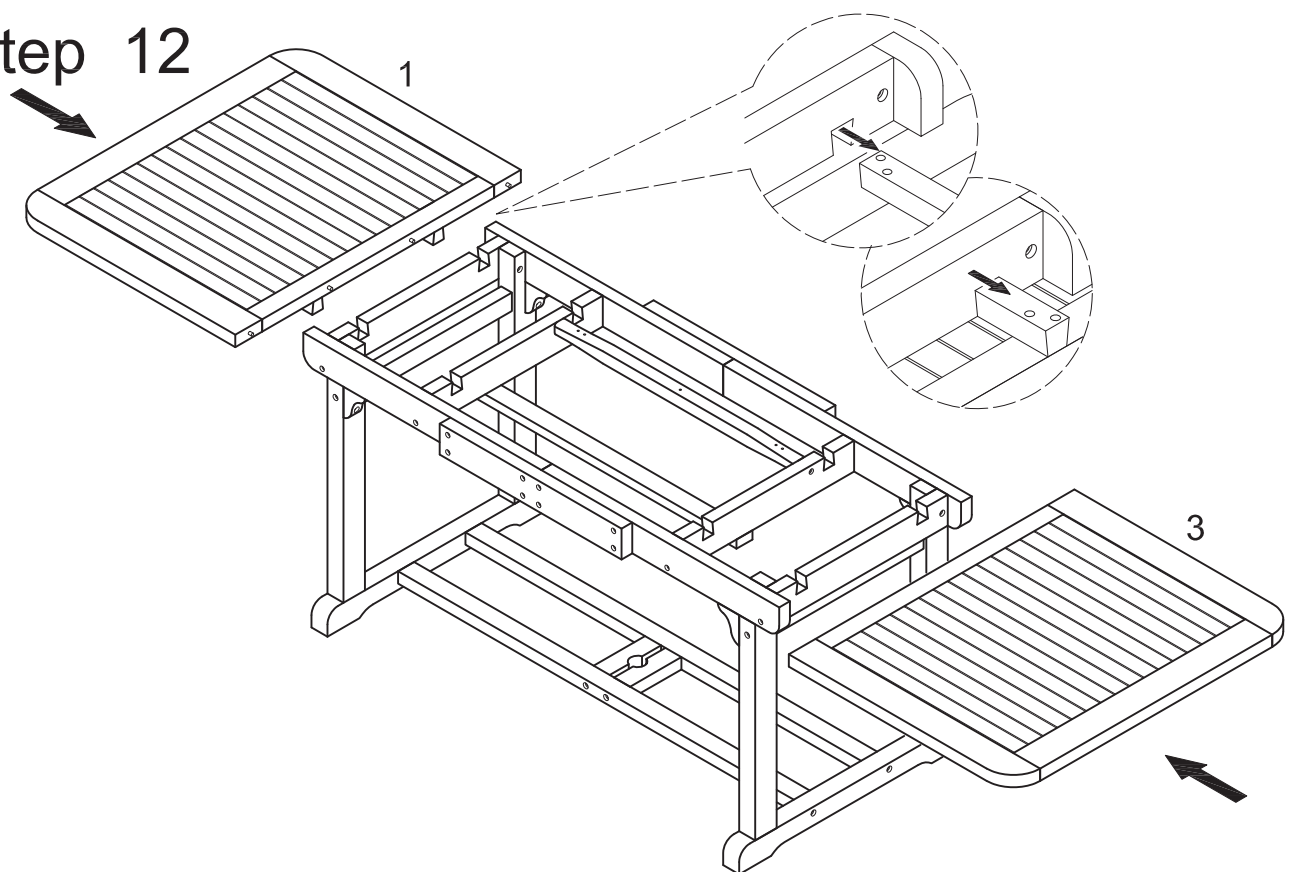
Carefully slide the leg assembly from Step 4 into place along the inner frame assembly from the previous step.

# Step 11



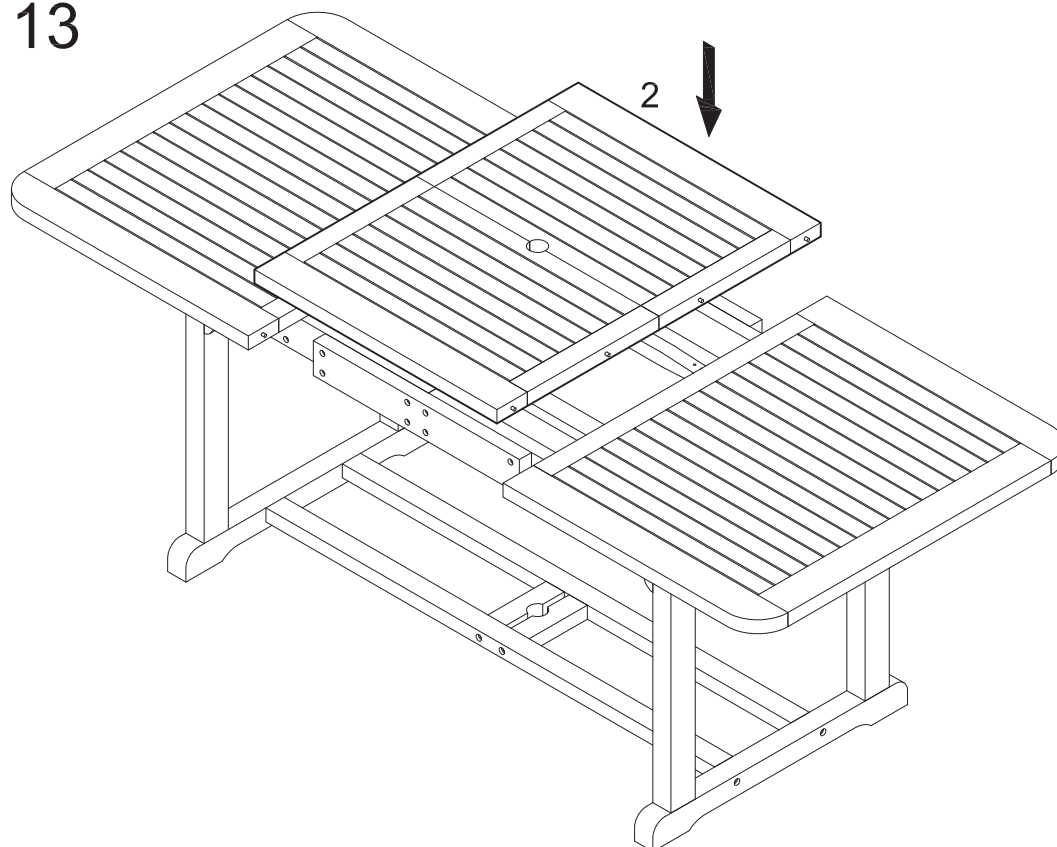
Secure supports (17) to the inner frame assembly using small screws (F). Tighten small screws (F) with wrench (J). Secure each leg to the inner frame assembly using large bolts (C) and sleeve nuts (D). Tighten large bolts (C) and sleeve nuts (D) onto each other using wrenches (J).

# Step 12



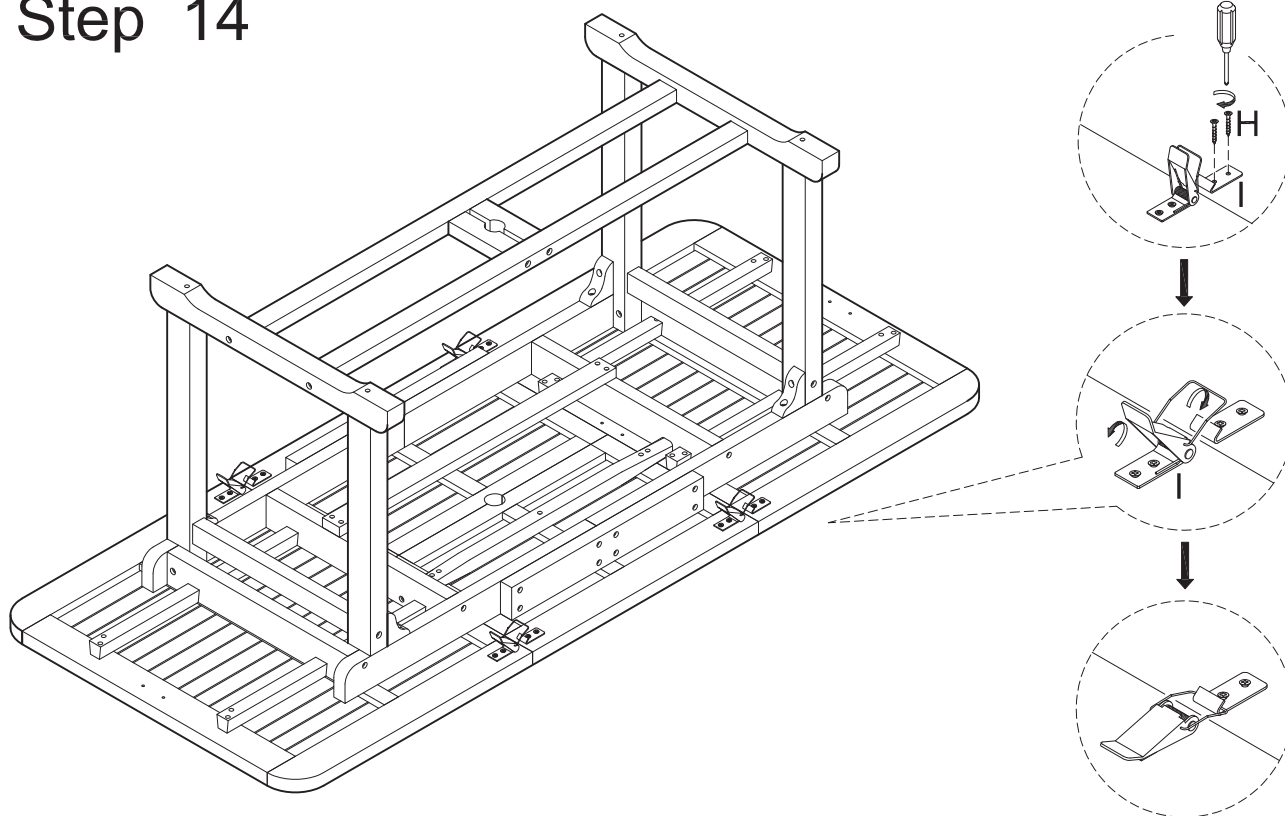
Carefully slide table top sections (1,3) into place.

## Step 13



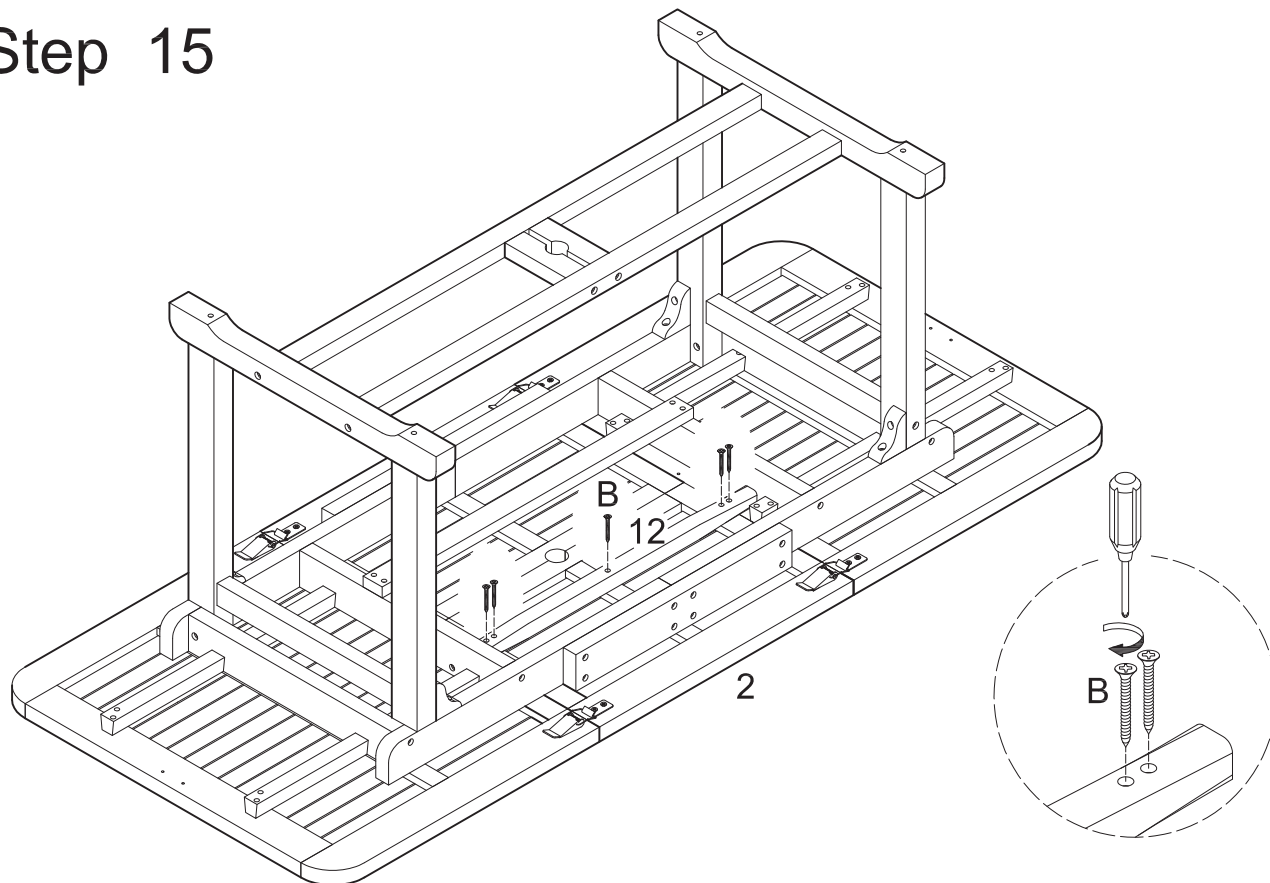
Carefully lay table top section (2) into place.

## Step 14



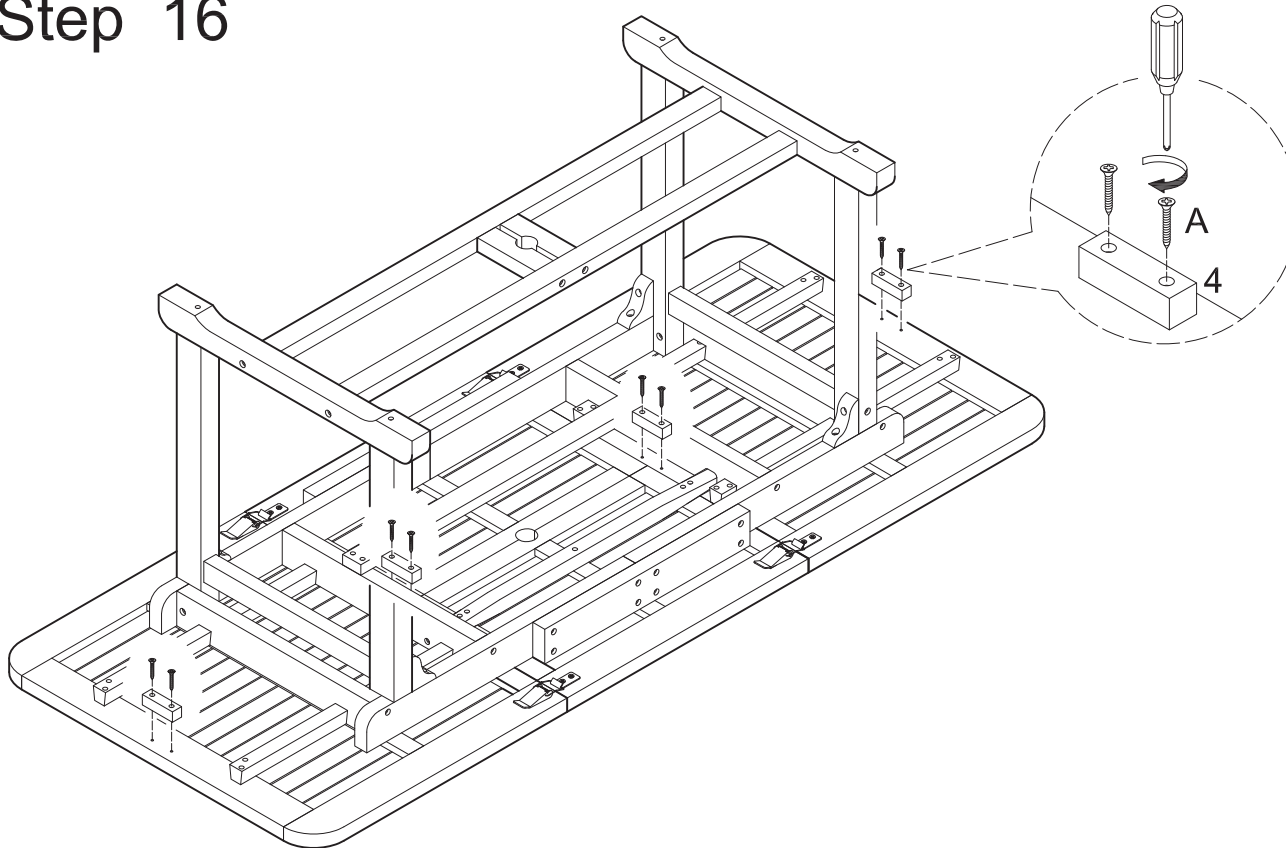
Carefully flip table over onto a soft surface. Attach draw pull latches (I) to table top sections using latch screws (H) as shown above. Tighten screws (H) with a screwdriver. *Insure that draw pull latches (I) can appropriately lock and unlock.* Lock draw pull latches (I).

## Step 15



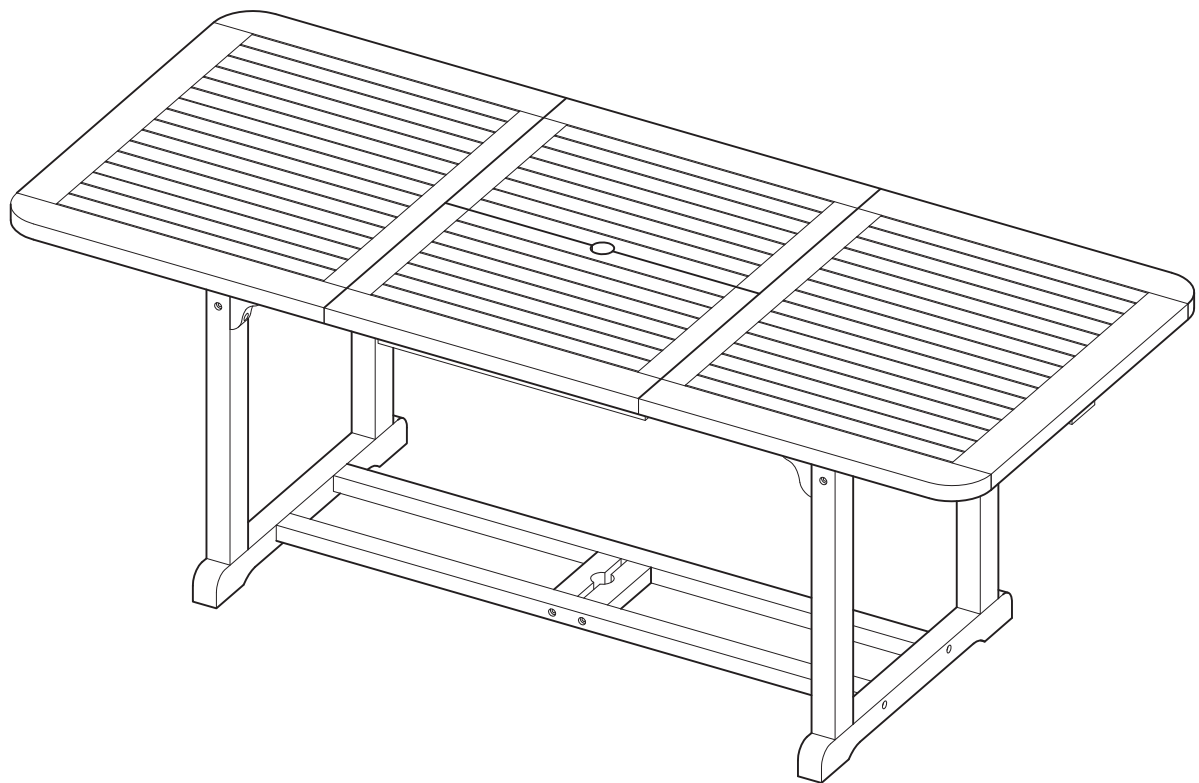
Secure slat (12) to table top section (2) using large wood screws (B). Tighten large wood screws (B) with a screwdriver.

## Step 16



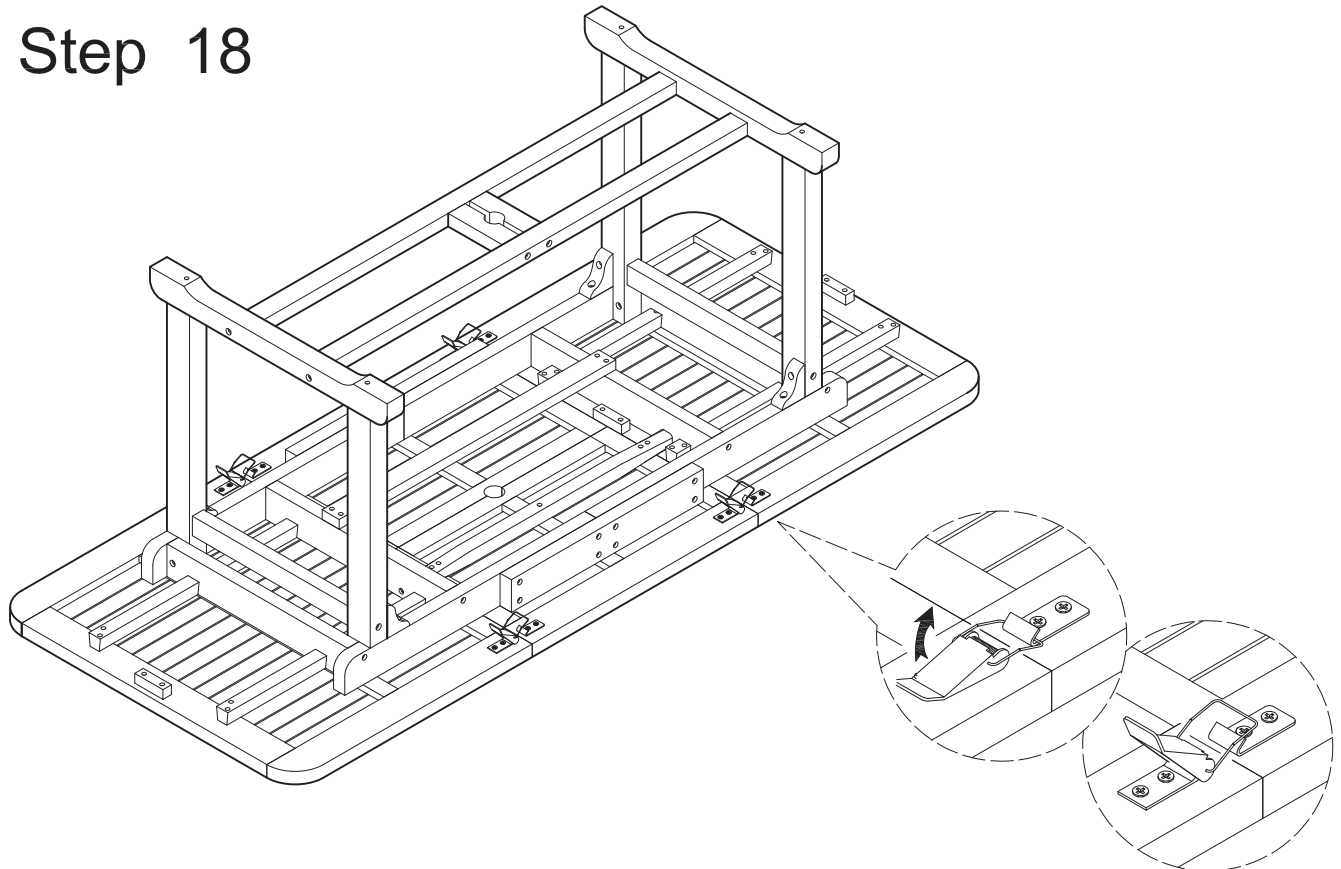
Attach blocks (4) to all table top sections using small wood screws (A) as shown above. Tighten small wood screws (A) with a screwdriver.

## Step 17



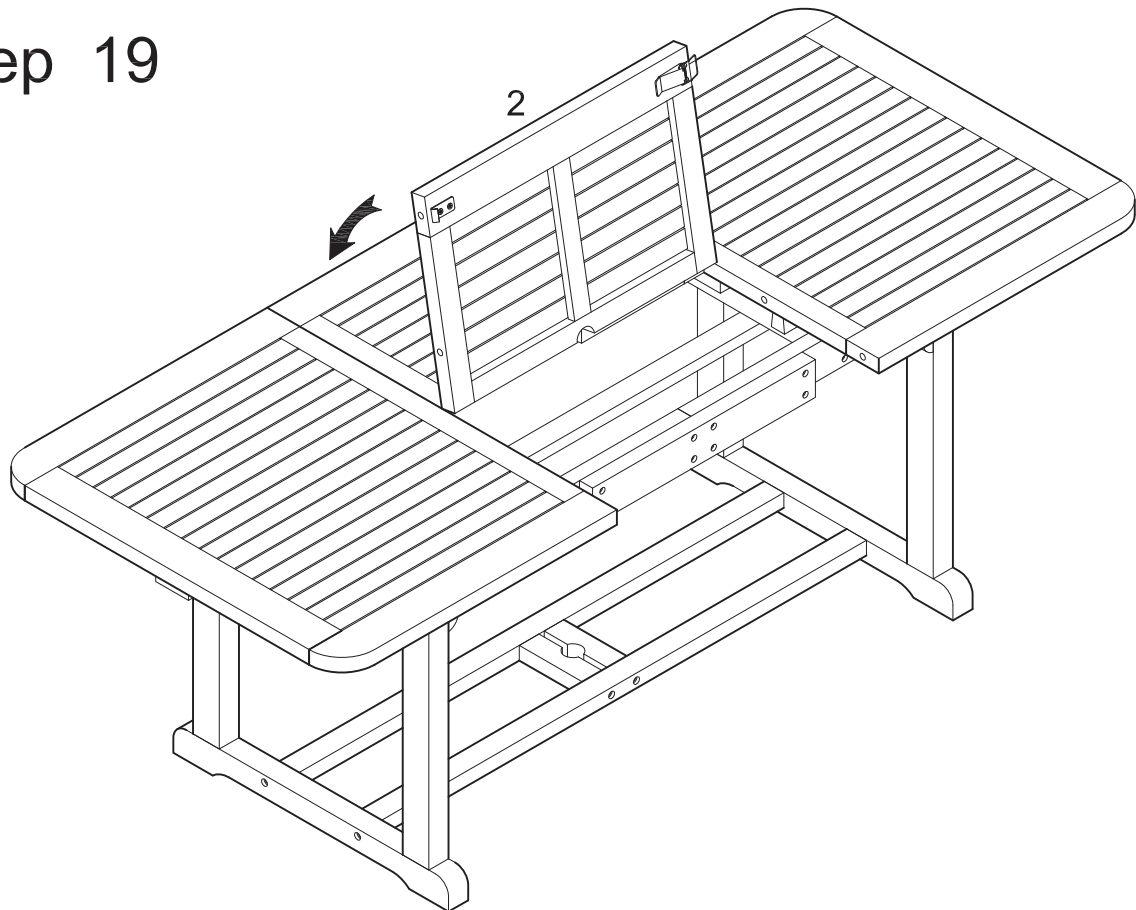
Option A  
Final Assembly

## Step 18



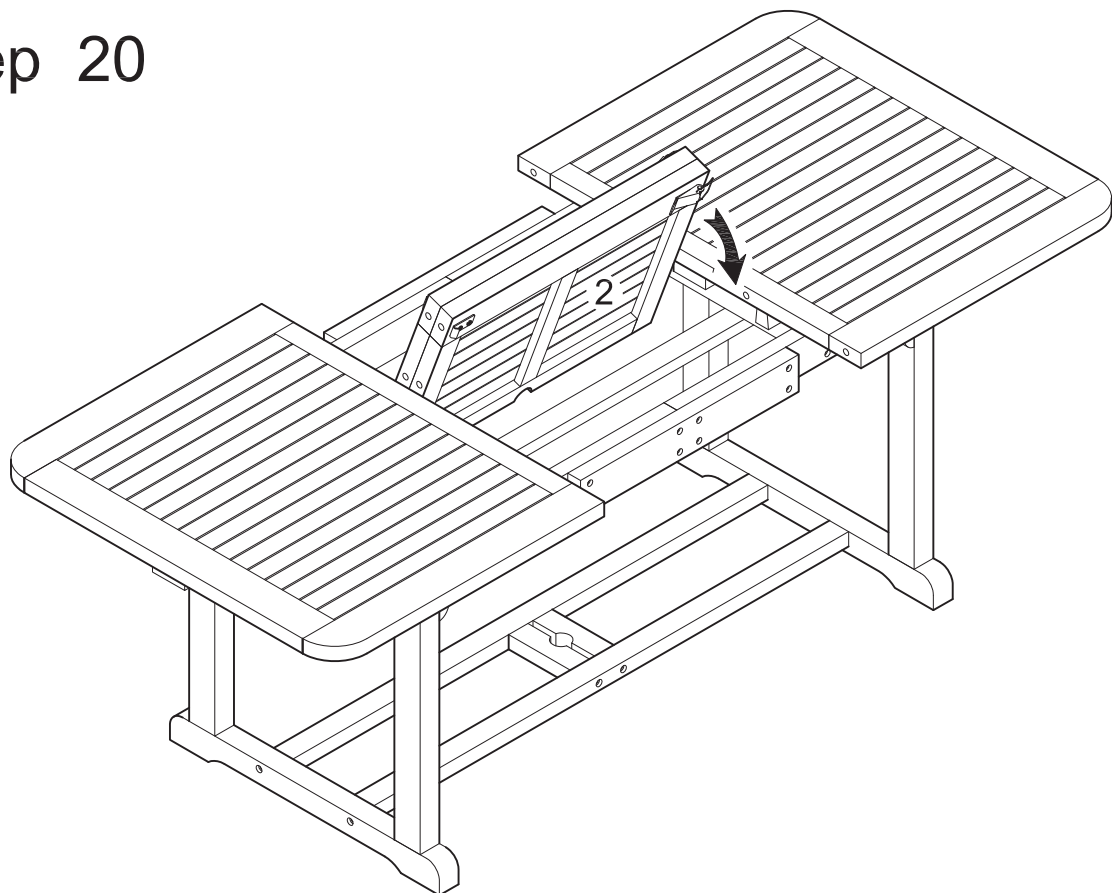
To put the extendable leaf of the table away, unlock the draw pull latches. *You do not need to flip the table over to unlock the draw pull latches. The diagram is shown as such for illustration purposes only.*

## Step 19



Carefully fold table top section (2) over itself.

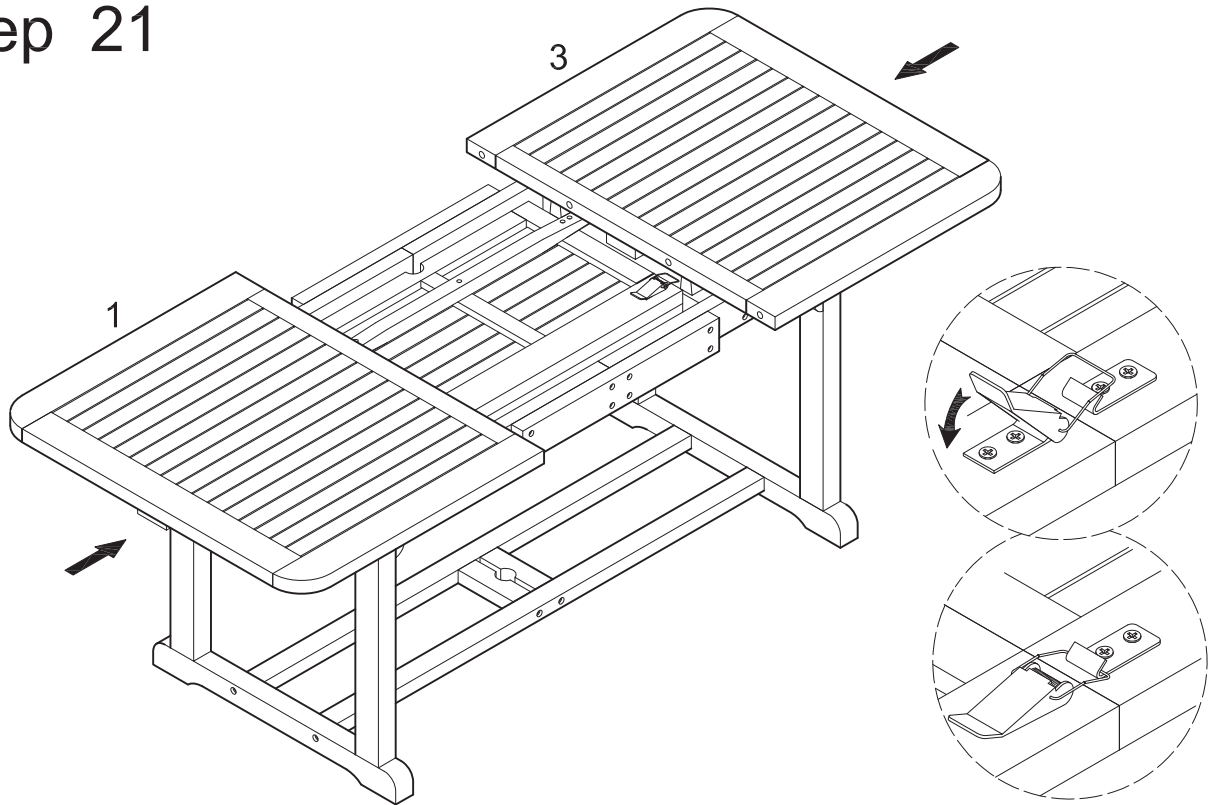
## Step 20



Carefully rotate table top section (2) so it rests on the inner frame of the table.

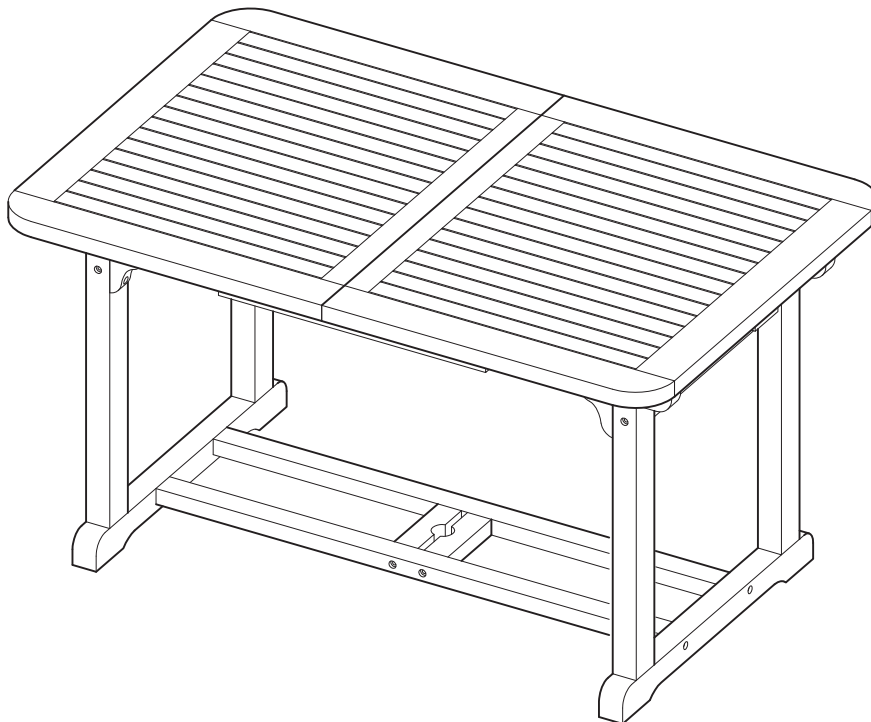


## Step 21



Carefully slide table top sections (1,3) together. Lock draw pull latches of table top sections (1,3) together.

## Step 22



Option B  
Final Assembly