

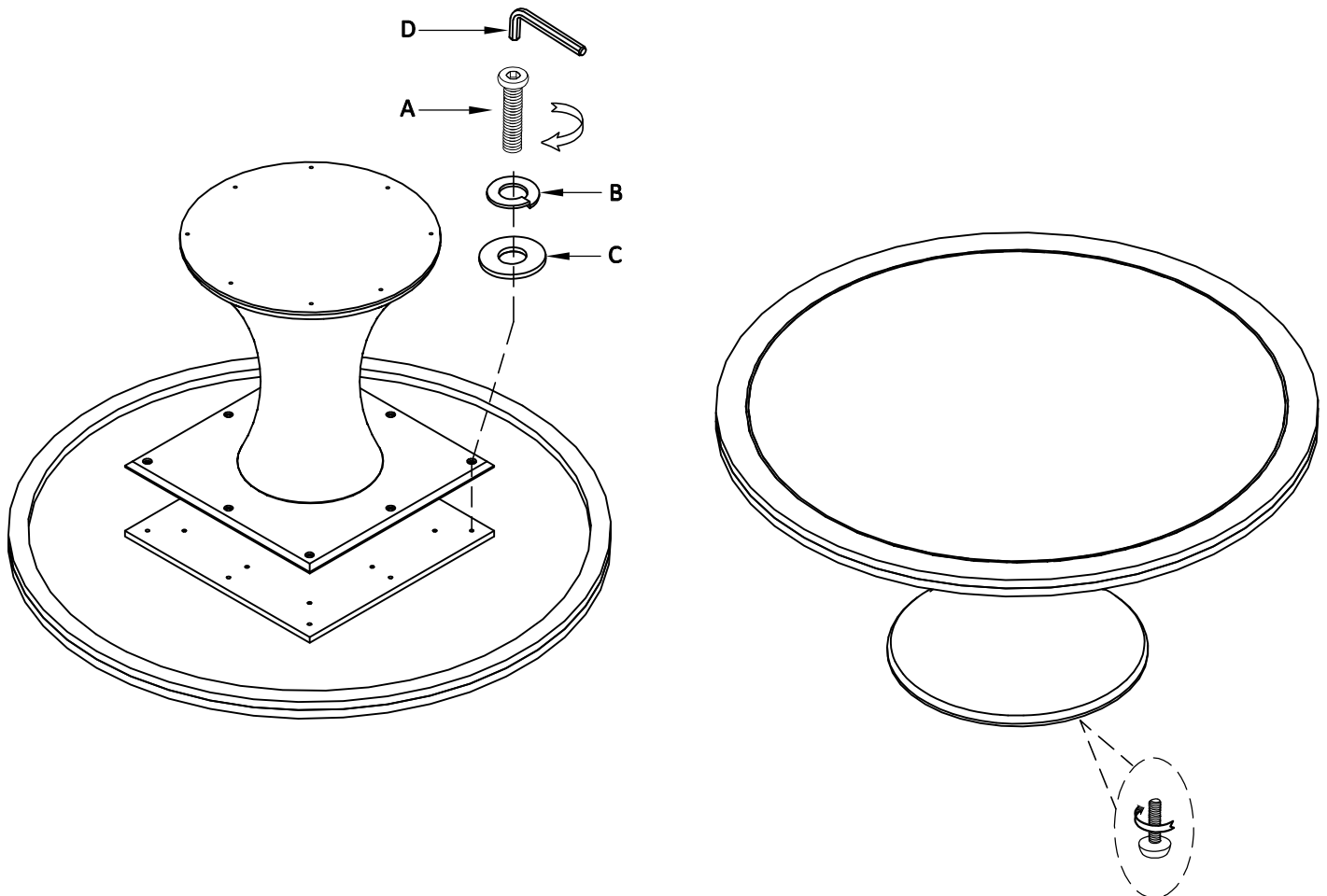
B E R N H A R D T


Assembly Instructions

60" Dining Table Top
Dining Table Base

Model#: 380-272/273
280-272/273

Thank you for purchasing Bernhardt furniture. Please check all packing material to ensure proper assembly. Please read all instructions carefully before starting the assembly process. Some parts are large and heavy and require AT LEAST TWO PEOPLE to assemble, in order to prevent possible injury and/or damage to the piece.



No.	Hardware List		Q'ty
A		Bolt $\text{Ø}5/16'' \times 1-1/4''$	8
B		Lock Washer $\text{Ø}5/16'' \times 12 \times 3$	8
C		Flat Washer $\text{Ø}5/16'' \times 19 \times 2$	8
D		Allen Wrench 5mm	1

Cleaning instruction: Wipe surface to be cleaned with damp cotton cloth; dry immediately with soft dry cotton cloth to remove all moisture.