

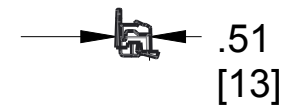
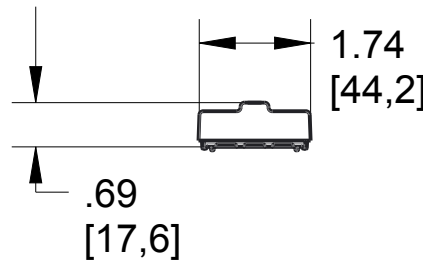
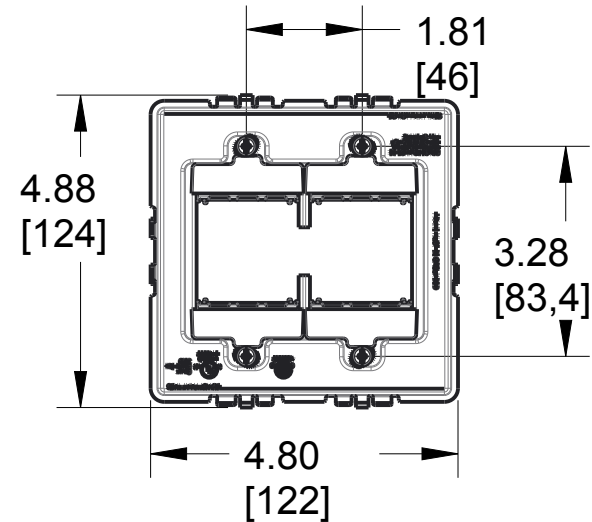
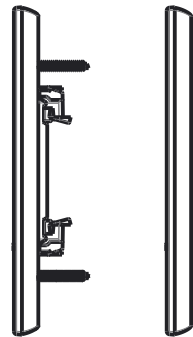
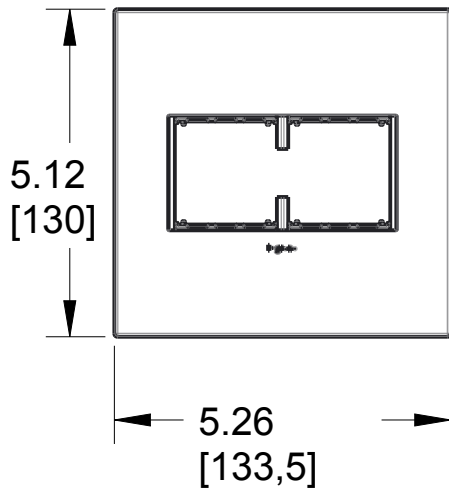
2

1

REV	EC.NO.	DATE	DESCRIPTION	DFTR	CK.
A			INITIAL RELEASE		
A1			REVISION TO DRAWING		



.13  
[3,2]



B



B

A

A

3rd Party Compliance: cULus LISTED,  
cETLus LISTED  
Includes Wallplate, Subframe And Spacers  
Shown  
For Use With adorne System Only  
All adorne System Subframes Are Grounded  
All adorne Wallplates Containing Metal Are  
Grounded

## AWP2G, Wallplate Plastic 2-Gang

MATERIAL	SEE NOTE	UNSPECIFIED TOL. FRAC. $\pm 1/64$ ANGLES $\pm 1.0$ DEC. $.0 \pm 0.02$ DEC. $.00 \pm 0.01$ DEC. $.000 \pm 0.005$	 <b>Pass &amp; Seymour</b> <b>Legrand</b>	
FINISH	SEE NOTE			
DSGN BY: RMR	5/19/2015	MODEL NAME: AWP2G		
DR BY:		SHT 1 of 1	PROJ.	DWG NO.: CD1151
CK BY:		SCALE: 0.333		REV.: A1
NOTICE: Proprietary and confidential information of Pass & Seymour/Legrand Reproduction or disclosure prohibited under penalty of law.				

2

1