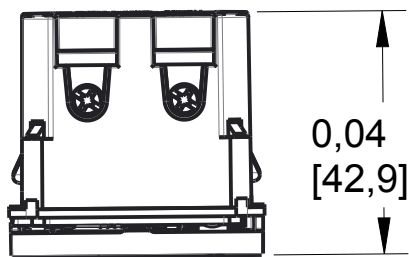


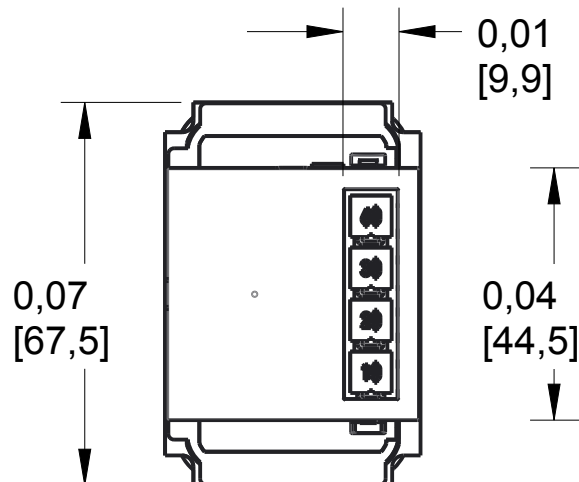
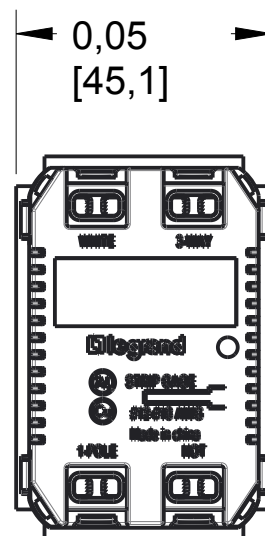
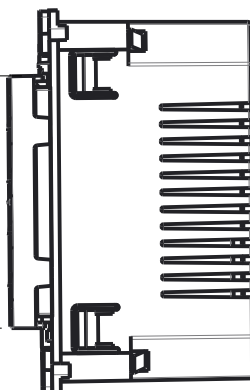
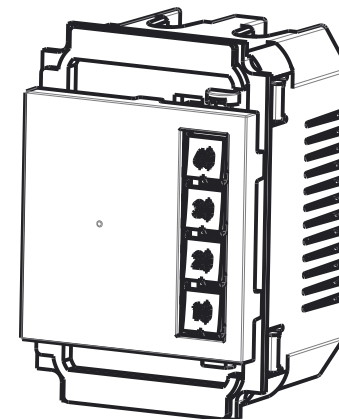
2

1



REV	EC.NO.	DATE	DESCRIPTION	DFTR	CK.
A			INITIAL RELEASE		

B

0,01
[9,9]0,07
[67,5]0,04
[44,5]0,05
[45,1]

B

Must Be Paired With Another SensaSwitch or SensaDimmer For Multi-Way Use

Size Face: 2x2 Module

Size Backbody: 3x2 Module

3rd Party Compliance: cULus LISTED

Rating: 600W, 120VAC, 60Hz,

1/6 Hp, All Loads

Termination: Back Wire Only

Misc: Copper Wire Only

For Use With adorne System Only

ASTM2, SensaSwitch Manual ON/Timed-OFF

MATERIAL	SEE NOTE	UNSPECIFIED TOL. FRAC. $\pm 1/64$ ANGLES ± 1.0 DEC. $.0 \pm 0.02$ $.00 \pm 0.01$ $.000 \pm 0.001$	
FINISH	SEE NOTE		
DSGN BY:	6/1/2015	MODEL NAME:	ASTM2
DR BY:		SHT 1of1	PROJ.
CK BY:		SCALE: 0.750	DWG NO.: CD1177
			REV.: A

NOTICE: Proprietary and confidential information of Pass & Seymour/Legrand
Reproduction or disclosure prohibited under penalty of law.

2

1

A

A