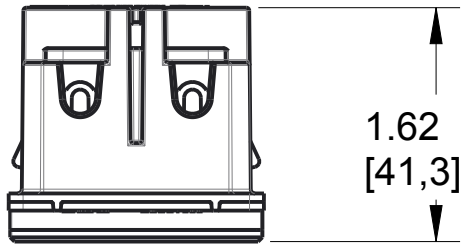


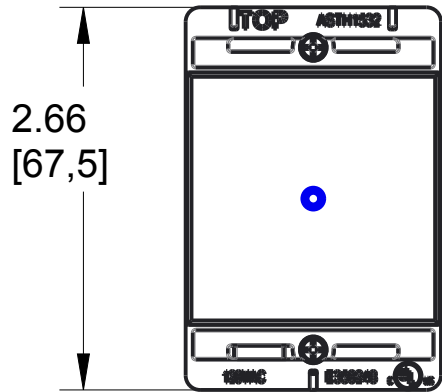
2

1

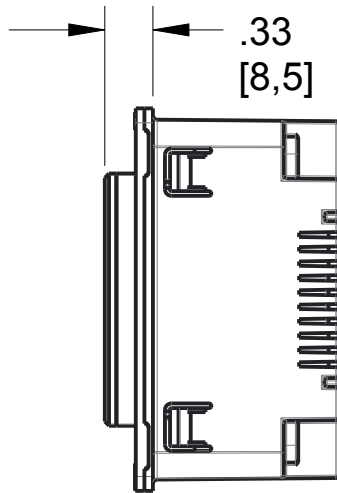
REV	EC.NO.	DATE	DESCRIPTION	DFTR	CK.
A			INITIAL RELEASE		



1.62
[41,3]

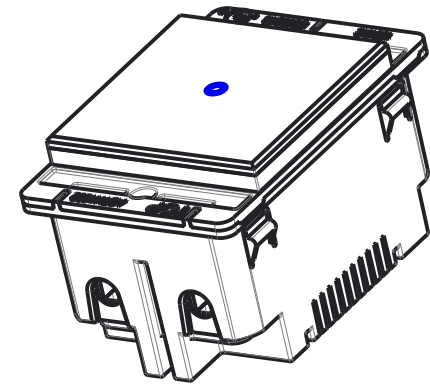
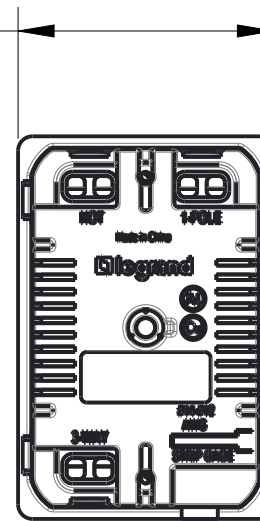


2.66
[67,5]



.33
[8,5]


1.77
[45]



Size Face: 2x2 Module
Size Backbody: 3x2 Module
3rd Party Compliance: cULus LISTED

Rating:
15amp, 120VAC, 1/2 HP, All Loads
Termination: Back Wire Only
Misc: Copper Wire Only
Accepts Locator Status Light
For Use With adorne System Only

ASTH1532, Touch Switch

MATERIAL	SEE NOTE	UNSPECIFIED TOL. FRAC. $\pm 1/64$ ANGLES ± 1.0 DEC. $.0 \pm 0.02$ $.00 \pm 0.01$ $.000 \pm 0.005$	 MODEL NAME: ASTH1532	
FINISH	SEE NOTE			
DSGN BY:	5/27/2015		DR. BY:	
DR. BY:		SCALE: SHT 1of1	PROJ.	DWG. NO.: CD1175
CK. BY:		SCALE: 0.750		REV.: A

NOTICE: Proprietary and confidential information of Pass & Seymour/Legrand
Reproduction or disclosure prohibited under penalty of law.

2

1