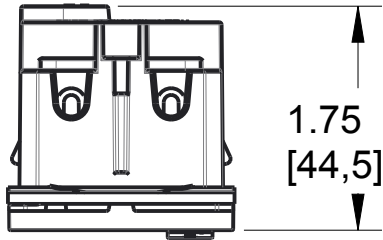


2



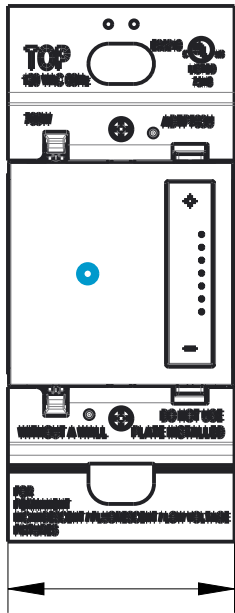
1.75  
[44,5]

1

REV	EC.NO.	DATE	DESCRIPTION	DFTR	CK.
A			INITIAL RELEASE		

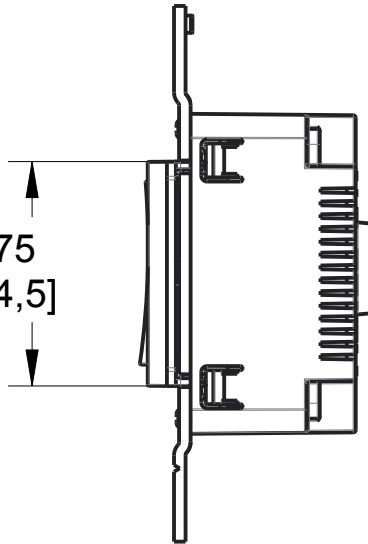
B

B

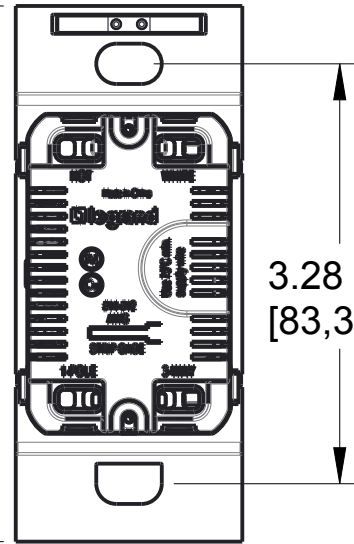


1.75  
[44,5]

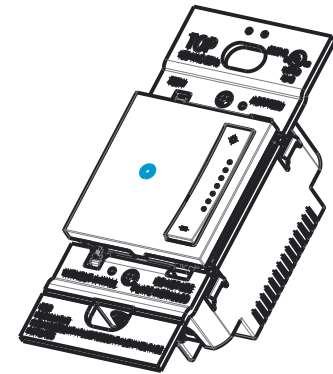
1.77  
[45]



4.19  
[106,3]



3.28  
[83,3]



SCALE 0.500

A

A

Size Face: 2x2 Module  
 Size Backbody: 3x2 Module  
 3rd Party Compliance: cULus LISTED  
 Rating:  
 6W-700W, Incandescent  
 6W-700W, Halogen  
 6W-700W, Forward-Phase ELV  
 6W-700W, MLV  
 6W-700W, Fluorescent  
 6W-450W, CFL  
 6W-450W, LED  
 6W-450W, Reverse-Phase ELV  
 Termination: Back Wire Only  
 Misc: Use Copper Wire Only  
 For Use With adorne System Only

ADTP703U, sofTap Tru-Universal Dimmer					
MATERIAL	SEE NOTE	UNSPECIFIED TOL. FRAC. ± 1/64 ANGLES ± 1.0 DEC .0 ± 0.02 .00 ± 0.01 .000 ± 0.005		 	
FINISH	SEE NOTE			MODEL NAME: ADTP703U	
DSGN BY:	5/27/2015				
DR BY:		SHT 1of1	PROJ.	DWG NO.:	REV.:
CK BY:		SCALE: 0.667		CD1172	A
NOTICE: Proprietary and confidential information of Pass & Seymour/Legrand Reproduction or disclosure prohibited under penalty of law.					

2

1