

*Belle Forêt*  
collection

## **N490 00** **DECK MOUNT HANDSHOWER**

---

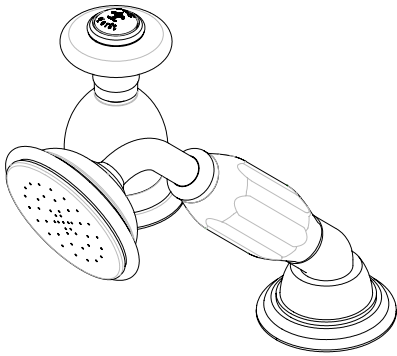
### **Product Features**

3" maximum deck thickness

Handheld showerhead

Pull-up diverter with internal vacuum breaker

Stainless steel handshower hose



**N490 00**

### **Standards/Approvals**

N490 00 meets or exceeds:

ANSI/ASME A112.18.1

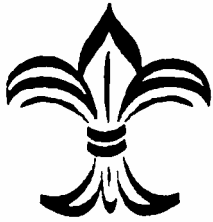
IAPMO/UPC

Massachusetts

**UPC®**

### **PRODUCT SPECIFICATION:**

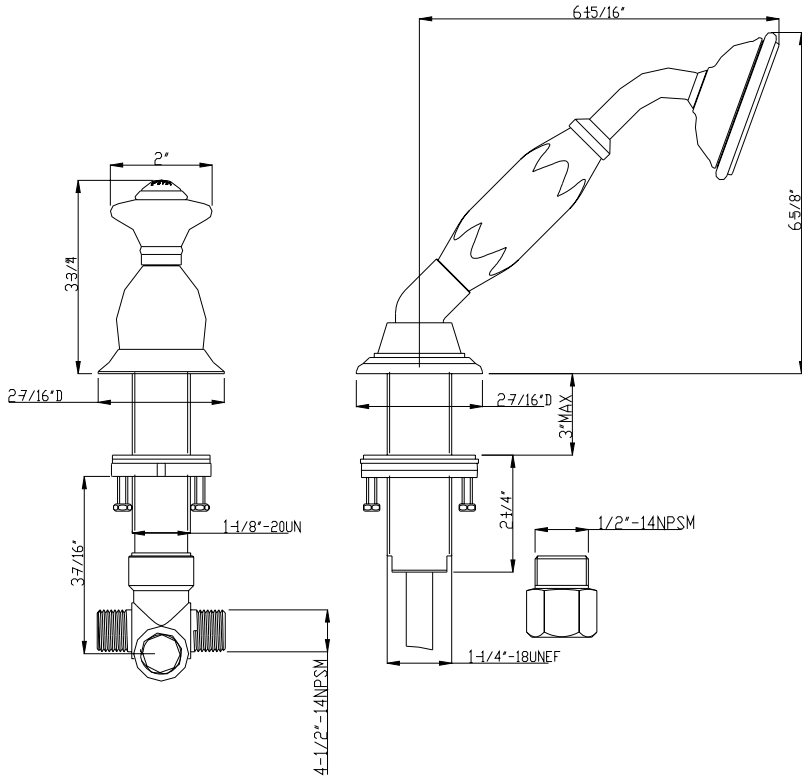
Deck mount handshower shall have a brass body, handheld shower and push pull diverter. Product shall be Belle Forêt model N490 00.



*Belle Forêt*  
collection

# N490 00

## DECK MOUNT HANDSHOWER

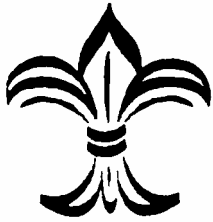


### Other Specifications

Faucet hole diameter	
Spout	1-1/2"
Handshower	1-1/2"
Base Ring	2-7/16" D x 1/2" H
Max Deck Thickness	3"
Braided Hoses	
	1/2" NSPM x 1/2" NPSF x 20 3/4" (1 hose)
	1/2" NSPM x 3/4" NPSF x 20 3/4" (1 hose)
	1/2" NPSF x 3/4" NPSF x 23 1/2" (2 hoses)

### Available Finishes

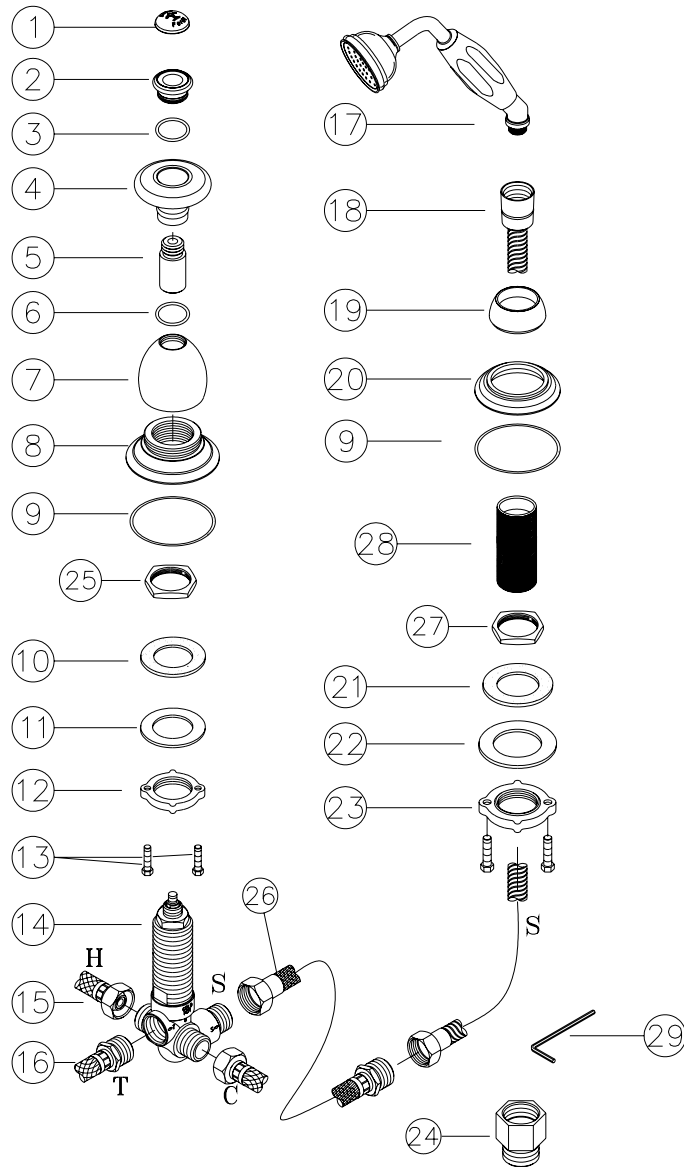
- Chrome
- Polished Brass
- Satin Nickel
- Oil Rubbed Bronze
- Matte Nickel
- Weathered Copper

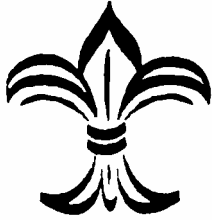


Belle Forêt  
collection

# N490 00 DECK MOUNT HANDSHOWER

## PARTS BREAKDOWN





*Belle Forêt*  
collection

# N490 00

## DECK MOUNT HANDSHOWER

### PARTS LISTING

No	Name	Kit / Part #	Q'ty
1	Porc. Index	663138xx	1
2	Index		1
3	O-RING		1
4	Knob		1
29	Allen wrench		1
5	Connector	N/A	1
6	O-RING		1
7	Canopy		1
8	Trim ring		1
9	O-RING		1
10	Rubber washer		1
11	Metal washer		1
12	Lock nut		1
13	Screw		2
14	Diverter valve body		1
15	Hot/Cold Flex hose	134015	1
16	Spout Flex hose	134011	1
17	Handshower	N/A	1
18	Handshower Hose		1
19	Handshower holder		1
20	Trim ring		1
21	Seal		1
22	Metal washer		1
23	Lock nut		1
24	Spout adapter		1
25	Upper lock nut		1
26	Braided Handshower hose		105140
27	Upper lock nut	N/A	1
28	Shank		1
29	Allen wrench		1

xx designates finish matched parts.