

# ASSEMBLY INSTRUCTIONS

*MODEL : E4352 Wall Unit*

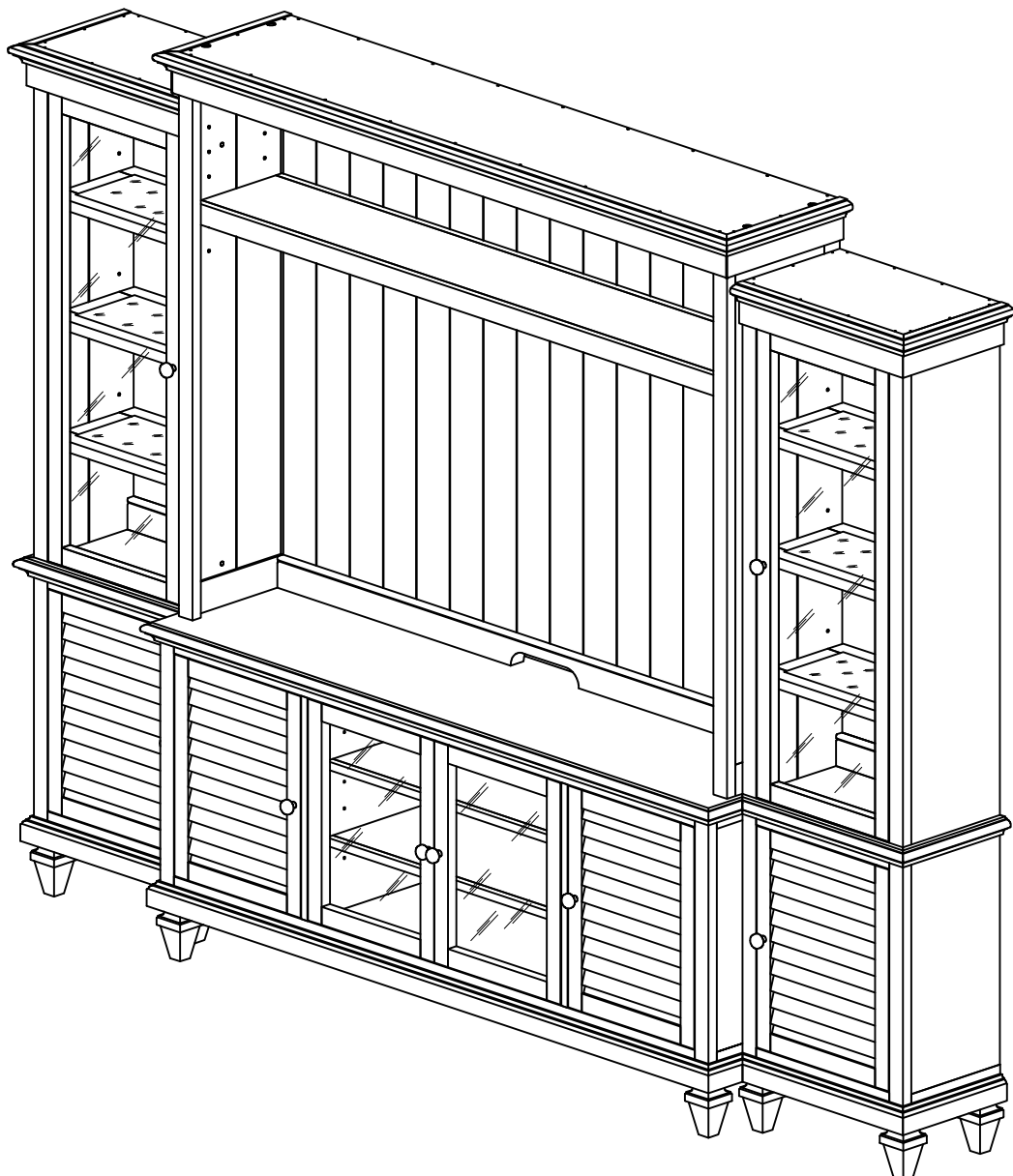
**CAUTION:** PLEASE READ ALL INSTRUCTIONS BEFORE STARTING THE ASSEMBLY OF THIS PRODUCT. THESE PIECES ARE HEAVY. IN ORDER TO PREVENT PERSONAL INJURY AND ENSURE THAT THIS PRODUCT IS NOT DAMAGED DURING THE ASSEMBLY PROCESS. IT IS STRONGLY RECOMMENDED THAT YOU ENLIST THE ASSISTANCE OF ONE OR MORE PEOPLE IN CASE OF EXCESS STAIN, WIPE THE BOTTOM OF THE UNIT BEFORE PLACING ON ANY SURFACE.

**ATTENTION:** VEUILLEZ LIRE TOUTES LES INSTRUCTIONS AVANT DE COMMENCER L'ASSEMBLAGE DE CE PRODUIT. LES PIECES SONT LOURDES. POUR EVITER TOUTE BLESSURE ET POUR VOUS ASSURER QUE LE PRODUIT N'EST PAS ENDOMMAGE' PENDANT L'ASSEMBLAGE, NOUS VOUS RECOMMANDONS DE FAIRE APPEL A UNE OU PLUSIEURS AUTRES PERSONNES. EN CAS DE TACHE EXCESSIVE, ESSUYEZ LE FOND DE L'UNITÉ AVANT LE PLACEMENT SUR N'IMPORTE QUELLE SURFACE

**CUIDADO:** FAVOR DE LEER TODAS LAS INSTRUCCIONES ANTES DE ENSAMBLAR SU PRODUCTO, ESTAS PIEZAS SON PESADAS. PARA PREVENIR HERIDAS PERSONALES Y ASEGURAR QUE SU PRODUCTO NO SEA DAN ADO MIENTRAS ES ENSAMBLADO. SE RECOMIENDA LA ASISTENCIA DE UNA O MAUS PERSONAS.

**WARNING.....**PROTECTIVE GLIDE IS PLACED UNDER LEGS OF FURNITURE TO RESIST SCRATCHES TO FLOOR SURFACE. SOME FLOOR SURFACES CAN BE EXTRA SENSITIVE TO MARKING, IF YOU ARE NOT SURE CONSULT WITH YOUR DEALER.

**AVERTISSEMENT...**LES PIEDS DES MEUBLES SONT MUNIS DE PATINS DESTINES A PROTEGER LE PLANCHER. CERTAINS REVETEMENTS DE SOL PEUVENT ETRE TRES FRAGILES. EN CAS DE DOUTE. CONSULTER LE MARCHAND.



## **LIST OF PARTS:**

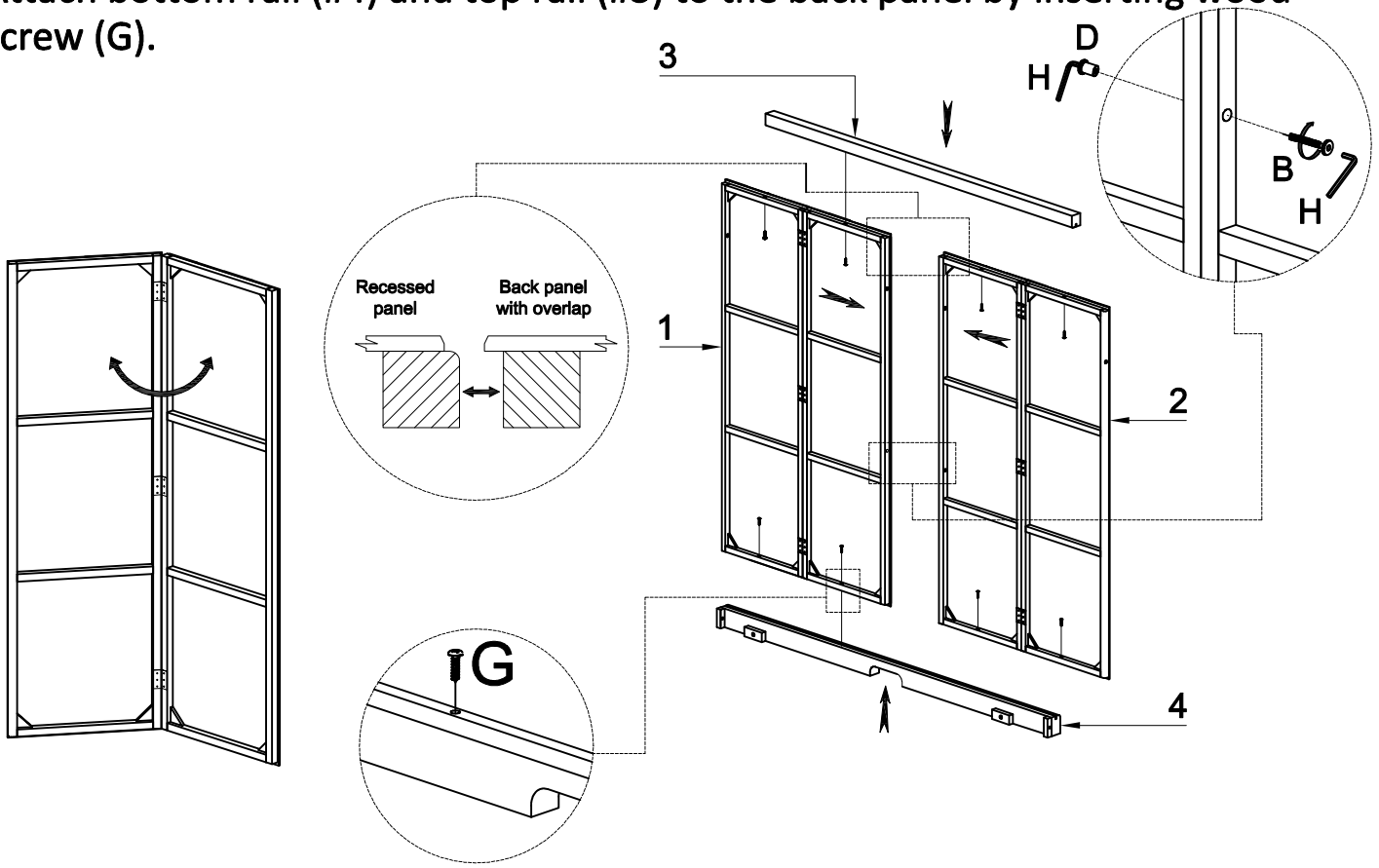
<b>No.</b>	<b>Description</b>	<b>Q'ty</b>
1	Back panel 1	1
2	Back panel 2	1
3	Top back rail	1
4	Bottom back rail	1
5	Top cap frame	1
6	Left side	1
7	Right side	1
8	Removable shelf	1

## LIST OF HARDWARE:

No.	Description			Q'ty
A		Bolt	Φ 1/4"x 22mm	10
B		Bolt	Φ 1/4"* 38mm	6
C		Bolt	Φ 1/4"* 70mm	4
D		End Cap	Φ 1/4"x 21mm	10
E		Shelf clip		4
F		Screw	Φ 3.5x 15mm	4
G		Screw	Φ 4x 30mm	8
H		Allen Key	4mm	2

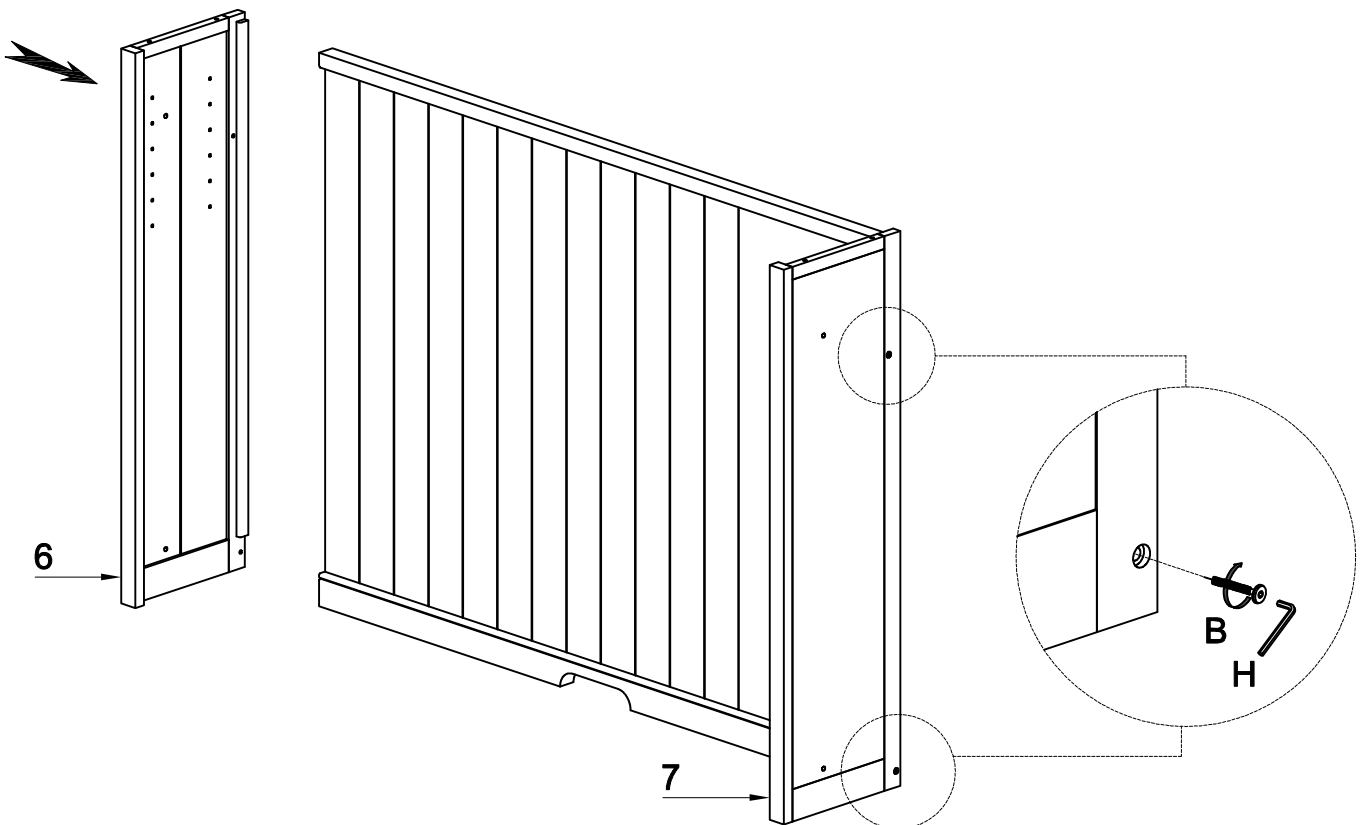
**Step 1: Back Panel Assembly:**

Remove the 3 hinged back panels section and lay on a soft, flat surface. Attach the 2 frames together using bolts (B) and end cap bolts (D) and tighten. Attach bottom rail (#4) and top rail (#3) to the back panel by inserting wood screw (G).



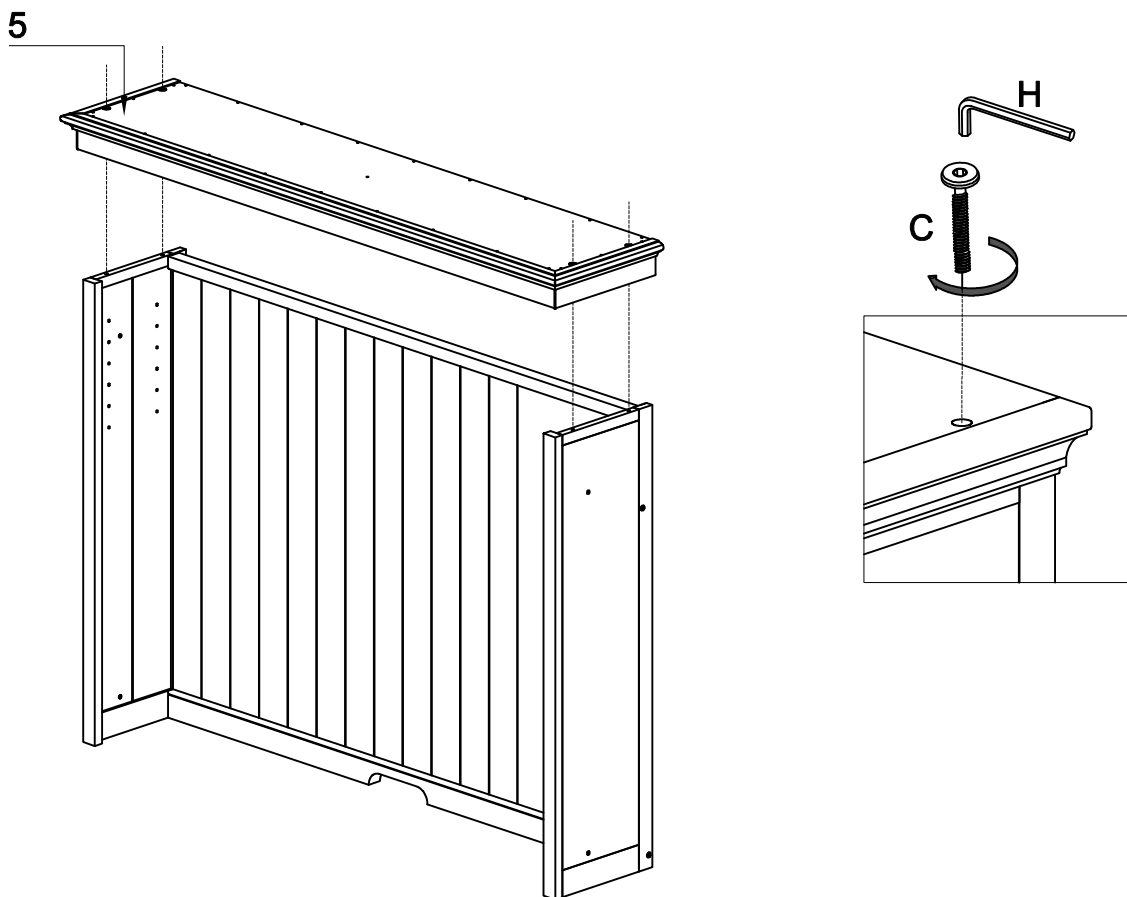
**Step 2:**

Install assembled back panel to the left side (#6), right side (#7) and secure using bolts (B) at locations shown



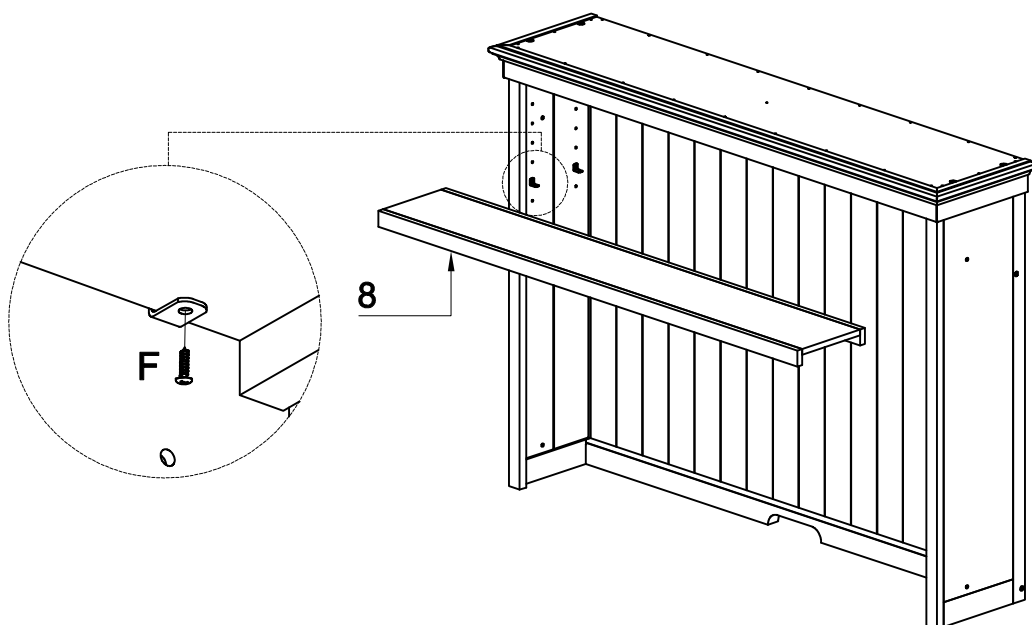
**Step 3:**

Place the Top cap frame (#5) on the top of the hutch, ensuring that it is properly set on the side panel and back rail of the hutch. Using bolts (C) to tighten.



**Step 4:**

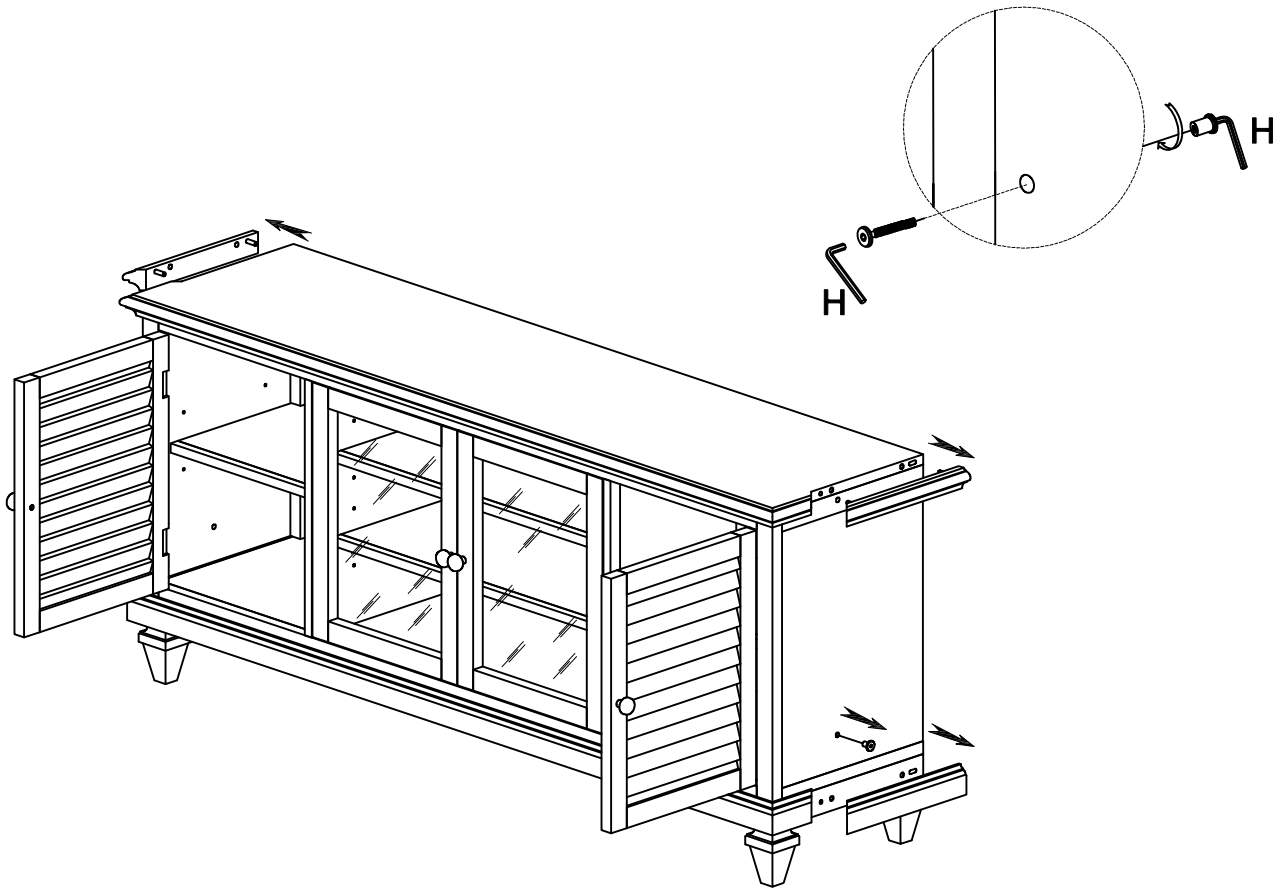
Insert removable shelf (#8) by using shelf clip (E) & screw (F).



**Step 5:**

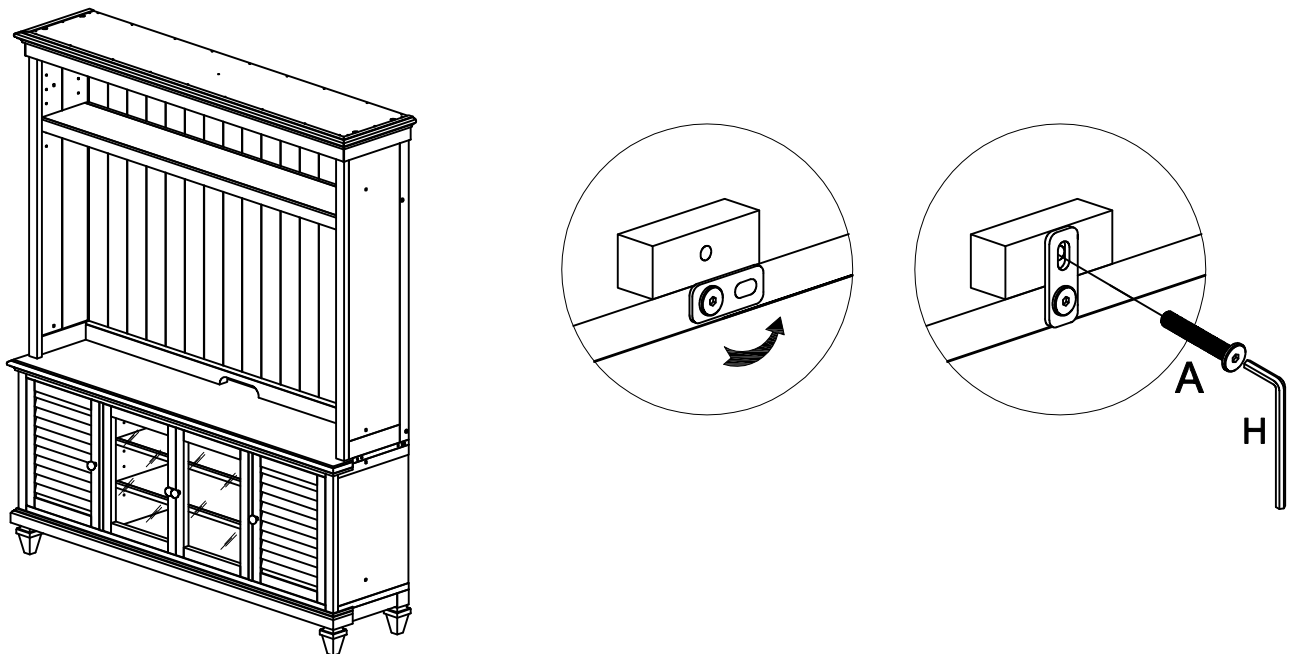
Remove the top & bottom profile on console.

Remove the bolts & end cap bolts out off console by allen key.



**Step 6:**

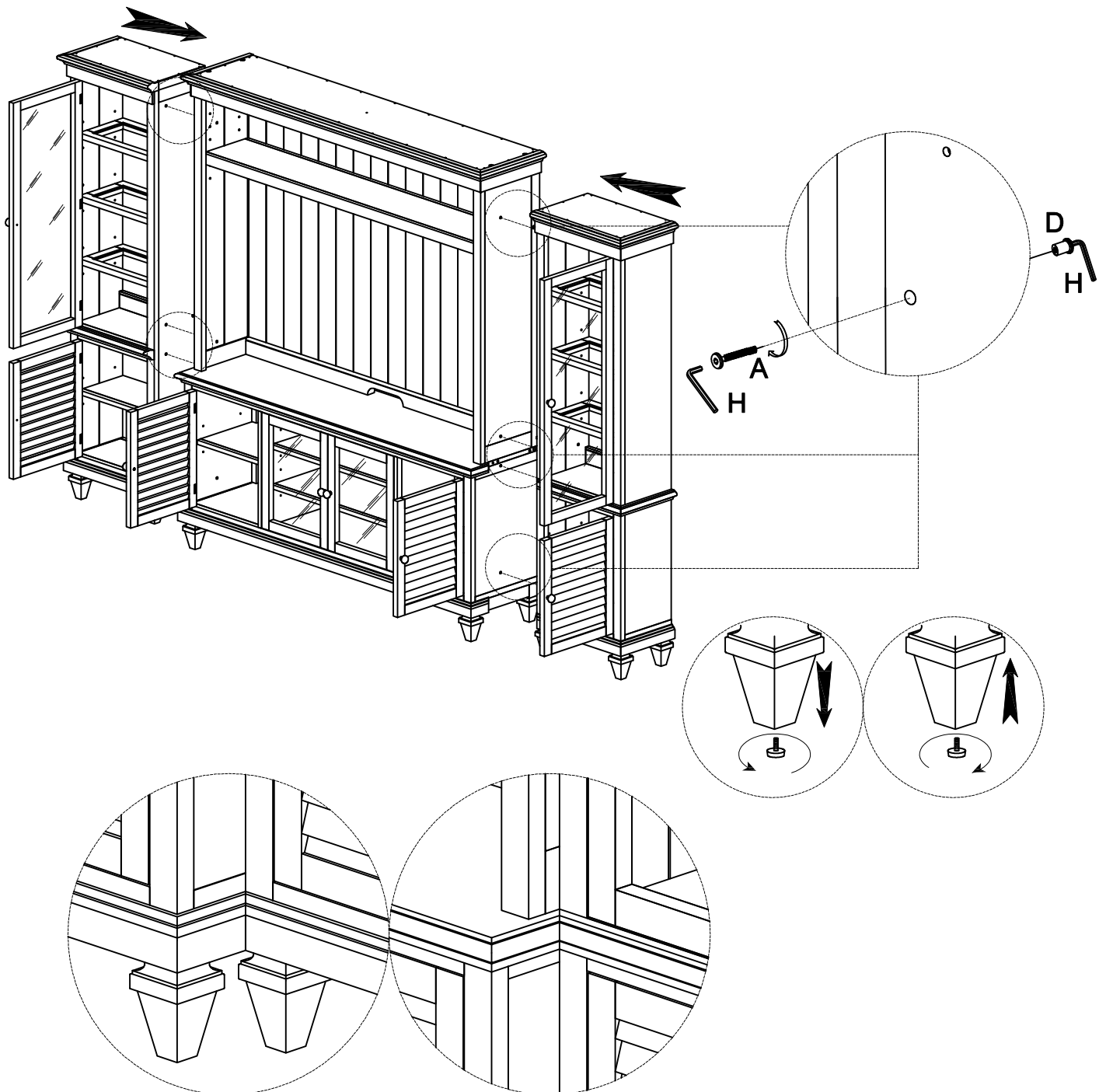
Place the Hutch on the top of the Console, ensuring that it is properly set on the back and the side of console. Using bolts (A) to connect Hutch & Console at location show.



**Step 7:**

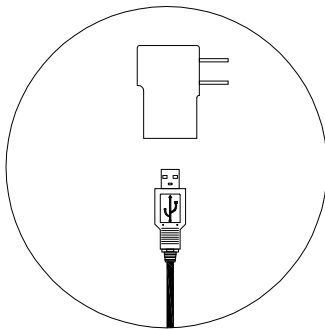
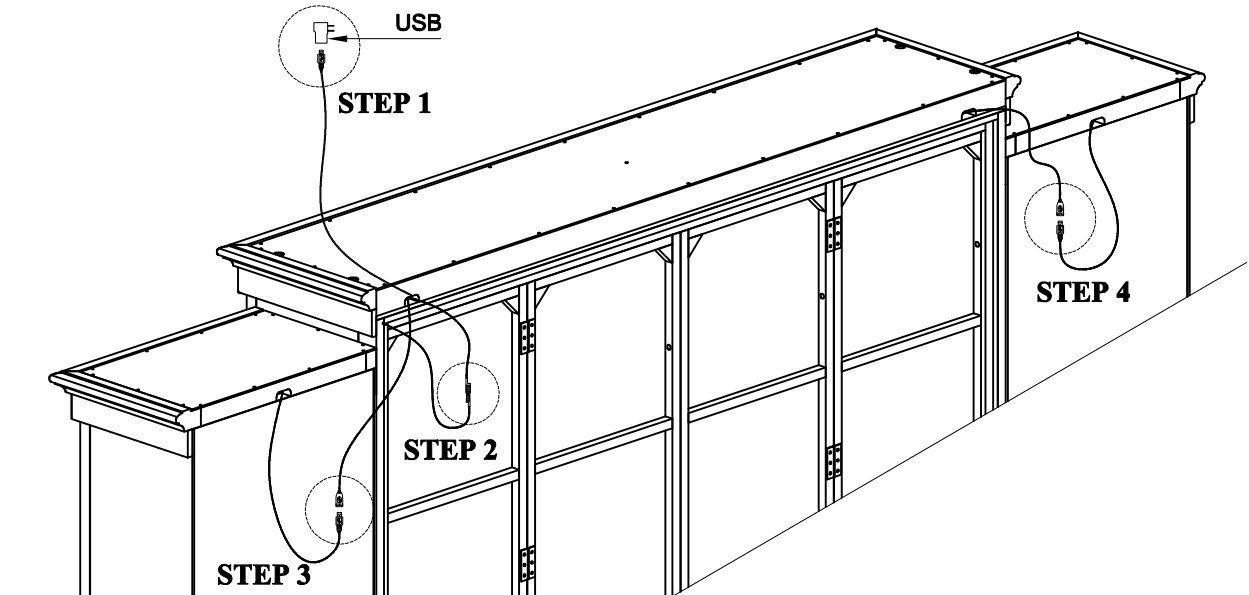
Attached Left & Right pier to the unit by using bolts (A), end cap bolts (D)  
All legs have adjustable levelers attached. The levelers can be easily adjusted.  
ENSURE THAT YOU TIGHTEN ALL BOLTS COMPLETELY AT THIS POINT OF ASSEMBLY. FAILURE TO TIGHTEN ALL BOLTS PROPERLY COULD CAUSE DAMAGE TO THE UNIT OR PERSONAL INJURY.

***EACH PIER IS SHIPPED WITH A WALL ANCHOR KIT STAPLED TO THE BACK OF EACH UNIT. PLEASE READ THE INSTALLATION INSTRUCTIONS AND ENSURE THAT YOU PROPERLY ATTACH THE WALL ANCHOR KITS PRIOR TO COMPLETING ASSEMBLY OF YOUR UNIT.***

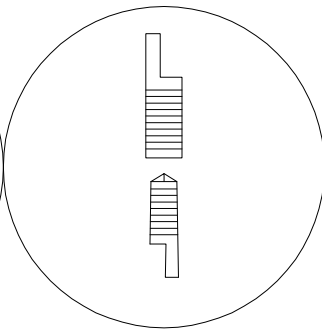


**Step 8:**

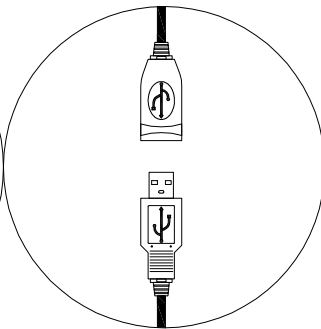
Connect the LED light on left & right piers with hutch as shown.



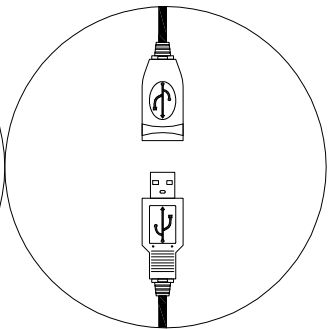
**STEP 1**



**STEP 2**



**STEP 3**

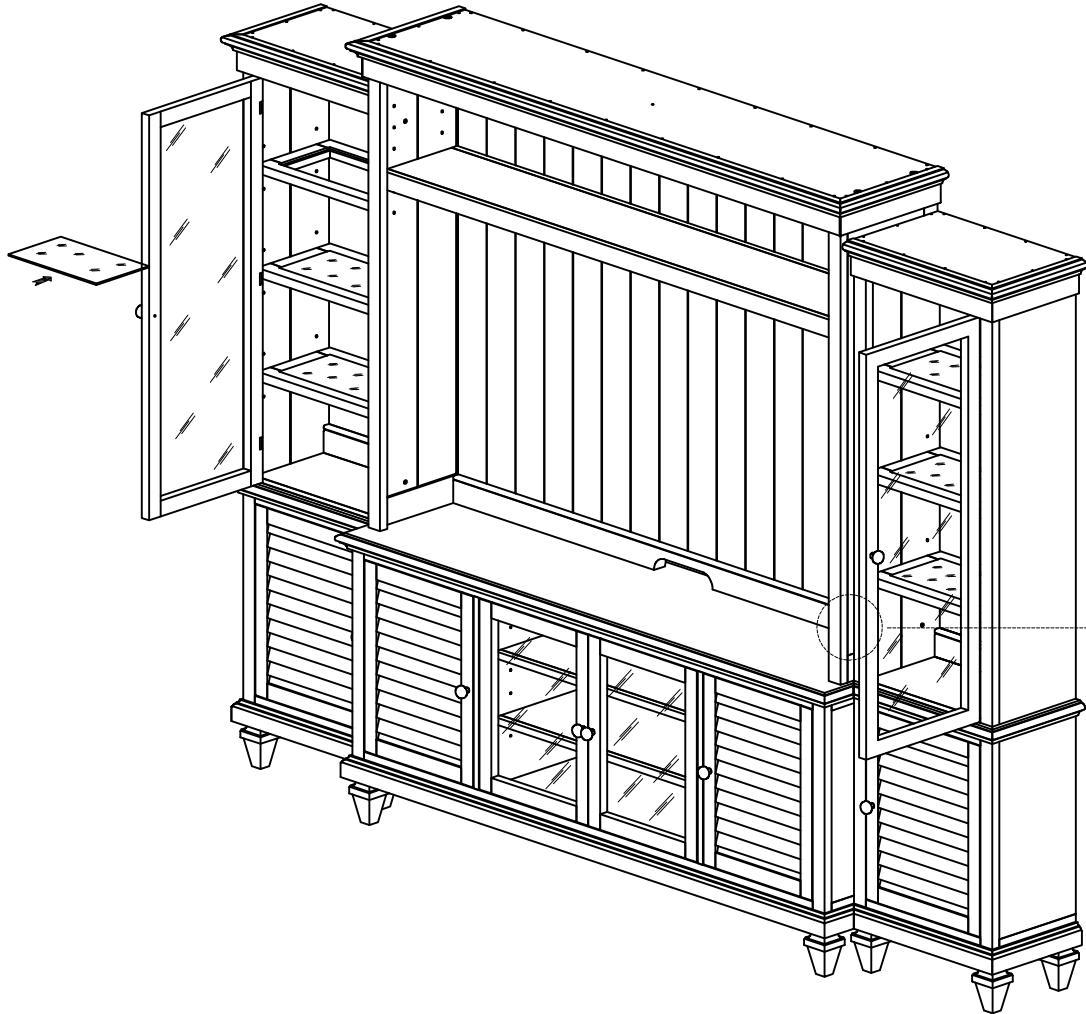


**STEP 4**



**Step 9:**

**Insert glass into the wood shelf frames.**



**Light Control  
Touch Button**

**Enjoy your new wall unit.**

# ASSEMBLY INSTRUCTIONS

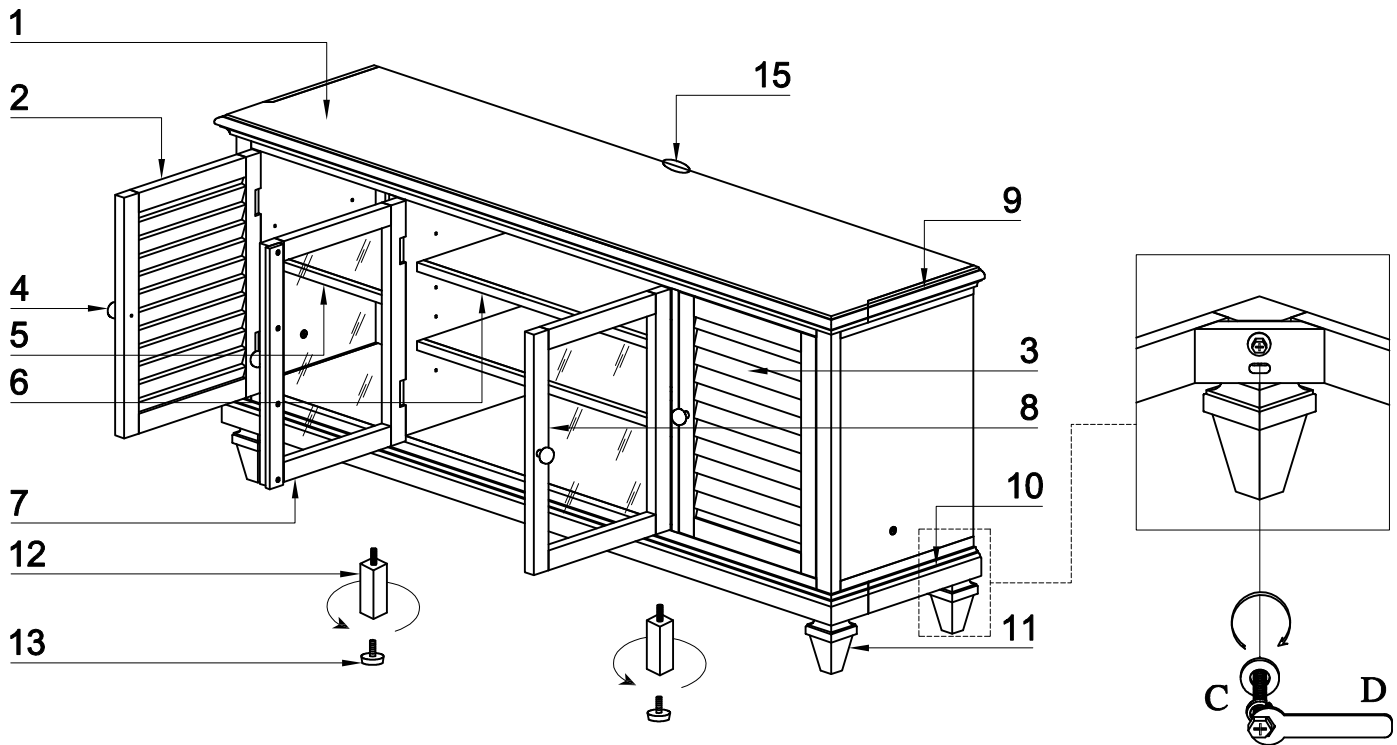
MODEL : E4352-05 Console

**CAUTION:** PLEASE READ ALL INSTRUCTIONS BEFORE STARTING THE ASSEMBLY OF THIS PRODUCT. THESE PIECES ARE HEAVY. IN ORDER TO PREVENT PERSONAL INJURY AND ENSURE THAT THIS PRODUCT IS NOT DAMAGED DURING THE ASSEMBLY PROCESS. IT IS STRONGLY RECOMMENDED THAT YOU ENLIST THE ASSISTANCE OF ONE OR MORE PEOPLE IN CASE OF EXCESS STAIN, WIPE THE BOTTOM OF THE UNIT BEFORE PLACING ON ANY SURFACE.

**ATTENTION:** VEUILLEZ LIRE TOUTES LES INSTRUCTIONS AVANT DE COMMENCER L'ASSEMBLAGE DE CE PRODUIT. LES PIECES SONT LOURDES. POUR EVITER TOUTE BLESSURE ET POUR VOUS ASSURER QUE LE PRODUIT N'EST PAS ENDOMMAGE' PENDANT L'ASSEMBLAGE, NOUS VOUS RECOMMANDONS DE FAIRE APPEL A UNE OU PLUSIEURS AUTRES PERSONNES. EN CAS DE TACHE EXCESSIVE, ESSUYEZ LE FOND DE L'UNITÉ AVANT LE PLACEMENT SUR N'IMPORTE QUELLE SURFACE

**CUIDADO:** FAVOR DE LEER TODAS LAS INSTRUCCIONES ANTES DE ENSAMBLAR SU PRODUCTO, ESTAS PIEZAS SON PESADAS. PARA PREVENIR HERIDAS PERSONALES Y ASEGURAR QUE SU PRODUCTO NO SEA DAN ADO MIENTRAS ES ENSAMBLADO. SE RECOMIENDA LA ASISTENCIA DE UNA O MAUS PERSONAS.

**WARNING.....PROTECTIVE GLIDE IS PLACED UNDER LEGS OF FURNITURE TO RESIST SCRATCHES TO FLOOR SURFACE. SOME FLOOR SURFACES CAN BE EXTRA SENSITIVE TO MARKING, IF YOU ARE NOT SURE CONSULT WITH YOUR DEALER. AVERTISSEMENT...LES PIEDS DES MEUBLES SONT MUNIS DE PATINS DESTINES A PROTEGER LE PLANCHER. CERTAINS REVETEMENTS DE SOL PEUVENT ETRE TRES FRAGILES. EN CAS DE DOUTE. CONSULTER LE MARCHAND.**



## LIST OF PARTS AND HARDWARE:

No.	Description	Q'ty
1	Top panel	1
2	Left wood door	1
3	Right wood door	1
4	Knob	4
5	Side removable shelf	2
6	Center removable shelf	2
7	Left glass door	1
8	Right glass door	1
9	Left and right top profile	2
10	Left and right bottom profile	2
11	Leg	4
12	Leg support	2
13	Leveler	6
14	Back panel	1
15	Tilt kit bracket	1

## LIST OF PARTS AND HARDWARE:

No.	Description	Q'ty	
A	Shelf clip	16	
B	Screw	Φ3.5* 15 mm	16
C	Bolt	Φ5/16"* 57 mm	8
	Flat Washer	Φ9/Φ22 mm	
D	Lock Washer	Φ9/Φ11 mm	1
	Wrench	12 mm	
E	Bolt	Φ1/4"*22 mm	2
F	Bracket		2
G	Bolt	Φ1/4"*10 mm	2
H	End Cap	Φ1/4"*10 mm	2



**MAGNUSSEN®**  
H O M E

*Bringing dreams home.*

# ASSEMBLY INSTRUCTIONS

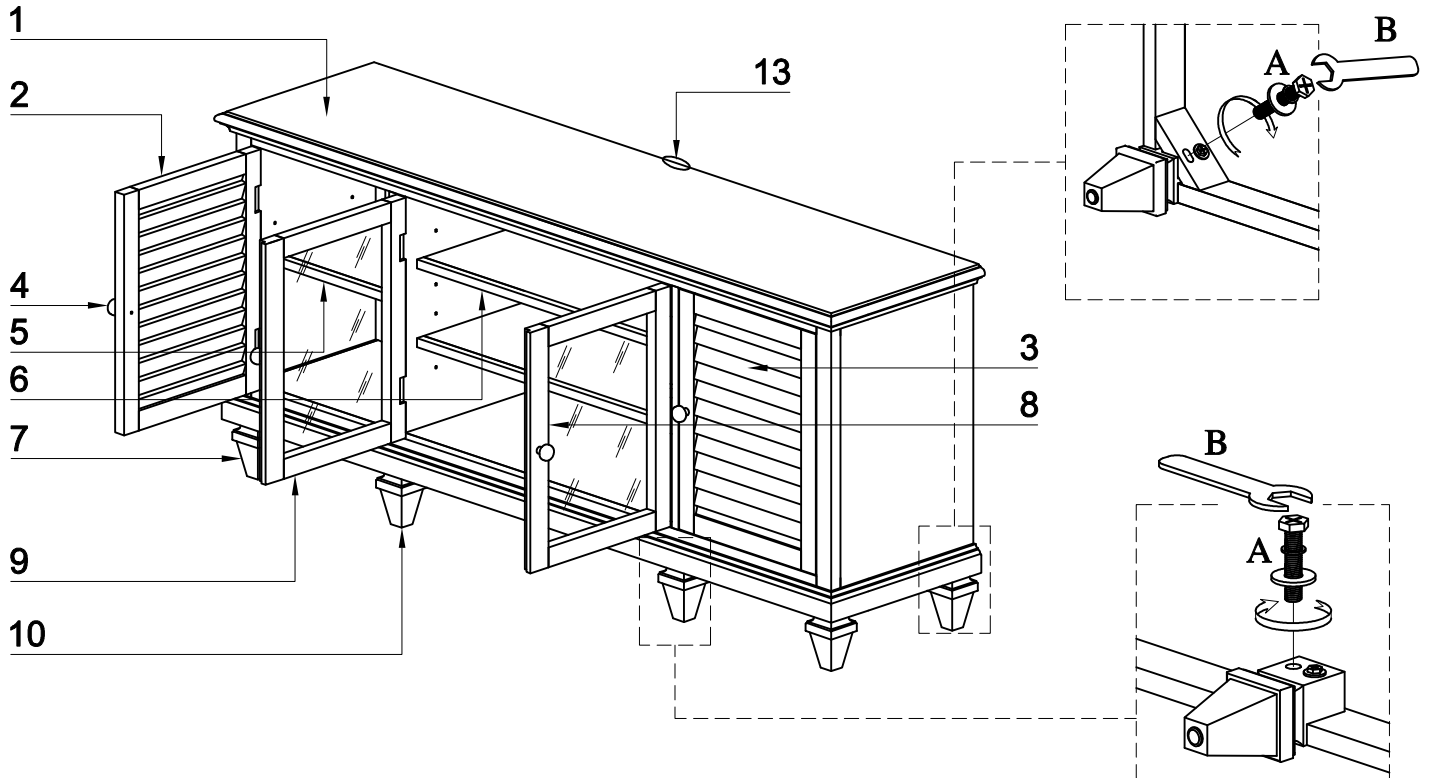
**MODEL : E4352-08 Large Console**

**CAUTION:** PLEASE READ ALL INSTRUCTIONS BEFORE STARTING THE ASSEMBLY OF THIS PRODUCT. THESE PIECES ARE HEAVY. IN ORDER TO PREVENT PERSONAL INJURY AND ENSURE THAT THIS PRODUCT IS NOT DAMAGED DURING THE ASSEMBLY PROCESS. IT IS STRONGLY RECOMMENDED THAT YOU ENLIST THE ASSISTANCE OF ONE OR MORE PEOPLE IN CASE OF EXCESS STAIN, WIPE THE BOTTOM OF THE UNIT BEFORE PLACING ON ANY SURFACE.




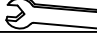
**ATTENTION:** VEUILLEZ LIRE TOUTES LES INSTRUCTIONS AVANT DE COMMENCER L'ASSEMBLAGE DE CE PRODUIT. LES PIECES SONT LOURDES. POUR EVITER TOUTE BLESSURE ET POUR VOUS ASSURER QUE LE PRODUIT N'EST PAS ENDOMMAGE' PENDANT L'ASSEMBLAGE, NOUS VOUS RECOMMANDONS DE FAIRE APPEL A UNE OU PLUSIEURS AUTRES PERSONNES. EN CAS DE TACHE EXCESSIVE, ESSUYEZ LE FOND DE L'UNITÉ AVANT LE PLACEMENT SUR N'IMPORTE QUELLE SURFACE

**CUIDADO:** FAVOR DE LEER TODAS LAS INSTRUCCIONES ANTES DE ENSAMBLAR SU PRODUCTO, ESTAS PIEZAS SON PESADAS. PARA PREVENIR HERIDAS PERSONALES Y ASEGURAR QUE SU PRODUCTO NO SEA DAN ADO MIENTRAS ES ENSAMBLADO. SE RECOMIENDA LA ASISTENCIA DE UNA O MAUS PERSONAS.

**WARNING.....PROTECTIVE GLIDE IS PLACED UNDER LEGS OF FURNITURE TO RESIST SCRATCHES TO FLOOR SURFACE. SOME FLOOR SURFACES CAN BE EXTRA SENSITIVE TO MARKING, IF YOU ARE NOT SURE CONSULT WITH YOUR DEALER. AVERTISSEMENT...LES PIEDS DES MEUBLES SONT MUNIS DE PATINS DESTINES A PROTEGER LE PLANCHER. CERTAINS REVETEMENTS DE SOL PEUVENT ETRE TRES FRAGILES. EN CAS DE DOUTE. CONSULTER LE MARCHAND.**



LIST OF PARTS:			
No.	Description	Q'ty	
1	Top panel	1	
2	Left wood door	1	
3	Right wood door	1	
4	Knob	4	
5	Side removable shelf	2	
6	Center removable shelf	2	
7	Side leg	4	
8	Right glass door	1	
9	Left glass door	1	
10	Center leg	2	
11	Leveler	6	
12	Back panel	1	
13	Tilt kit bracket	1	

LIST OF HARDWARE:				
No.	Description	Q'ty		
A	 Bolt	Φ5/16"* 57 mm	12	
	 Flat Washer	Φ9/Φ22 mm		
	 Lock Washer	Φ9/Φ11 mm		
B	 Wrench	12 mm	1	
14	Shelf clip	16		
15	Hinge	8		
16	Top door catch	4		
17	Bottom door catch	4		



**MAGNUSSEN®**  
H O M E

*Bringing dreams home.*

# ASSEMBLY INSTRUCTIONS

**MODEL : E4352-09 Small Console**

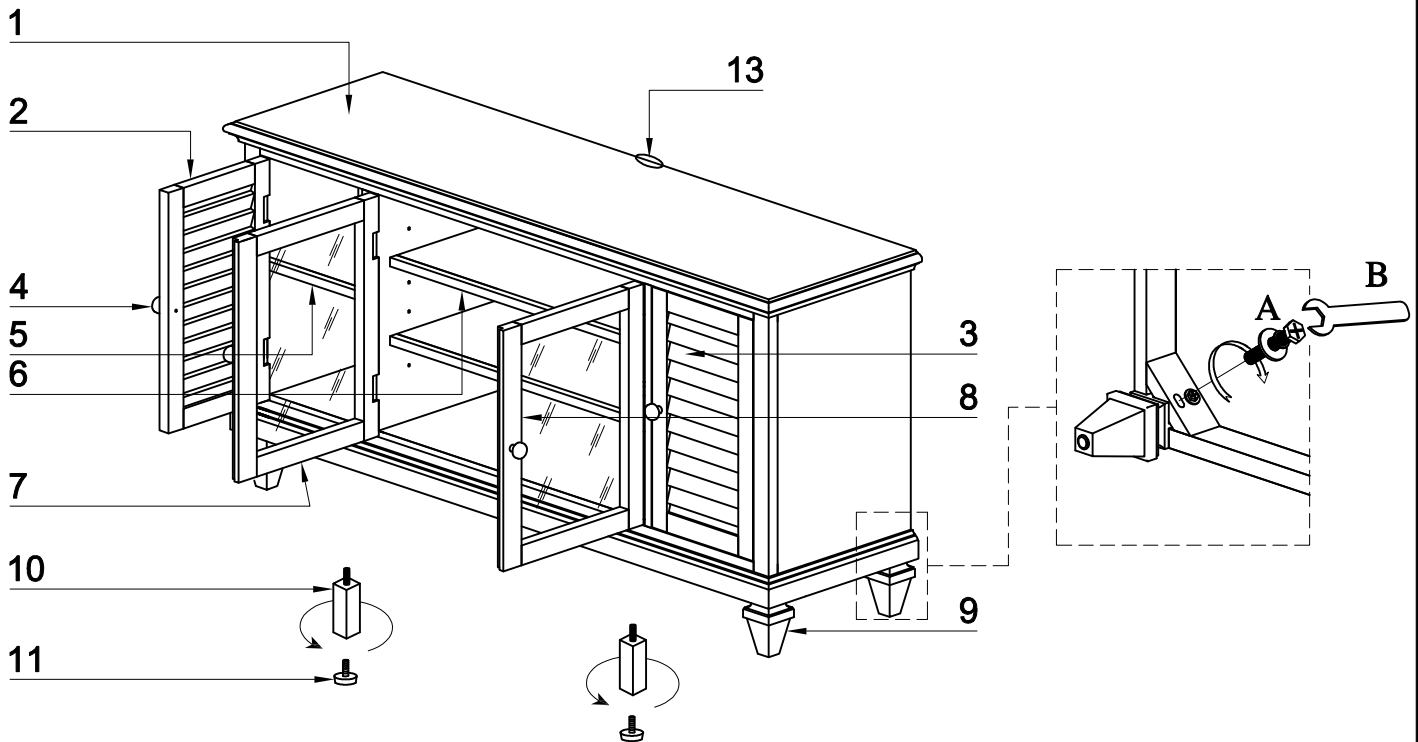
**CAUTION:** PLEASE READ ALL INSTRUCTIONS BEFORE STARTING THE ASSEMBLY OF THIS PRODUCT. THESE PIECES ARE HEAVY. IN ORDER TO PREVENT PERSONAL INJURY AND ENSURE THAT THIS PRODUCT IS NOT DAMAGED DURING THE ASSEMBLY PROCESS. IT IS STRONGLY RECOMMENDED THAT YOU ENLIST THE ASSISTANCE OF ONE OR MORE PEOPLE IN CASE OF EXCESS STAIN, WIPE THE BOTTOM OF THE UNIT BEFORE PLACING ON ANY SURFACE.

**ATTENTION:** VEUILLEZ LIRE TOUTES LES INSTRUCTIONS AVANT DE COMMENCER L'ASSEMBLAGE DE CE PRODUIT. LES PIECES SONT LOURDES. POUR EVITER TOUTE BLESSURE ET POUR VOUS ASSURER QUE LE PRODUIT N'EST PAS ENDOMMAGE' PENDANT L'ASSEMBLAGE, NOUS VOUS RECOMMANDONS DE FAIRE APPEL A UNE OU PLUSIEURS AUTRES PERSONNES. EN CAS DE TACHE EXCESSIVE, ESSUYEZ LE FOND DE L'UNITÉ AVANT LE PLACEMENT SUR N'IMPORTE QUELLE SURFACE

**CUIDADO:** FAVOR DE LEER TODAS LAS INSTRUCCIONES ANTES DE ENSAMBLAR SU PRODUCTO, ESTAS PIEZAS SON PESADAS. PARA PREVENIR HERIDAS PERSONALES Y ASEGURAR QUE SU PRODUCTO NO SEA DAN ADO MIENTRAS ES ENSAMBLADO. SE RECOMIENDA LA ASISTENCIA DE UNA O MAUS PERSONAS.

**WARNING.....PROTECTIVE GLIDE IS PLACED UNDER LEGS OF FURNITURE TO RESIST SCRATCHES TO FLOOR SURFACE. SOME FLOOR SURFACES CAN BE EXTRA SENSITIVE TO MARKING, IF YOU ARE NOT SURE CONSULT WITH YOUR DEALER.**

**AVERTISSEMENT...LES PIEDS DES MEUBLES SONT MUNIS DE PATINS DESTINES A PROTEGER LE PLANCHER. CERTAINS REVETEMENTS DE SOL PEUVENT ETRE TRES FRAGILES. EN CAS DE DOUTE. CONSULTER LE MARCHAND.**



LIST OF PARTS:			
No.	Description	Q'ty	
1	Top panel	1	
2	Left wood door	1	
3	Right wood door	1	
4	Knob	4	
5	Side removable shelf	2	
6	Center removable shelf	2	
7	Left glass door	1	
8	Right glass door	1	
9	Leg	4	
10	Leg support 35x35x174	2	
11	Leveler	6	
12	Back panel	1	
13	Tilt kit bracket	1	

LIST OF HARDWARE:				
No.	Description	Q'ty		
A	Bolt	Φ5/16"* 57 mm	8	
	Flat Washer	Φ9/Φ22 mm		
	Lock Washer	Φ9/Φ11 mm		
B	Wrench	12 mm	1	
14	Shelf clip		16	
15	Hinge		8	
16	Top door catch		4	
17	Bottom door catch		4	

# ASSEMBLY INSTRUCTIONS

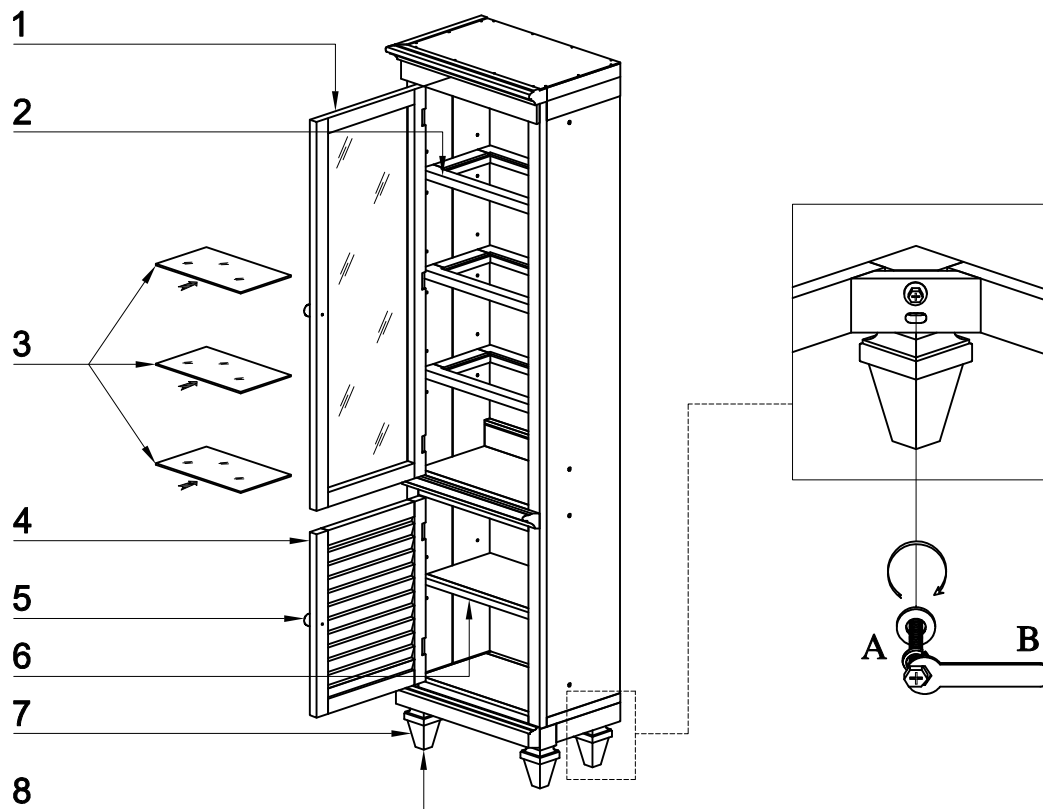
**MODEL : E4352-35L/R Left & Right Pier**

**CAUTION:** PLEASE READ ALL INSTRUCTIONS BEFORE STARTING THE ASSEMBLY OF THIS PRODUCT. THESE PIECES ARE HEAVY. IN ORDER TO PREVENT PERSONAL INJURY AND ENSURE THAT THIS PRODUCT IS NOT DAMAGED DURING THE ASSEMBLY PROCESS. IT IS STRONGLY RECOMMENDED THAT YOU ENLIST THE ASSISTANCE OF ONE OR MORE PEOPLE IN CASE OF EXCESS STAIN, WIPE THE BOTTOM OF THE UNIT BEFORE PLACING ON ANY SURFACE.

**ATTENTION:** VEUILLEZ LIRE TOUTES LES INSTRUCTIONS AVANT DE COMMENCER L'ASSEMBLAGE DE CE PRODUIT. LES PIECES SONT LOURDES. POUR EVITER TOUTE BLESSURE ET POUR VOUS ASSURER QUE LE PRODUIT N'EST PAS ENDOMMAGE' PENDANT L'ASSEMBLAGE, NOUS VOUS RECOMMANDONS DE FAIRE APPEL A UNE OU PLUSIEURS AUTRES PERSONNES. EN CAS DE TACHE EXCESSIVE, ESSUYEZ LE FOND DE L'UNITÉ AVANT LE PLACEMENT SUR N'IMPORTE QUELLE SURFACE

**CUIDADO:** FAVOR DE LEER TODAS LAS INSTRUCCIONES ANTES DE ENSAMBLAR SU PRODUCTO, ESTAS PIEZAS SON PESADAS. PARA PREVENIR HERIDAS PERSONALES Y ASEGURAR QUE SU PRODUCTO NO SEA DAN ADO MIENTRAS ES ENSAMBLADO. SE RECOMIENDA LA ASISTENCIA DE UNA O MAUS PERSONAS.

**WARNING.....**PROTECTIVE GLIDE IS PLACED UNDER LEGS OF FURNITURE TO RESIST SCRATCHES TO FLOOR SURFACE. SOME FLOOR SURFACES CAN BE EXTRA SENSITIVE TO MARKING, IF YOU ARE NOT SURE CONSULT WITH YOUR DEALER.  
**AVERTISSEMENT...**LES PIEDS DES MEUBLES SONT MUNIS DE PATINS DESTINES A PROTEGER LE PLANCHER. CERTAINS REVETEMENTS DE SOL PEUVENT ETRE TRES FRAGILES. EN CAS DE DOUTE. CONSULTER LE MARCHAND.



## LIST OF PARTS AND HARDWARE:

No.	Description	Q'ty
1	Glass door	1
2	Wood shelf frame	3
3	Tempered glass shelf	3
4	Wood door	1
5	Knob	2
6	Removable shelf	1
7	Leg	4
8	Leveler	4
9	Top back panel	1
10	Bottom back panel	1
11	Lighting	1

## LIST OF PARTS AND HARDWARE:

No.	Description	Q'ty
A	Shelf clip	16
B	Screw	Φ3.5* 15 mm 16
C	Bolt	Φ5/16"* 57 mm
	Flat Washer	Φ9/Φ22 mm
	Lock Washer	Φ9/Φ11 mm
D	Wrench	1