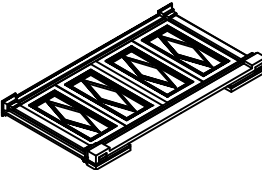
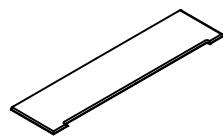
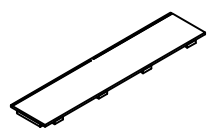
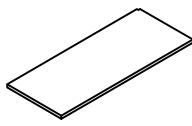
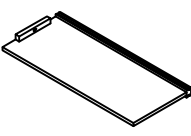
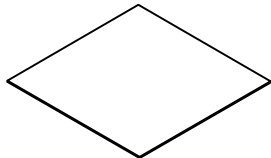
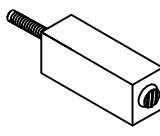


ASSEMBLY INSTRUCTION


Item: 5662-85001-WH FOUR DOOR CABINET

Thank you for purchasing this quality product. Be sure to unpack carefully looking for small parts which may have come loose during shipment.
Read all instruction and study the drawing carefully before starting the assembly process.

PARTS LIST

<p>Ax 1</p>  <p>Frame Assembly</p>	<p>Bx1</p>  <p>Top Panel</p>	<p>Cx1</p>  <p>Bottom Panel</p>	<p>Dx2</p>  <p>Adjustable Shelves</p>
<p>E x1</p>  <p>Middle Panel</p>	<p>Fx2</p>  <p>Back Panel</p>	<p>J x 1</p>  <p>Support Leg.</p>	

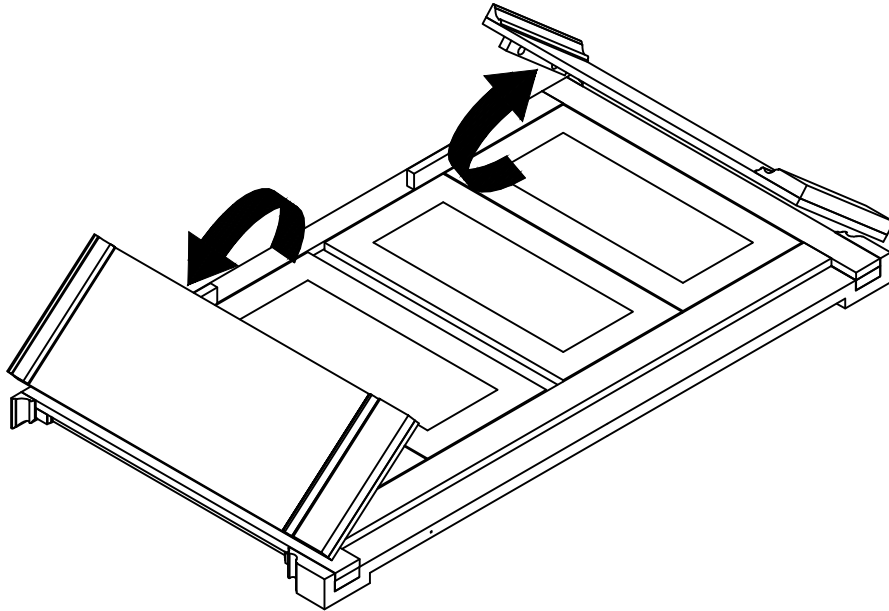
HARDWARE PACK

NO	DRAWING	DESCRIPTION	SIZE	Q' ty
1		Bolt	ϕ1/4"*1 1/2"	4pcs
2		Bolt	ϕ1/4"* 1 1/4"	11pcs
3		Lock Washer	ϕ1/4"	15pcs
4		Flat Washer	ϕ1/4"*19D	15pcs
5		Open Wrench		1pc
6		Screws	8*1 1/2"	1pc
7		shelf pin		8pcs
8		Anti - Tip Kit		1pc
9		Screws	3*15	8pcs

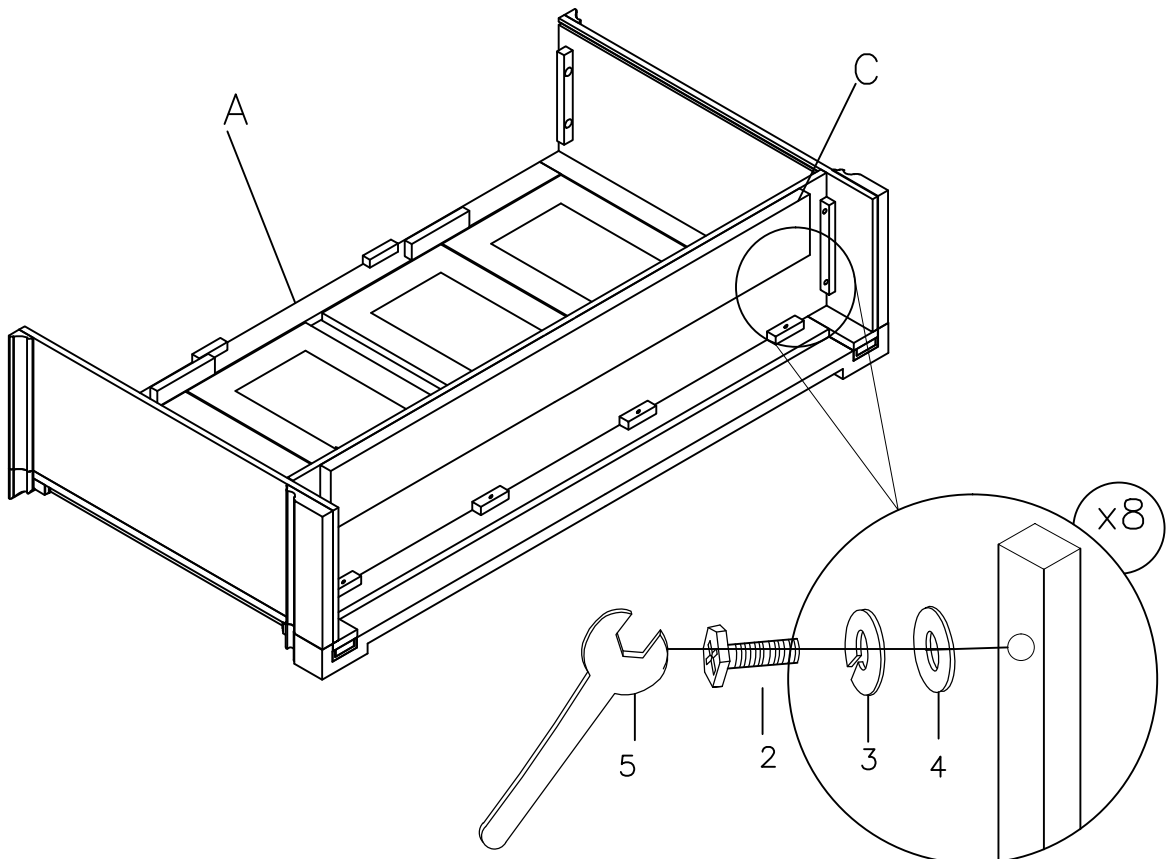
ASSEMBLY INSTRUCTION

Item: 5662-85001-WH FOUR DOOR CABINET

STEP 1



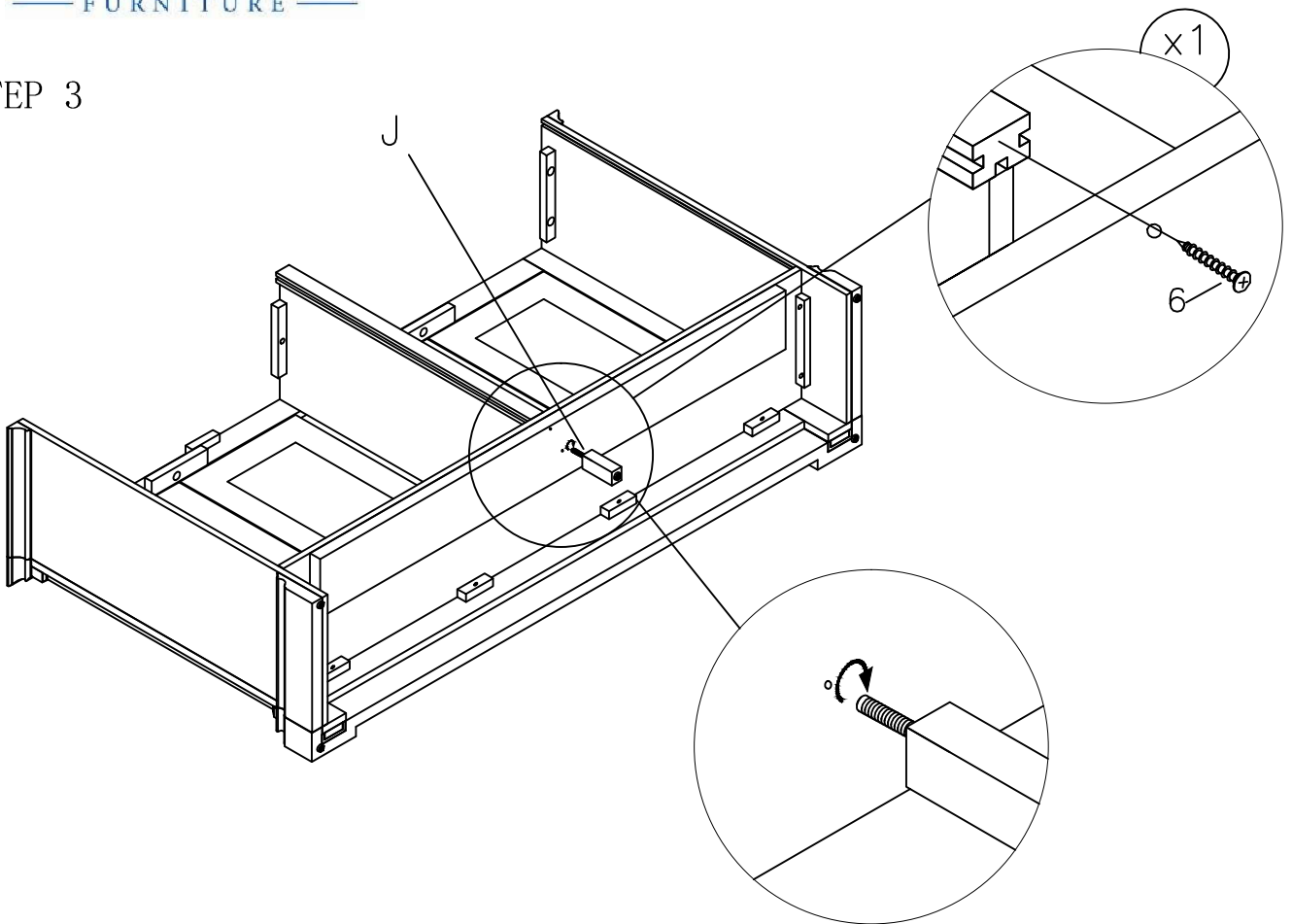
STEP 2



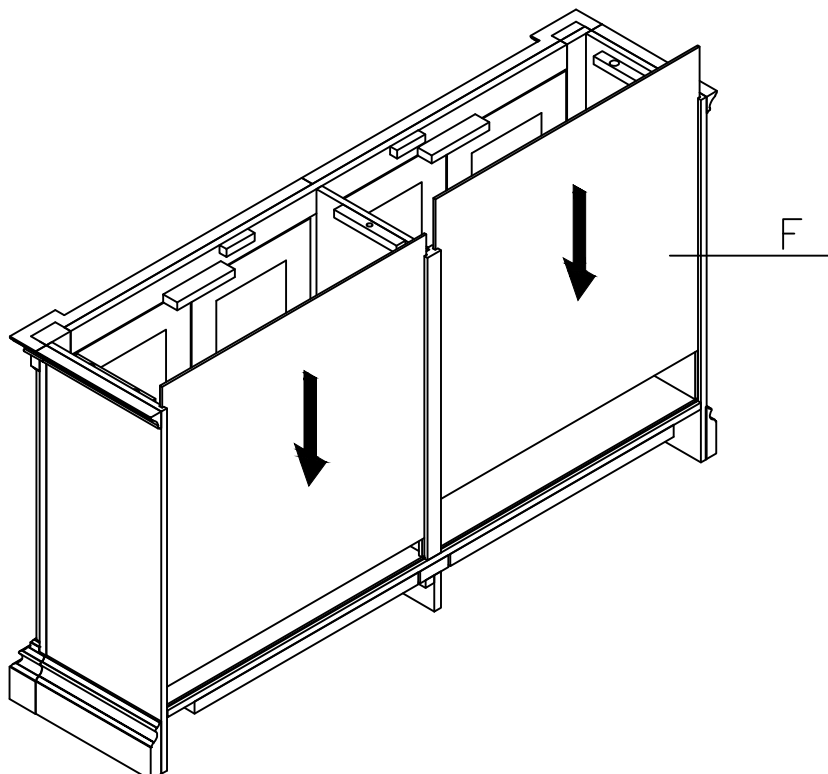
ASSEMBLY INSTRUCTION

Item: 5662-85001-WH FOUR DOOR CABINET

STEP 3



STEP 4



ASSEMBLY INSTRUCTION

Item: 5662-85001-WH FOUR DOOR CABINET

STEP 7

