

CONSOLE BOOKCASE

Instruction
Designs2Go™
SENSIBLE CONTEMPORARY FURNITURE



Assembly Instructions


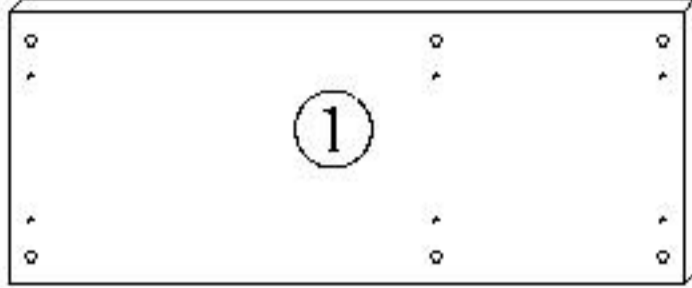


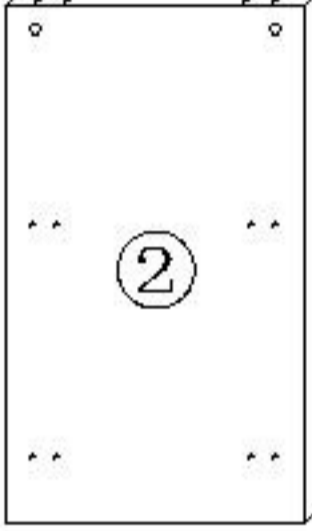

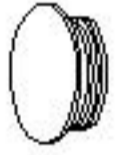

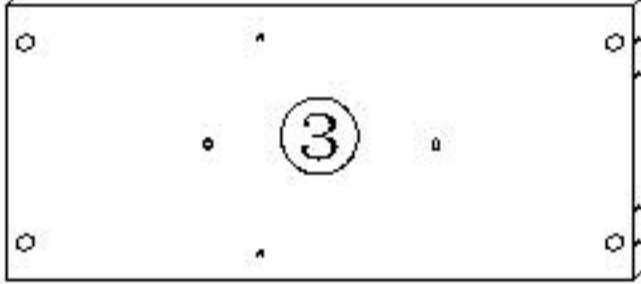
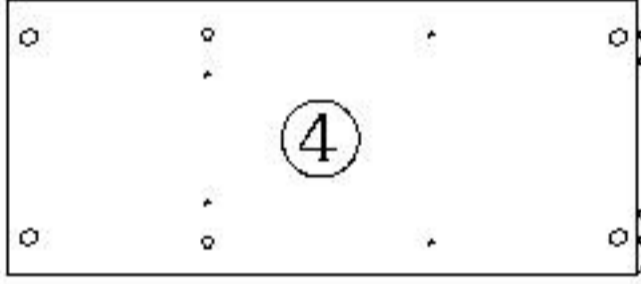
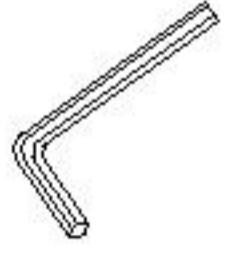
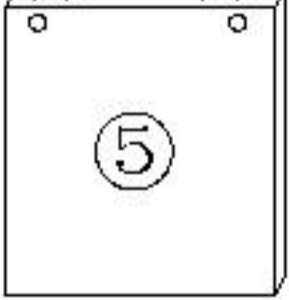

We have designed our furniture with you, the customer in mind. Our clear, easy to follow, step by step instructions will guide you through the project from start to finish. Feel confident that this will be a fun and rewarding project. The final product will be a quality piece of furniture that will go together smoothly and give years of enjoyment.



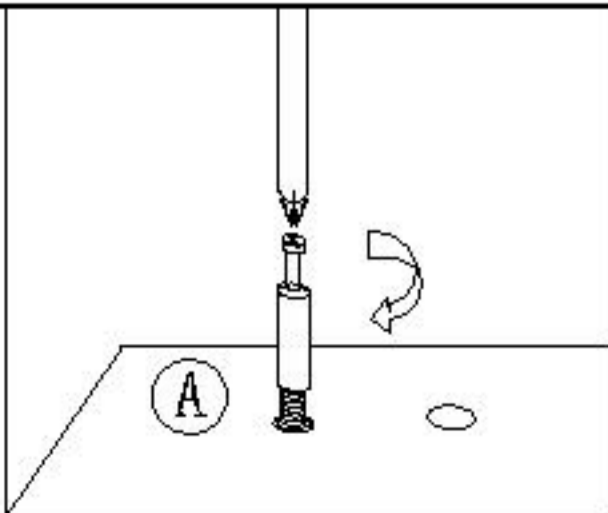
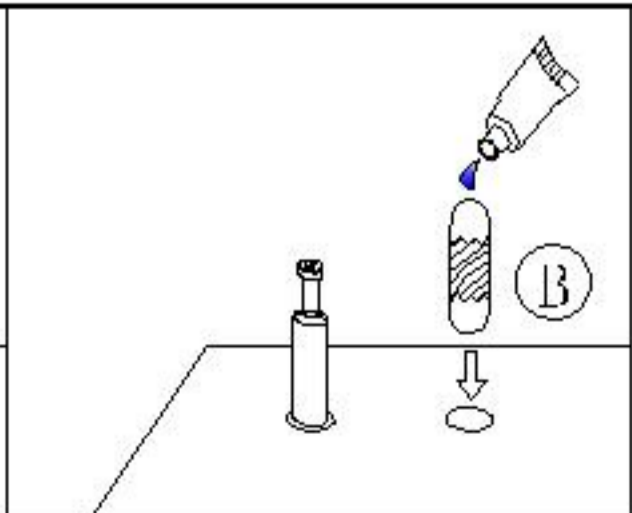
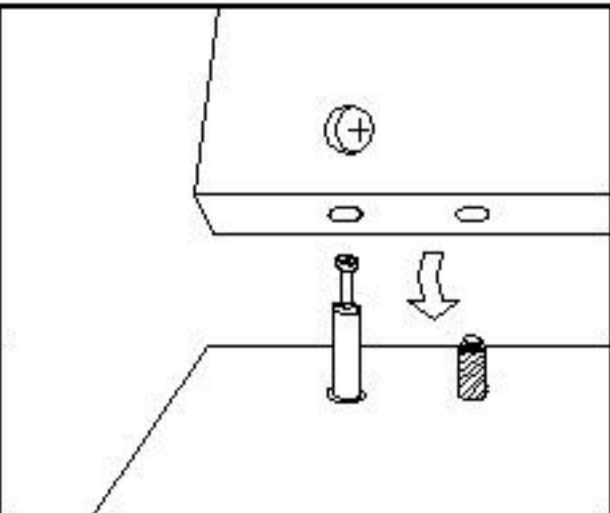
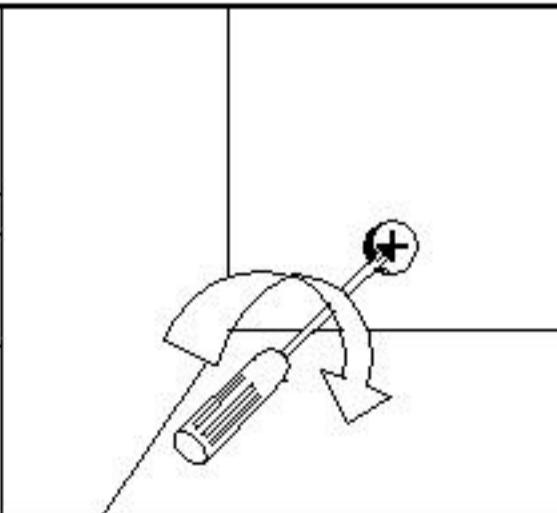
Please do not return to the store

- . Broken or Missing Parts?
- . Need help with Assembly?

If you have any questions just call 1-800-468-6447 or email us at parts@convenience-concepts.com

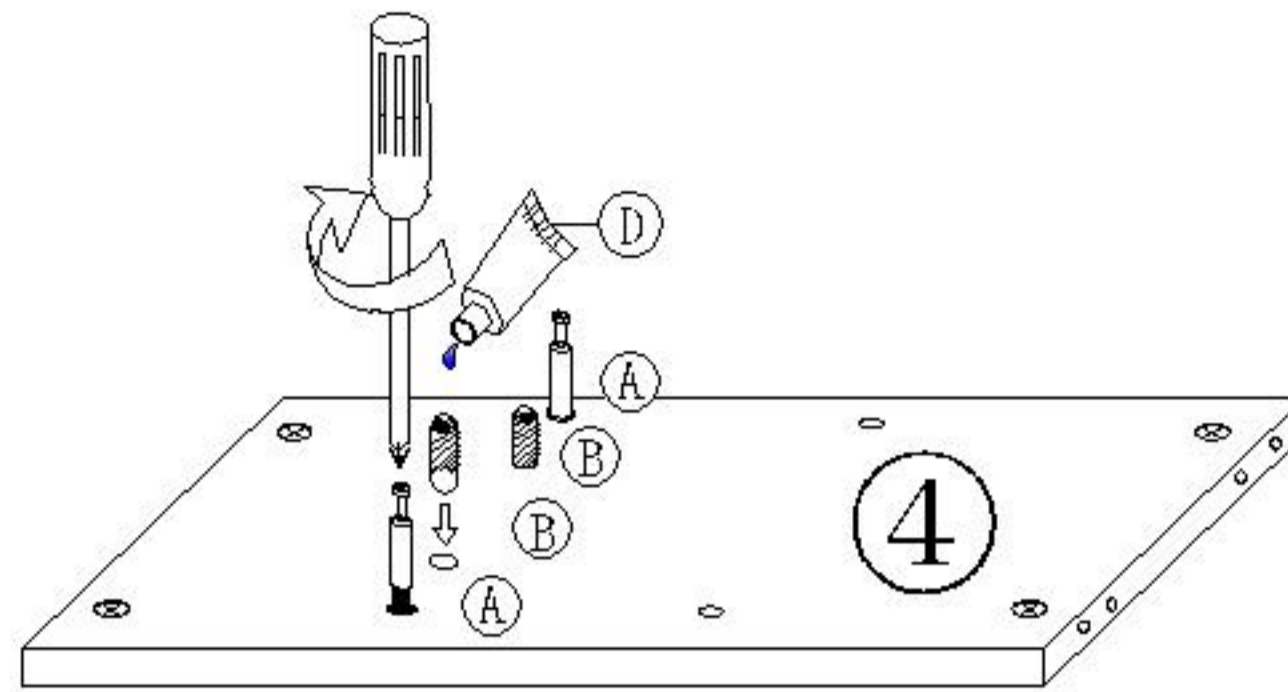
Hardware List	Panel List
<p>(A) </p> <p>Cam dowel (18pcs)</p>	 <p>Top panel (1pc)</p>
<p>(B) </p> <p>Wood dowel (20pcs)</p>	
<p>(C) </p> <p>Allen screw (4pcs)</p>	 <p>side panel (2pcs)</p>
<p>(D) </p> <p>Glue (1pc)</p>	
<p>(G)  (I) </p> <p>Plastic Cap (G:16pcs; I:2pcs)</p>	 <p>Bottom panel (1pc)</p>  <p>middle panel (1pc)</p>
<p>(II) </p> <p>Allen wrench (1pc)</p>	
	 <p>Divider panel (2pcs)</p>  <p>Bottom support panel (1pc)</p>

Assembling the unit with cam and wood dowels.

	<p>Gently screw cam dowel into the threaded anchor.</p>		<p>Lightly glue one end of the wood dowel and tap halfway into hole.</p>		<p>Connect to second panel by inserting dowels into holes.</p>		<p>Screw the cam firmly into locked position.</p>
-------------------------------------------------------------------------------------	---------------------------------------------------------	--------------------------------------------------------------------------------------	--------------------------------------------------------------------------	---------------------------------------------------------------------------------------	----------------------------------------------------------------	---------------------------------------------------------------------------------------	---------------------------------------------------

step1

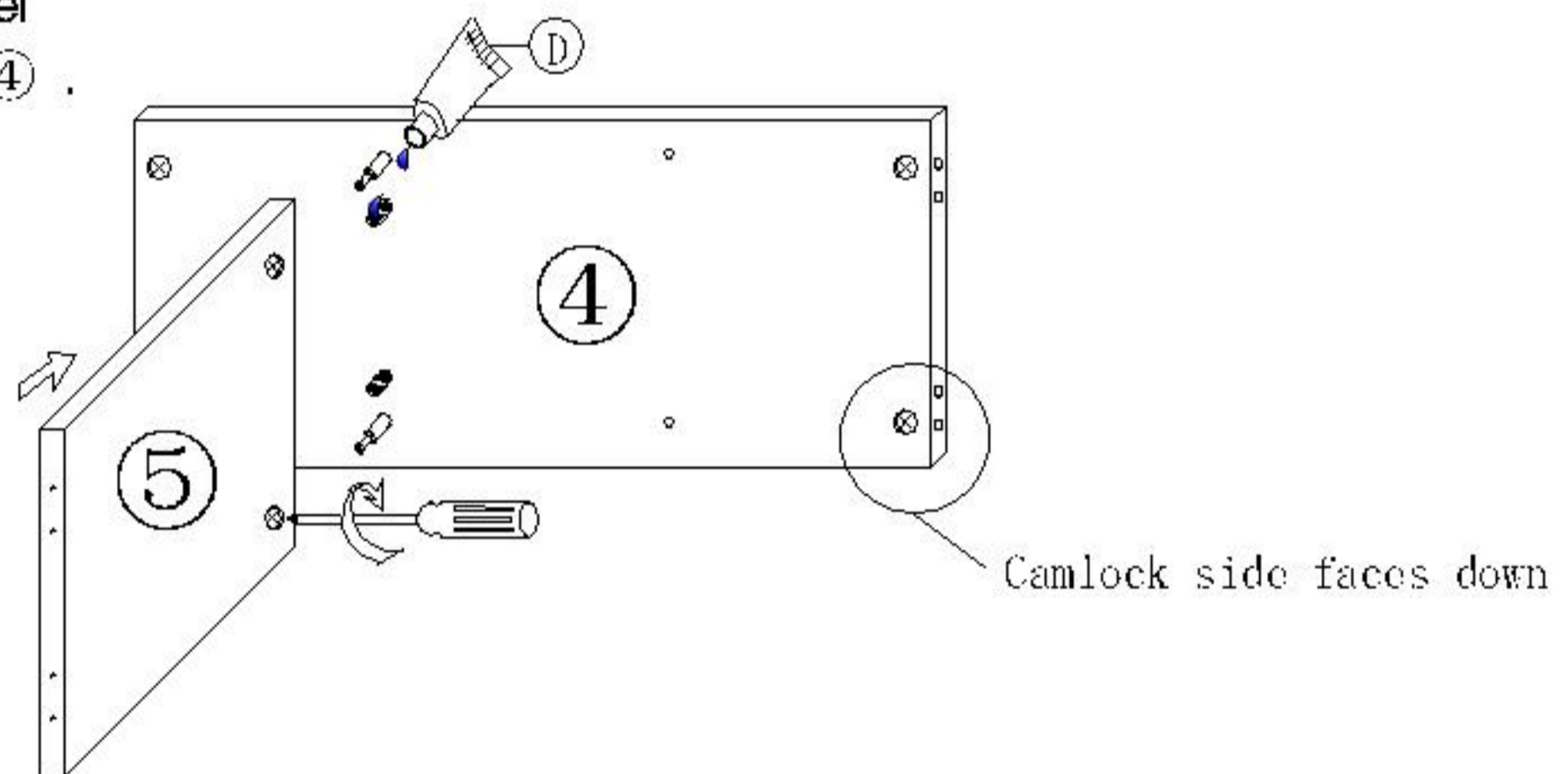
Attach dowel hardware to middle panel ④ .
Apply glue to wood dowels.



* Refer to page 2 for dowel assembly

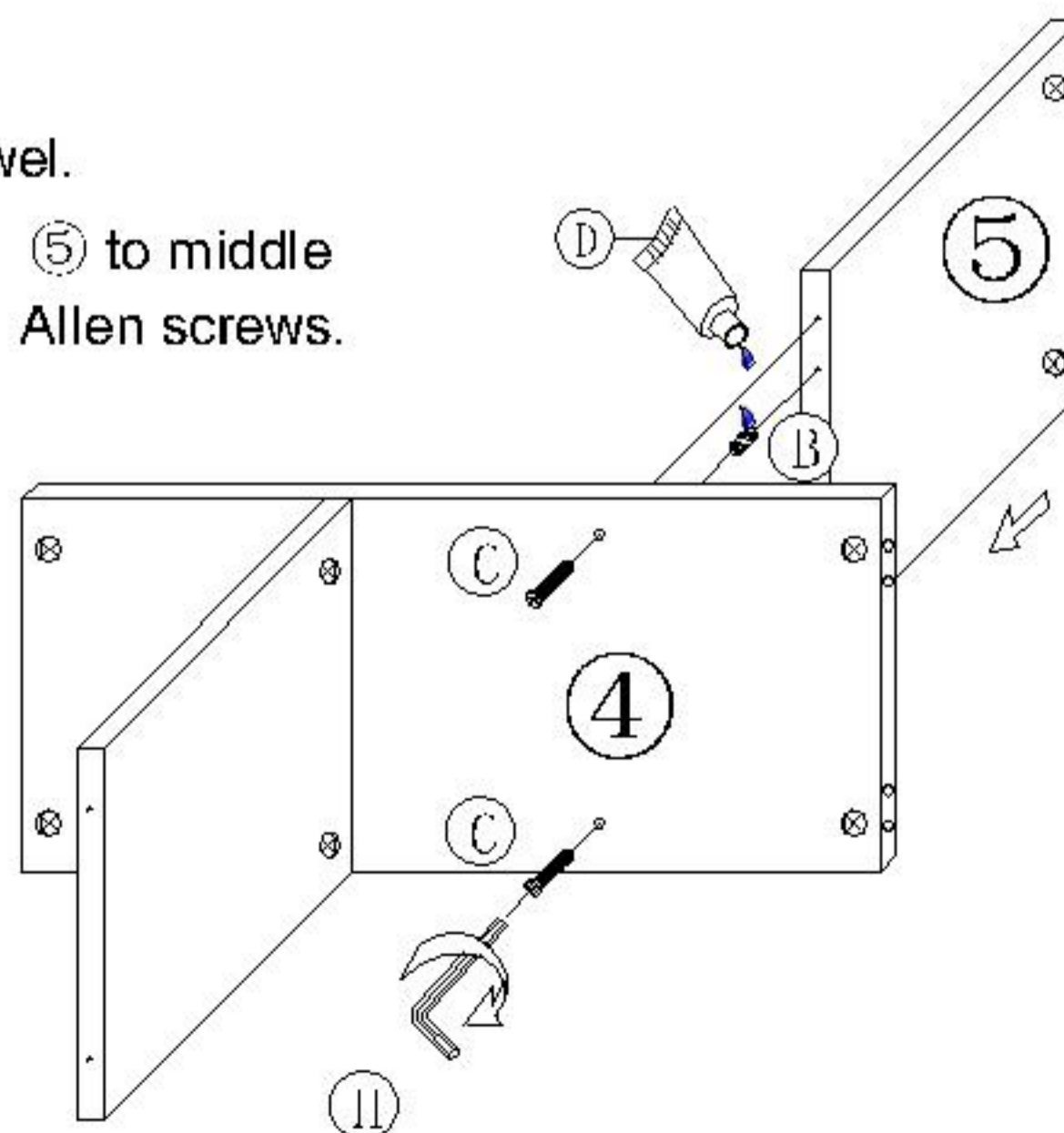
step2

Connect the divider panel ⑤ to the middle panel ④ .
Tighten camlocks.



step3

Lightly glue wood dowel.
Connect divider panel ⑤ to middle panel ④ . Fasten with Allen screws.

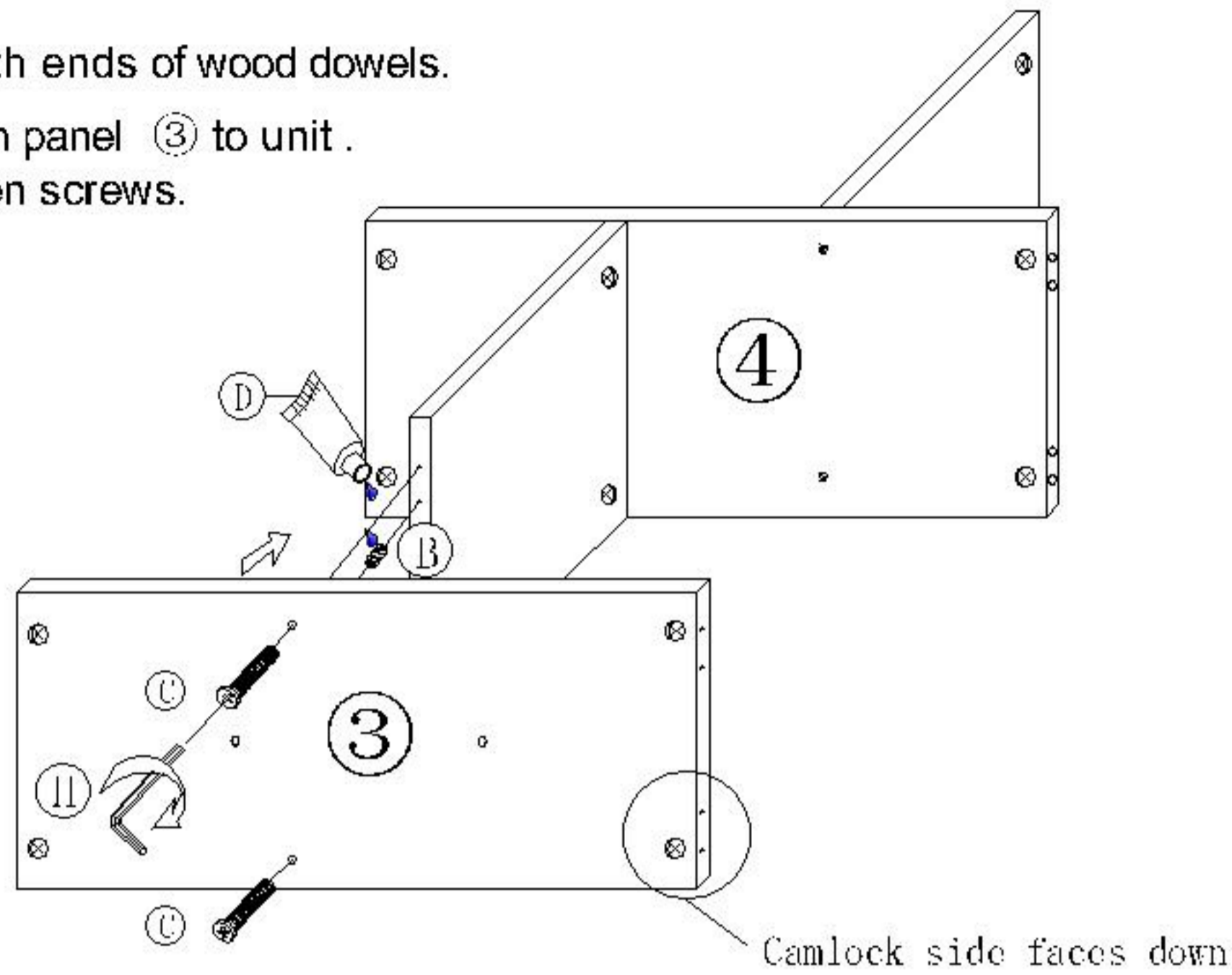


step4

Lightly glue both ends of wood dowels.

Connect bottom panel ③ to unit.

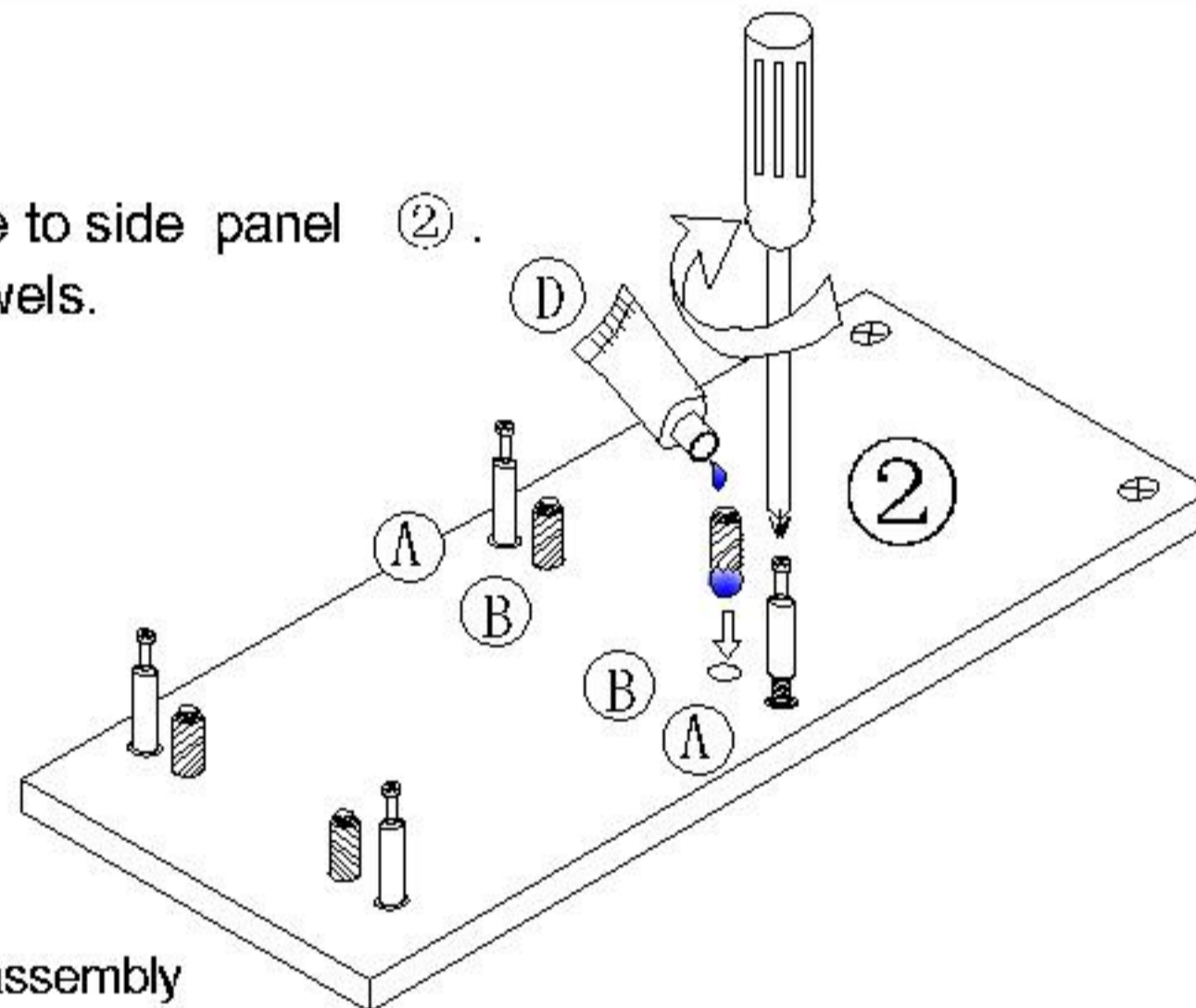
Fasten with Allen screws.



step5

Attach dowel hardware to side panel ②.

Apply glue to wood dowels.



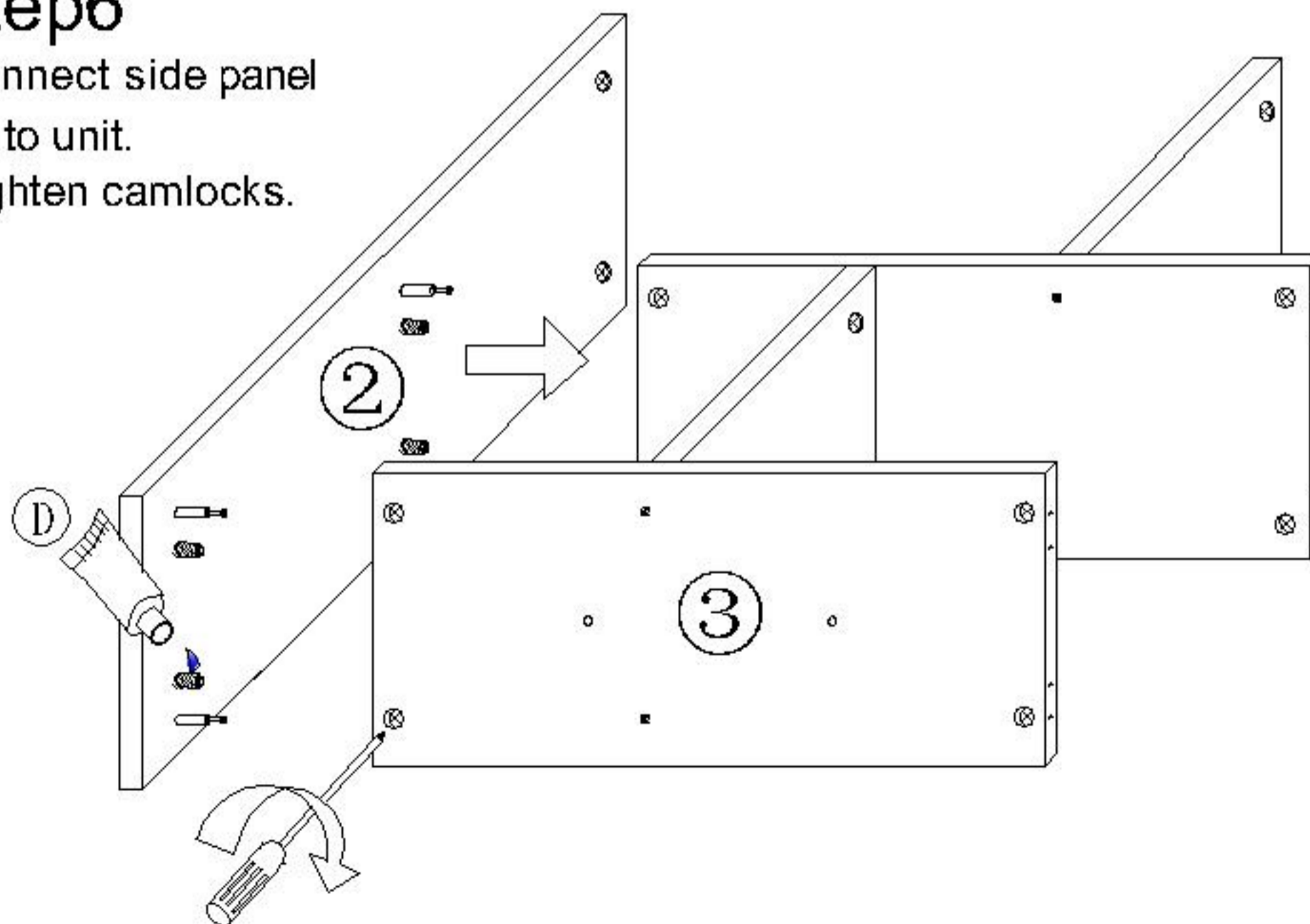
* Refer to page 2 for dowel assembly

step6

Connect side panel ② to unit.

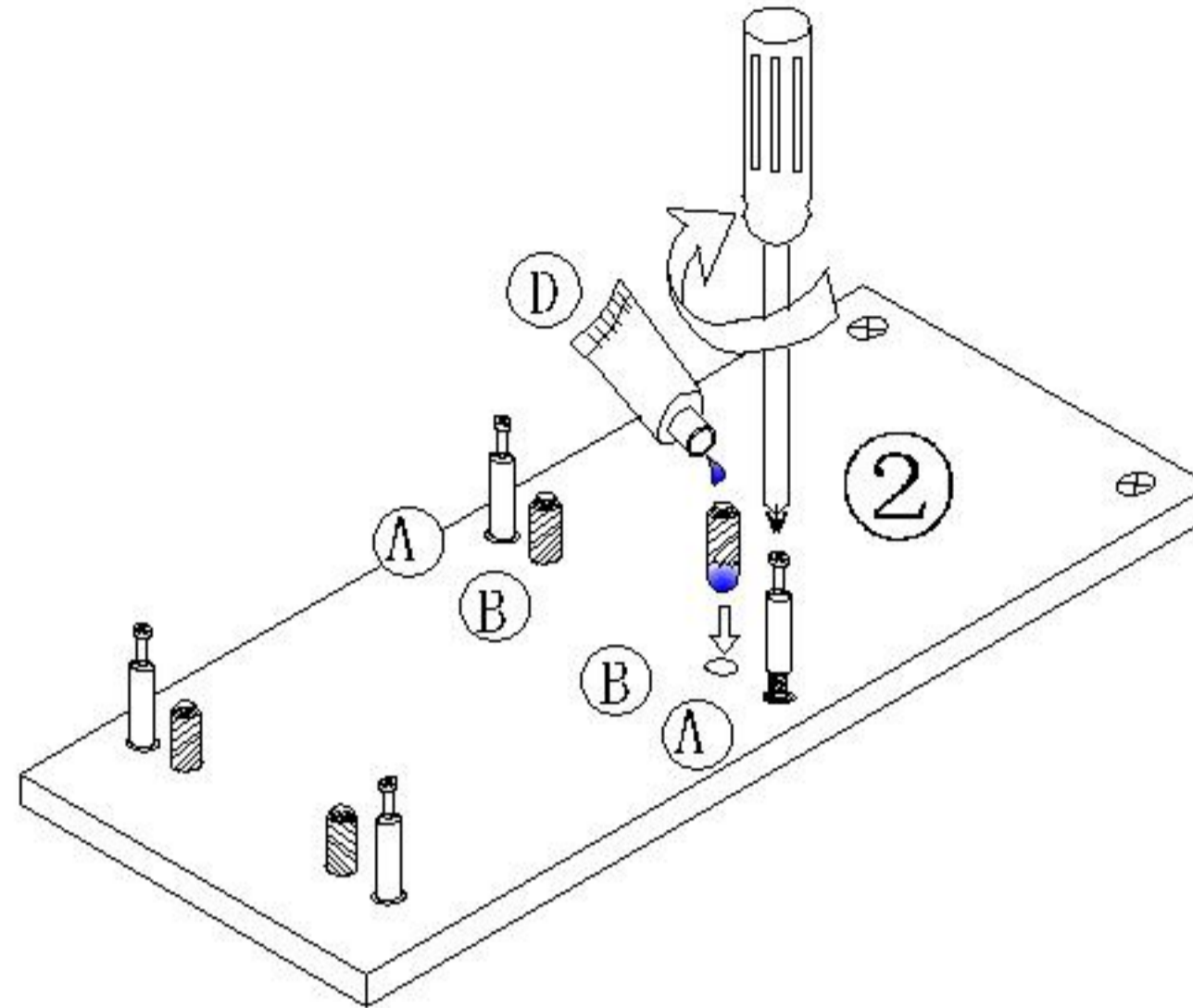
② to unit.

Tighten camlocks.



step7

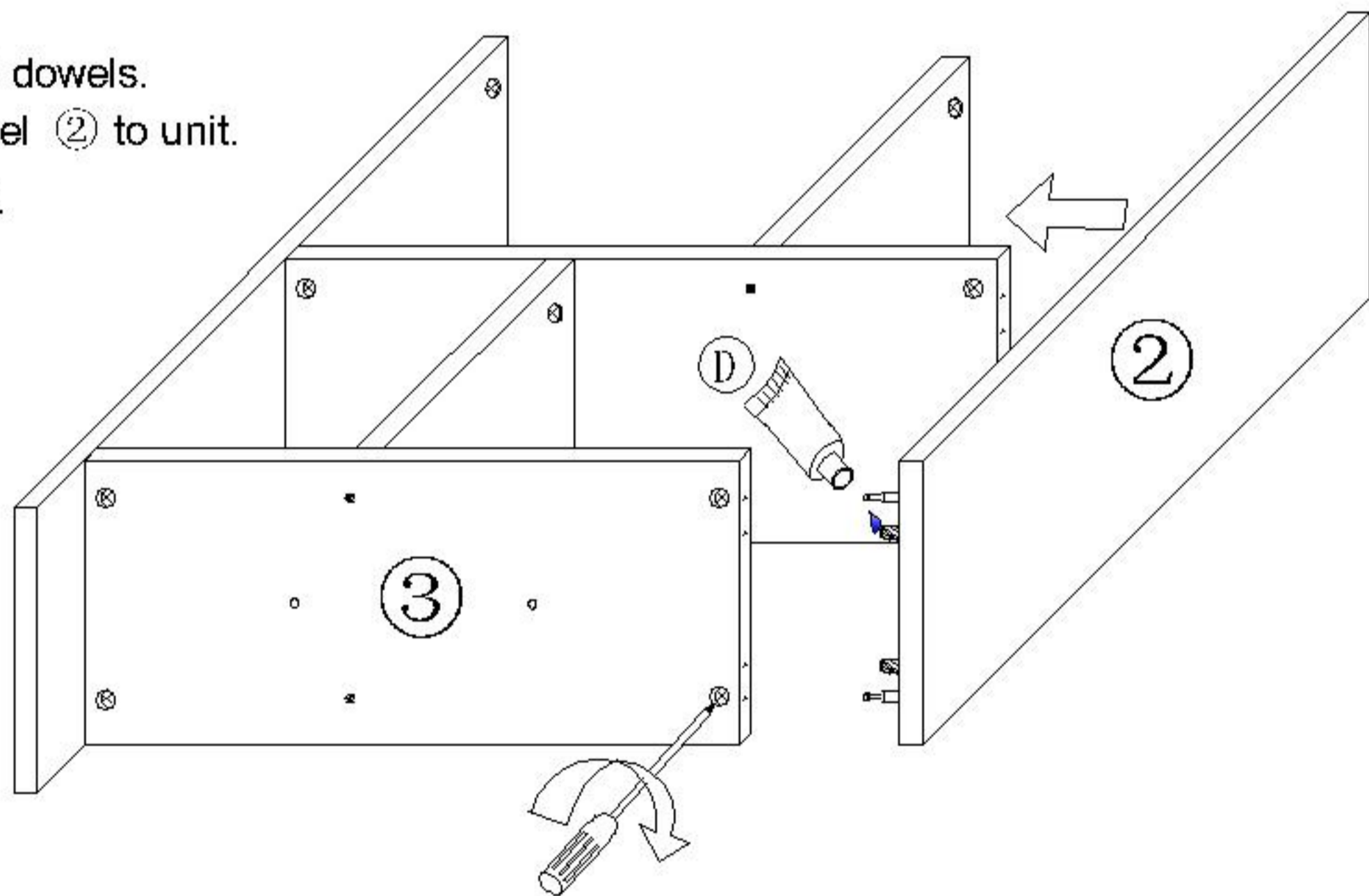
Attach the dowel hardware to side panel ②.
Apply glue to wood dowels.



* Refer to page 2 for dowel assembly

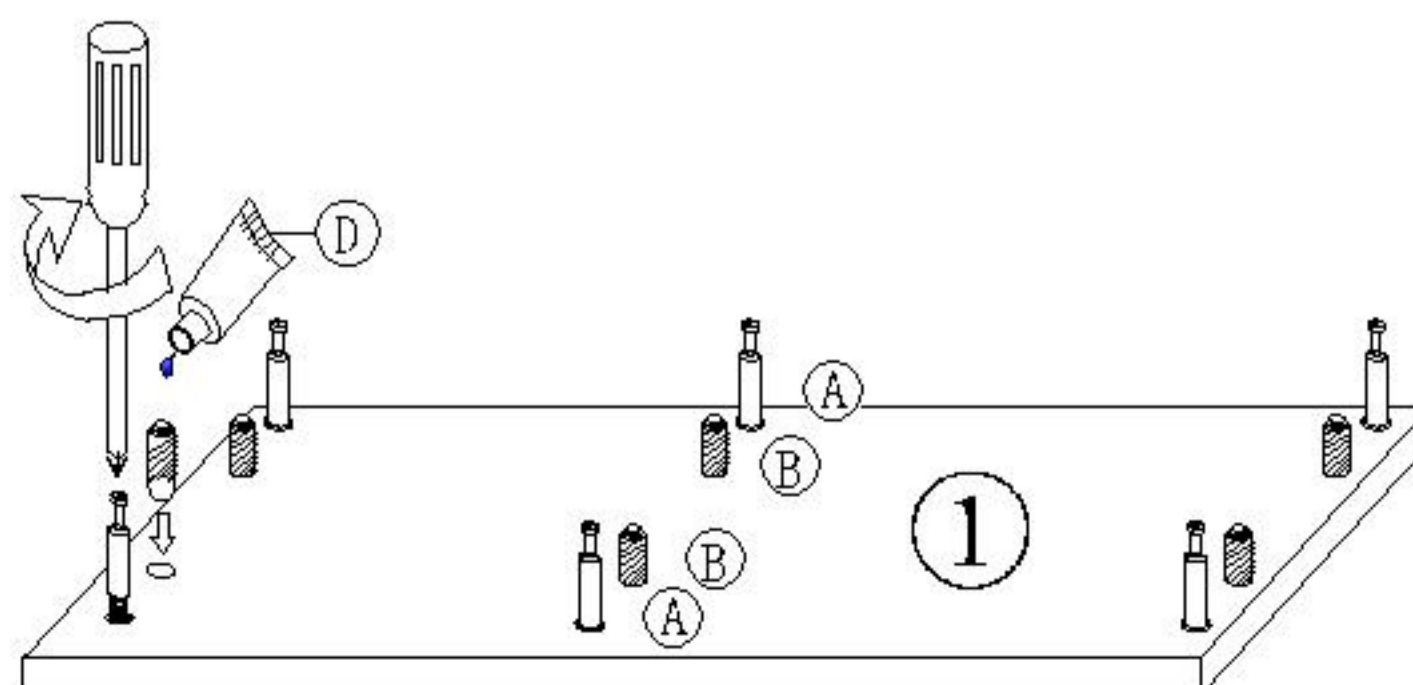
step8

Lightly glue wood dowels.
Connect side panel ② to unit.
Tighten camlocks.



step9

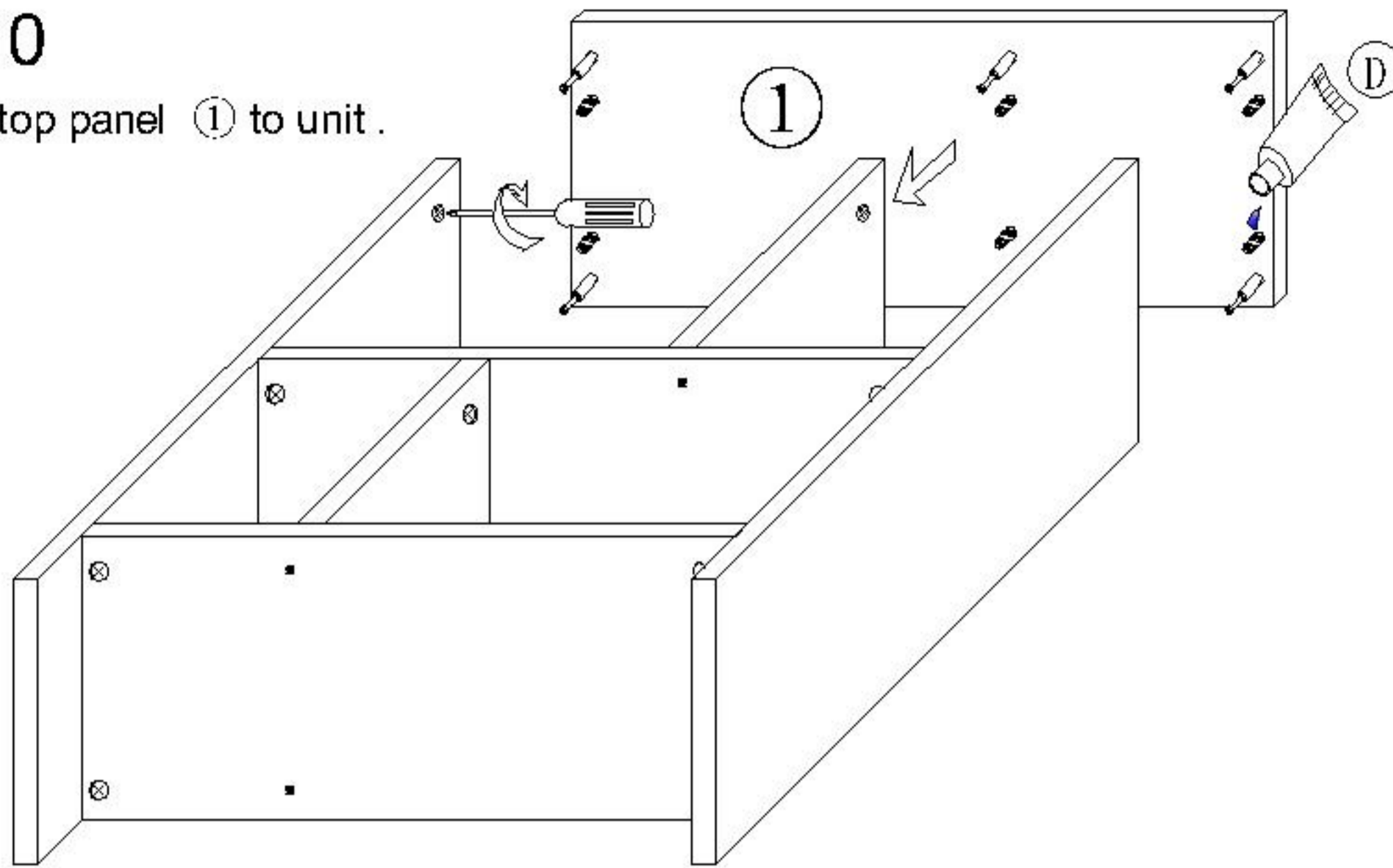
Attach dowel hardware to
top panel ①.
Apply glue to wood dowels.



* Refer to page 2 for dowel assembly

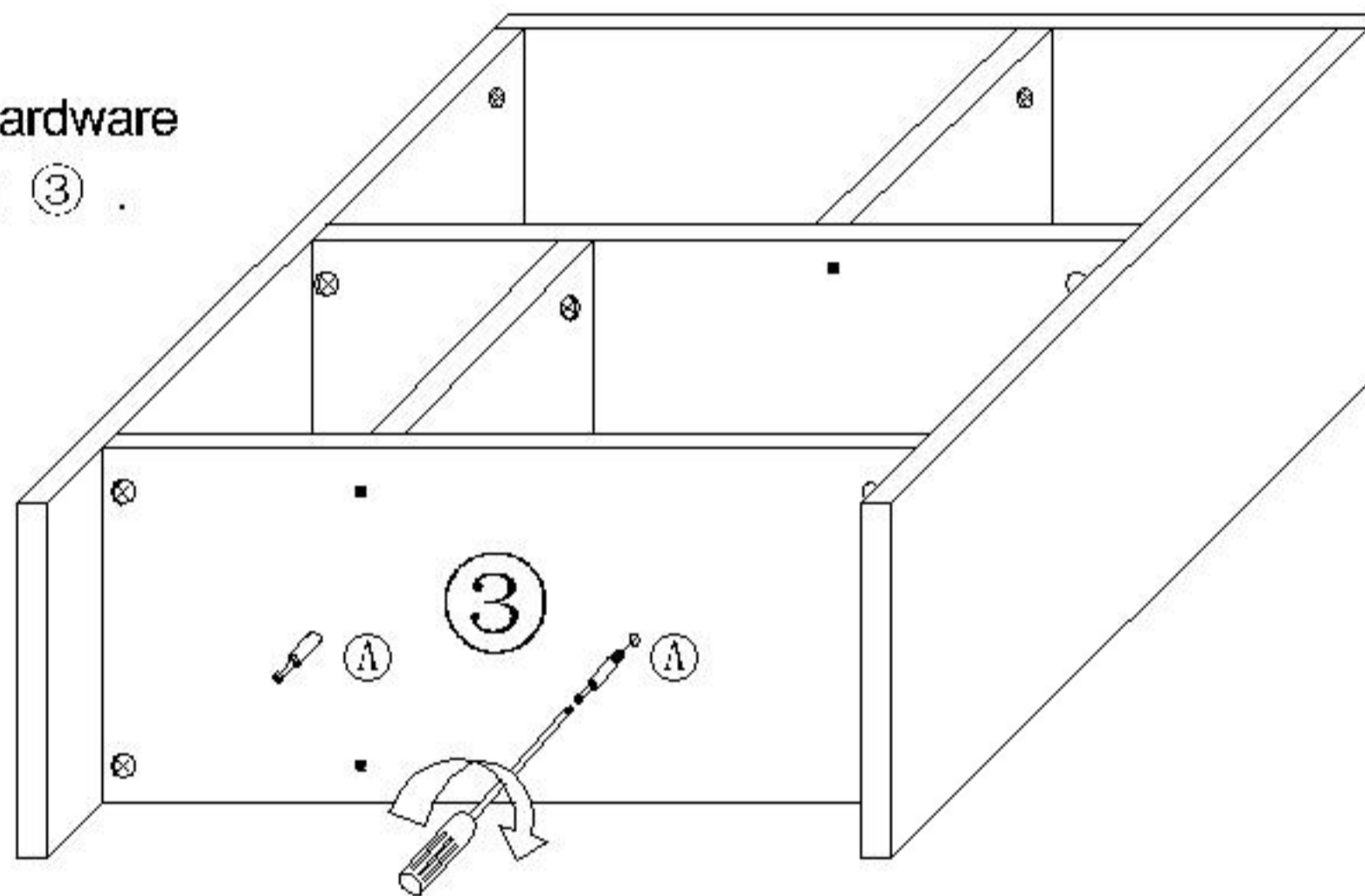
step10

Connect top panel ① to unit .



step11

Attach dowel hardware ③ to bottom panel ③ .



step12

Connect support panel ⑥ to bottom panel ③ .
Double check all camlocks are tight.

Put the plastic caps on the cam holes

