

Designs2Go™

Wall Unit Shelf

Style#131201



Assembly Instructions

We have designed our furniture with you, the customer in mind. Our clear, easy to follow, step by step instructions will guide you through the project from start to finish. Feel confident that this will be a fun and rewarding project. The final product will be a quality piece of furniture that will go together smoothly and give years of enjoyment.

No tools required.

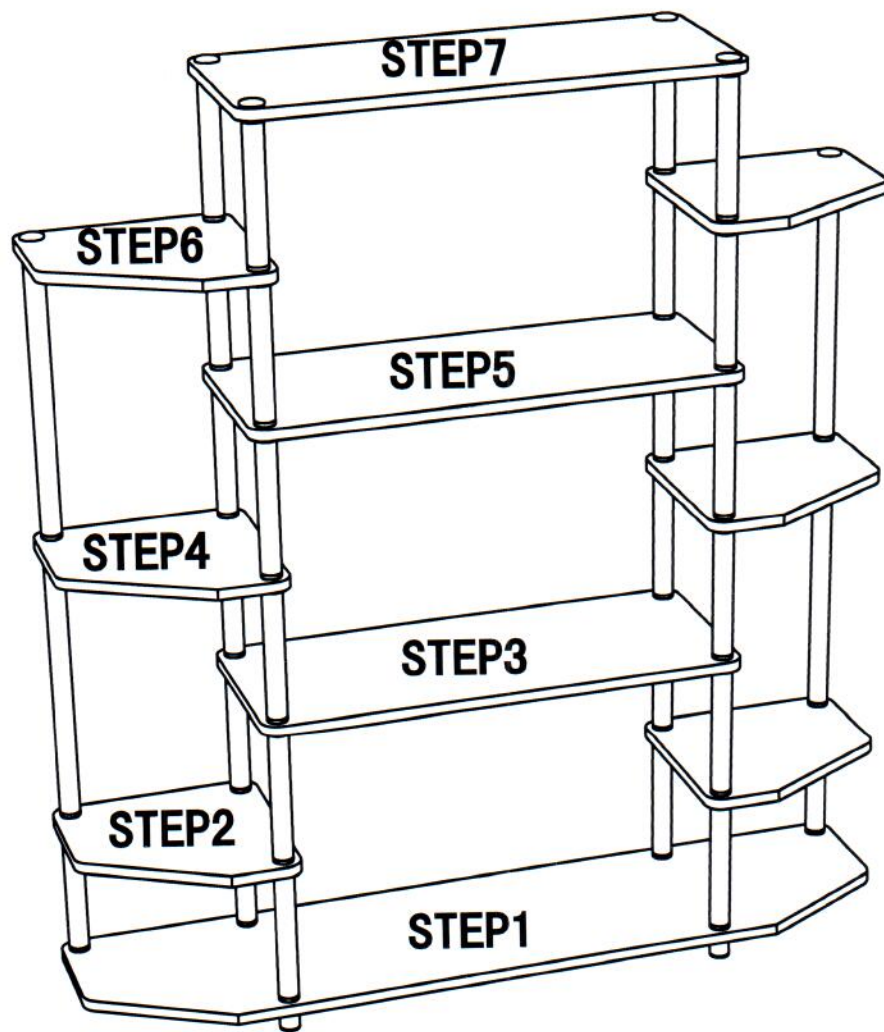


Please do not return to the store
· Broken or Missing Hardware?
· Need help with Assembly?

If you have any questions just call 1-800-468-6447 or email us at
parts@convenience-concepts.com

Item Identification

For ease of identification all parts are labeled to correspond to the Step number in which the part is used.



Hardware Identification

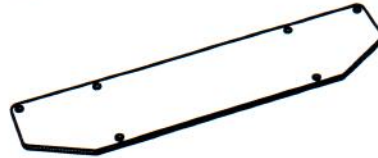
For ease of identification all hardware is organized into separate Hardware Packs for each Step in the Instruction Manual.

Hardware Pack

(A) End Caps x 6



(B) Large Shelf x 1



(C) Middle Shelves x 3



(D) Small Shelves x 6



(E) Long Metal Poles x 4



(F) Short Metal Poles x 26



(G) Plastic Feet x 6



(H) Cable Tie x 2

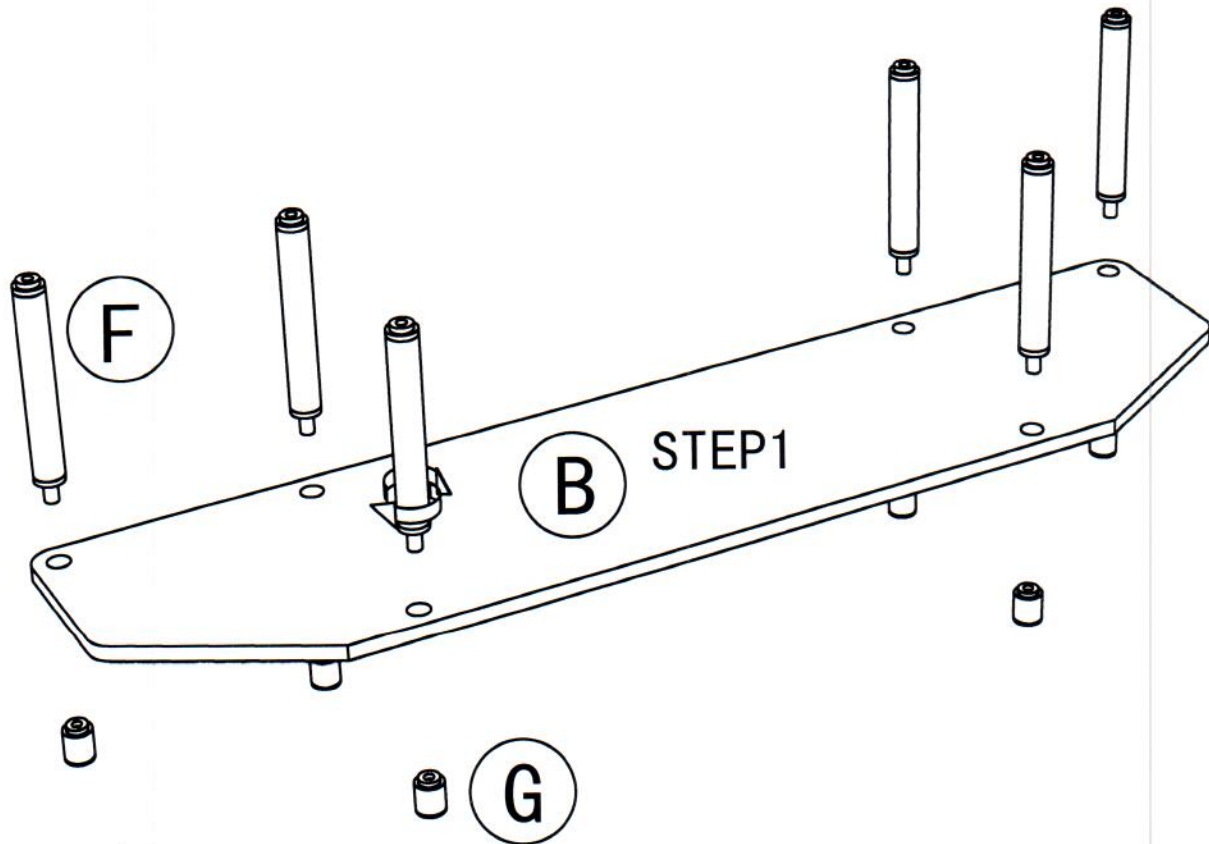


(I) Eyelet Screw x 2



STEP #1
SHELF ASSEMBLY
Shelf 1

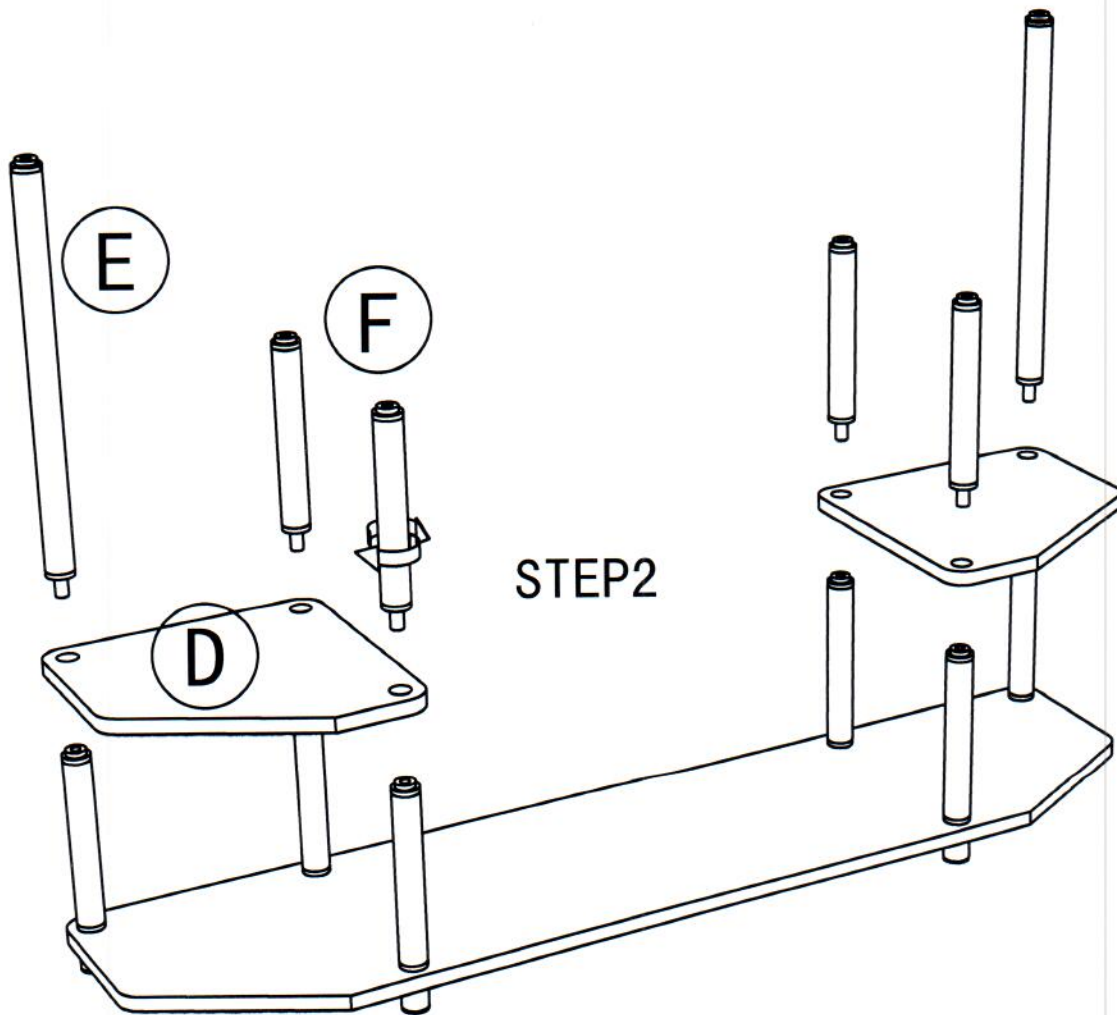
Hardware Pack 1



- (1) Place Shelf(B) over Plastic Feet(G).
- (2) Gently screw 6 Short Poles(F) into Feet(G) using care not to over tighten.

STEP #2
SHELF ASSEMBLY
Shelf 2

Hardware Pack 1

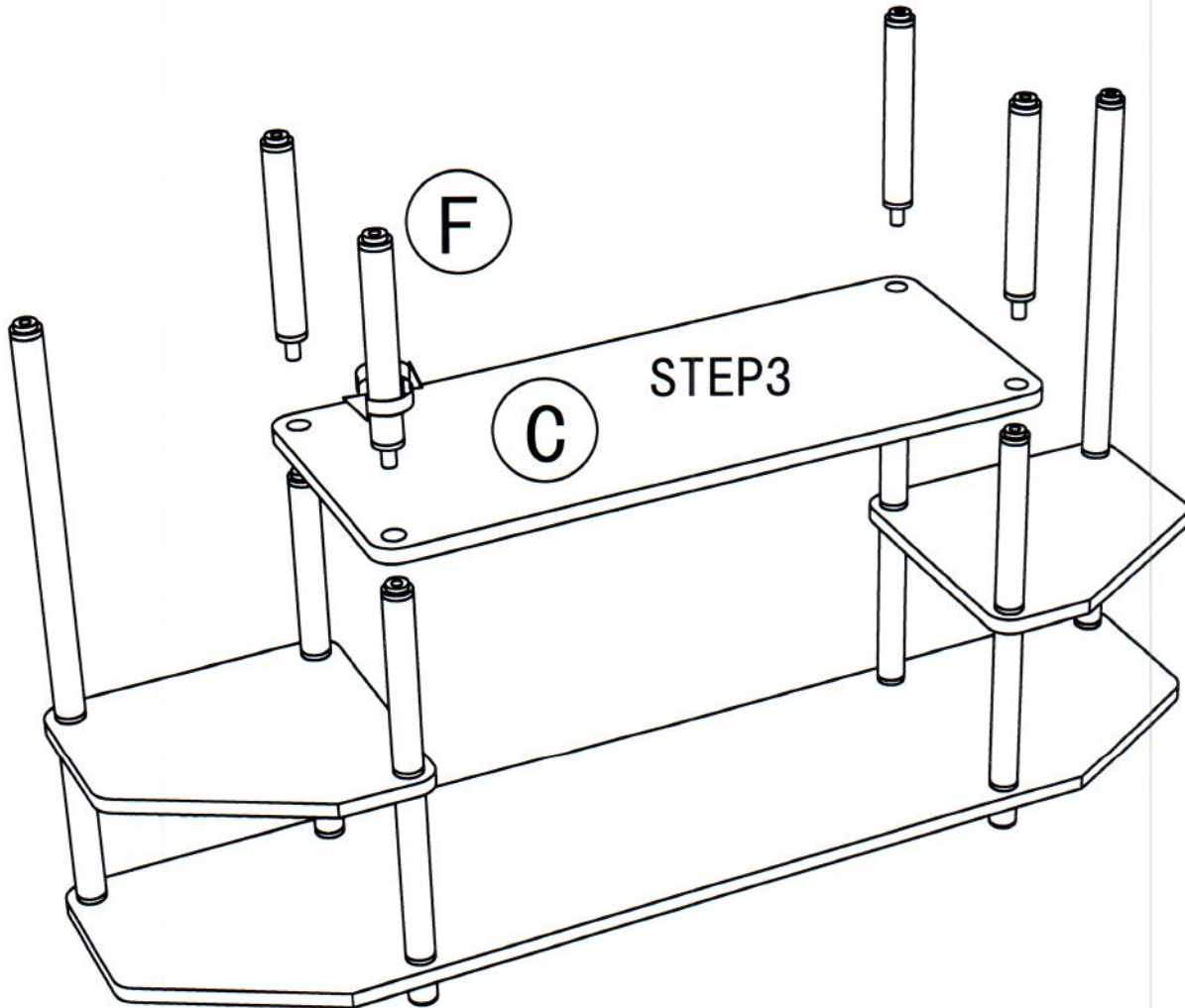


(1) Place Small Shelves (D) over Short Poles (F).

(2) Gently screw 2 Long Poles (E) and 4 Short Poles (F) into unit.

STEP #3
SHELF ASSEMBLY
Shelf 3

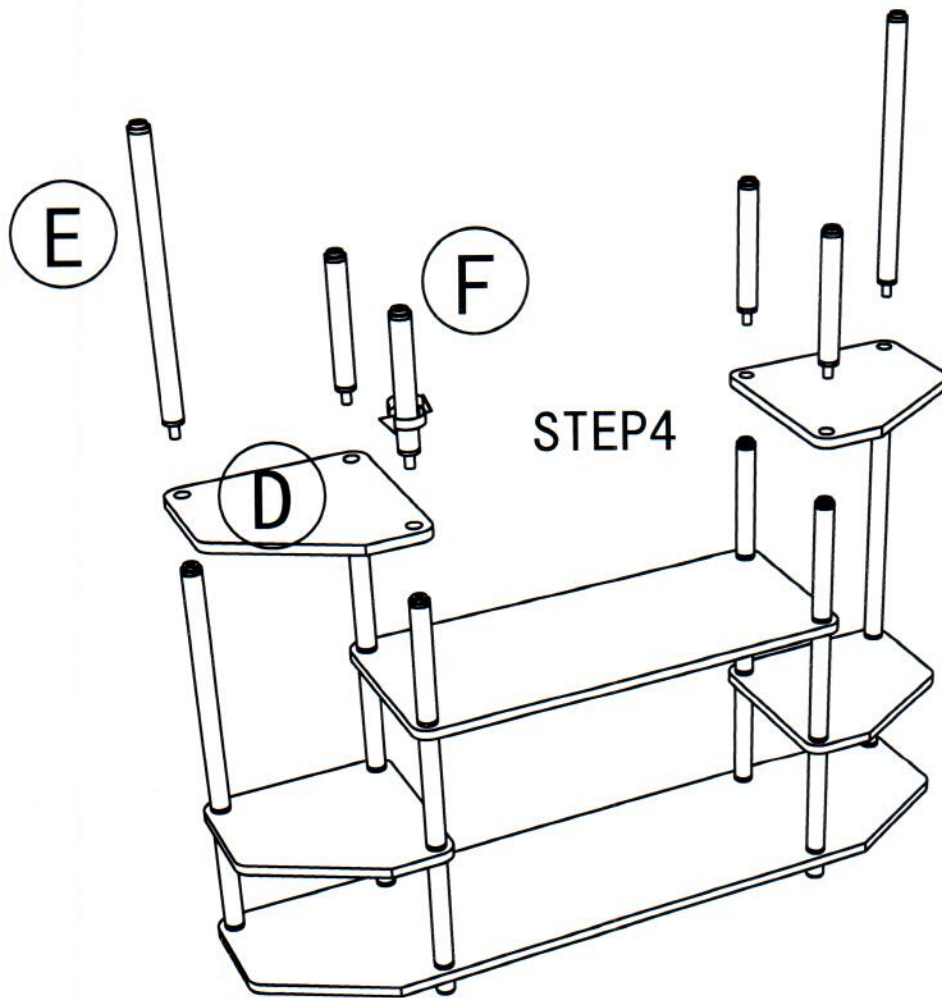
Hardware Pack 1



- (1) Place Middle Shelf (C) onto existing poles.
- (2) Gently screw 4 Short Poles (F) into unit.

STEP #4
SHELF ASSEMBLY
Shelf 4

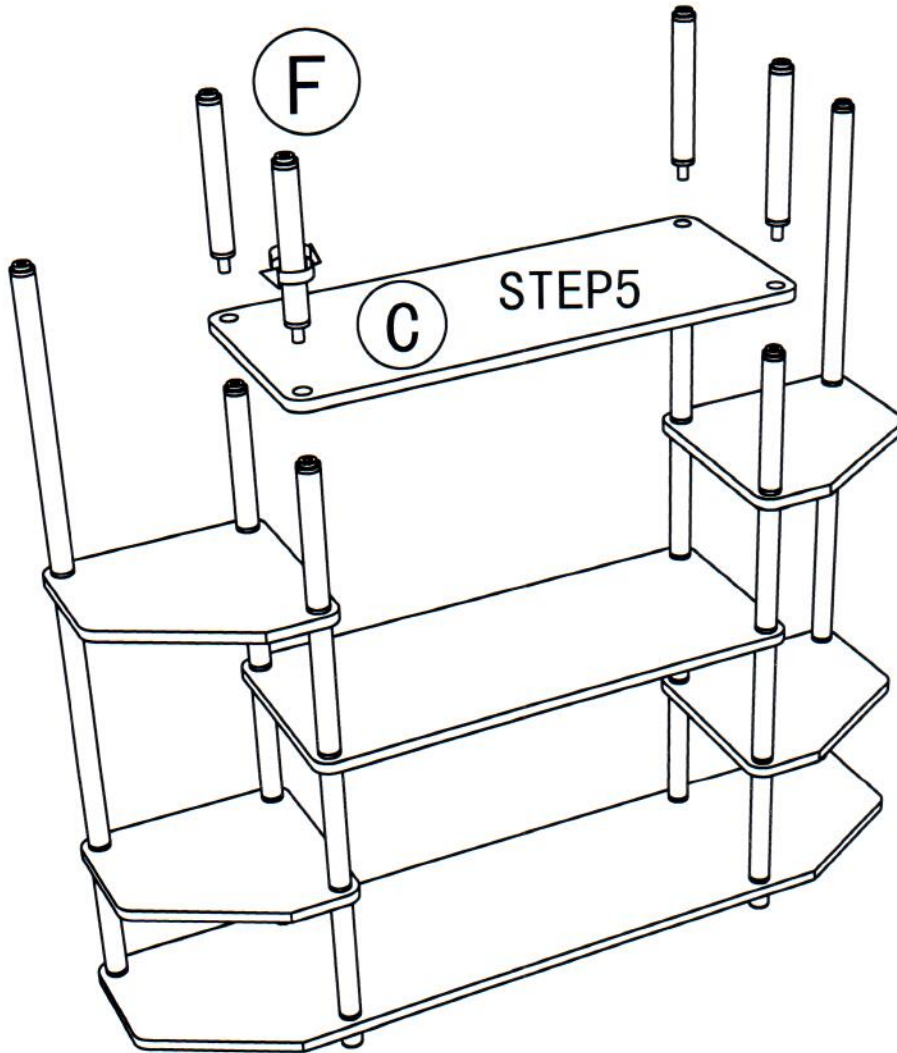
Hardware Pack 1



- (1) Place 2 Small Shelves (D) onto existing poles.
- (2) Gently screw 4 Short Poles (F) and 2 Long Poles (E) into unit.

STEP #5
SHELF ASSEMBLY
Shelf 5

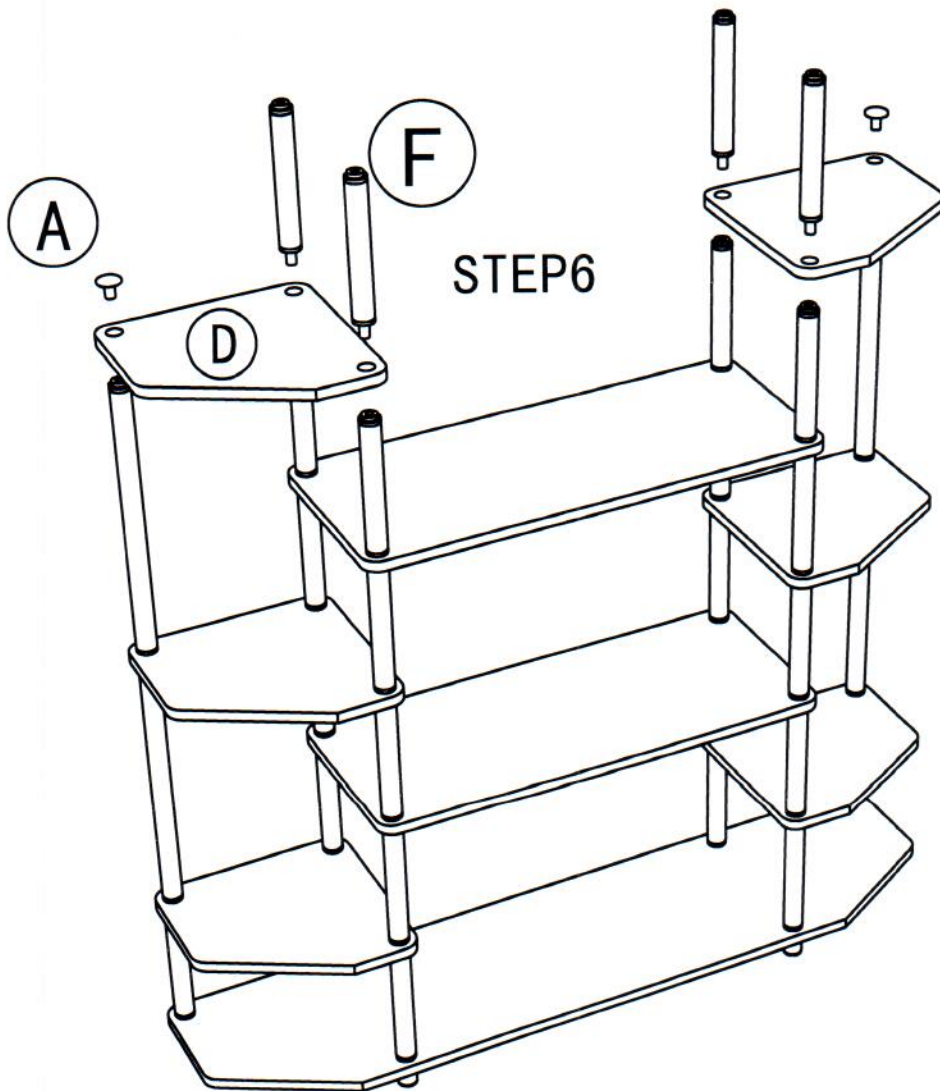
Hardware Pack 1



- (1) Place Middle Shelf (C) onto existing poles.
- (2) Gently screw 4 Short Poles (F) into unit.

STEP #6
SHELF ASSEMBLY
Shelf 6

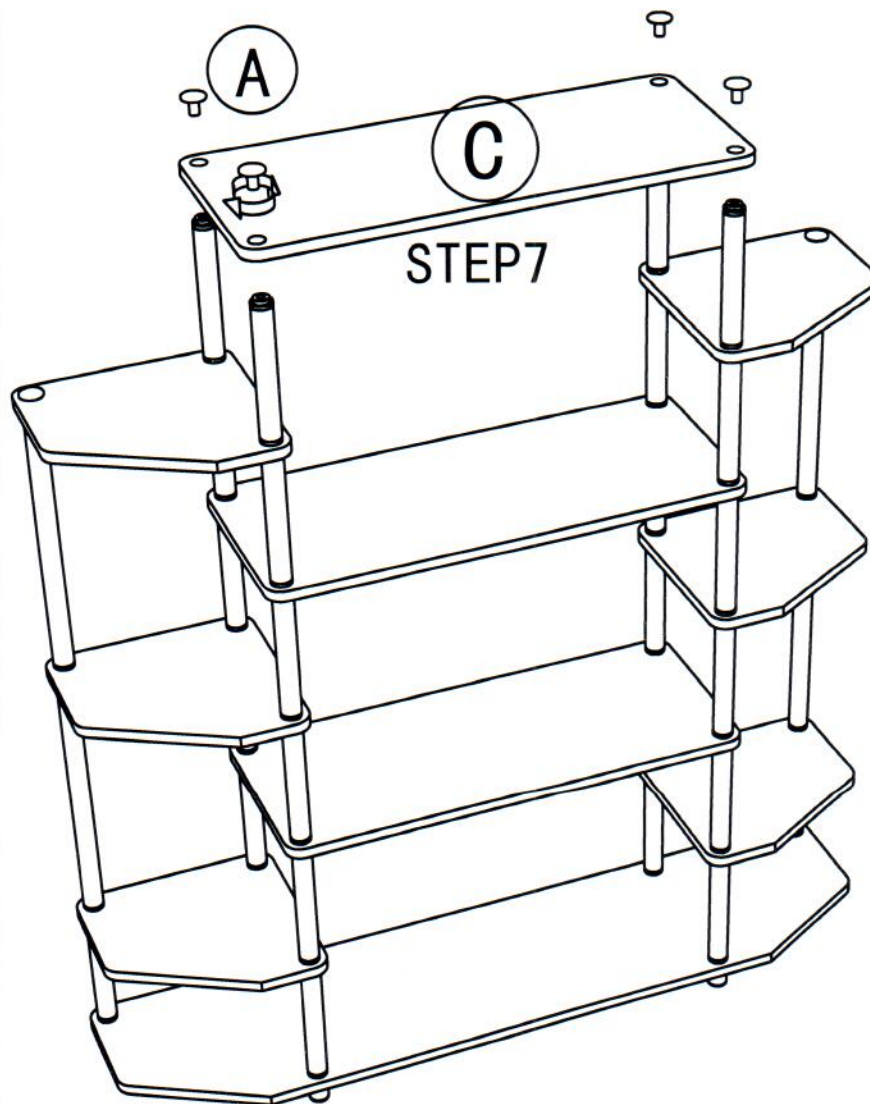
Hardware Pack 1



- (1) Place 2 Small Shelves (D) onto existing poles.
- (2) Gently screw 4 Short Poles (F) and 2 End Caps (A) into unit.

STEP #7
SHELF ASSEMBLY
Shelf 7

Hardware Pack 1



- (1) Place Middle Shelf (C) onto existing poles.
- (2) Attach End Caps (A) to unit by turning in a clockwise direction.