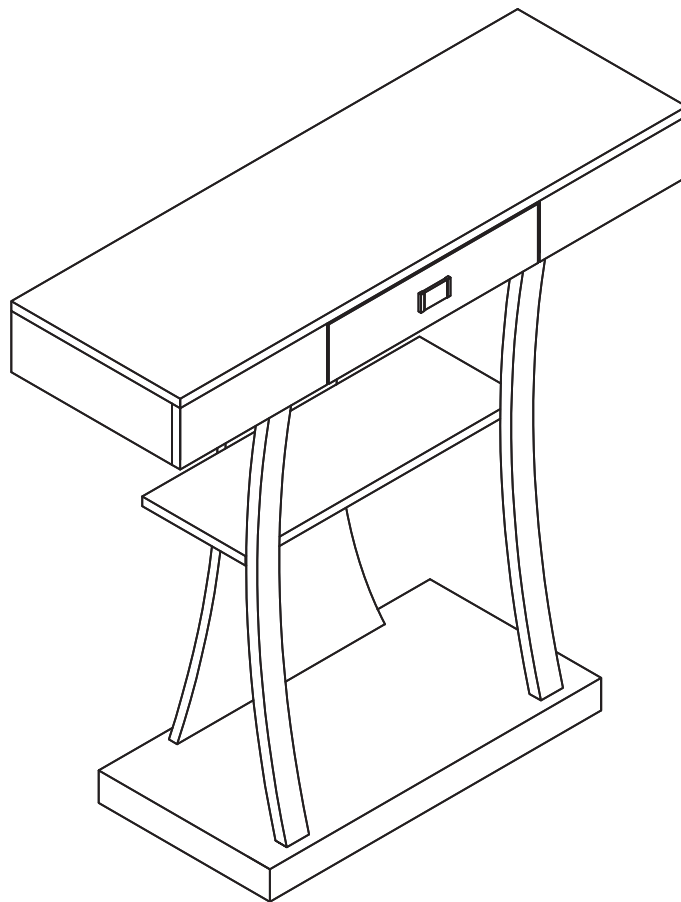


CONVENIENCE CONCEPTS

HARRI CONSOLE TABLE

111960



ASSEMBLY INSTRUCTIONS

We have designed our furniture with you , the customer in mind . Our clear , easy to follow , step by step instructions will guide you through the project from start to finish . Feel confident that this will be a fun and rewarding project . The final product will be a quality piece of furniture that will go together smoothly and give years of enjoyment .



Please do not return to the store


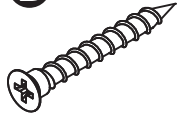



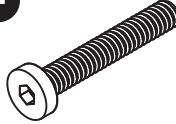
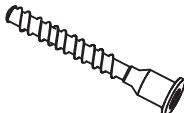
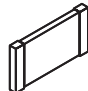




Broken or missing parts?

Need help with assembly?

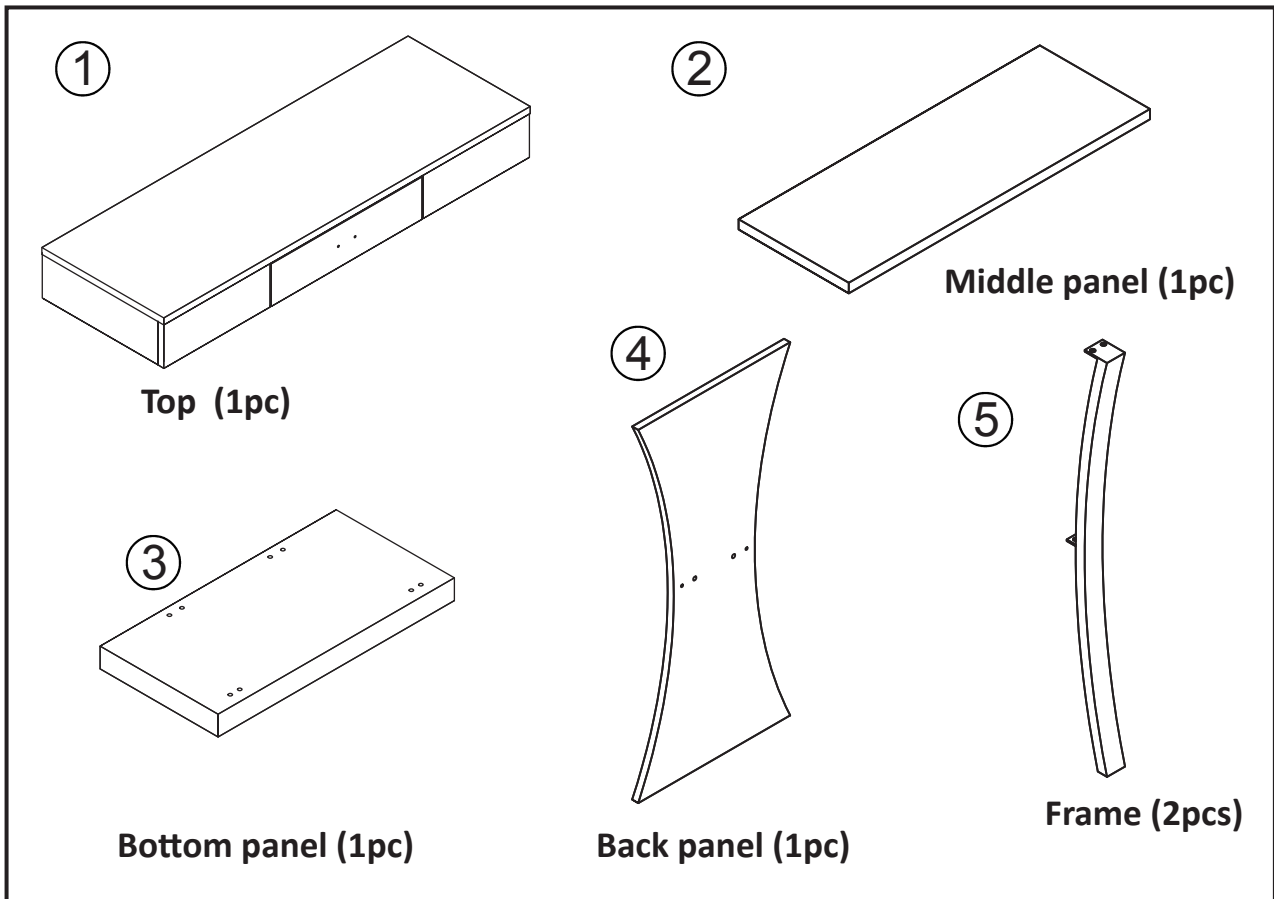
If you have any questions just call 1-800-468-6447 or email us at parts@convenience-concepts.com

* Special note : we recommend the use of a hand held screw driver to avoid the stripping of screw heads.*

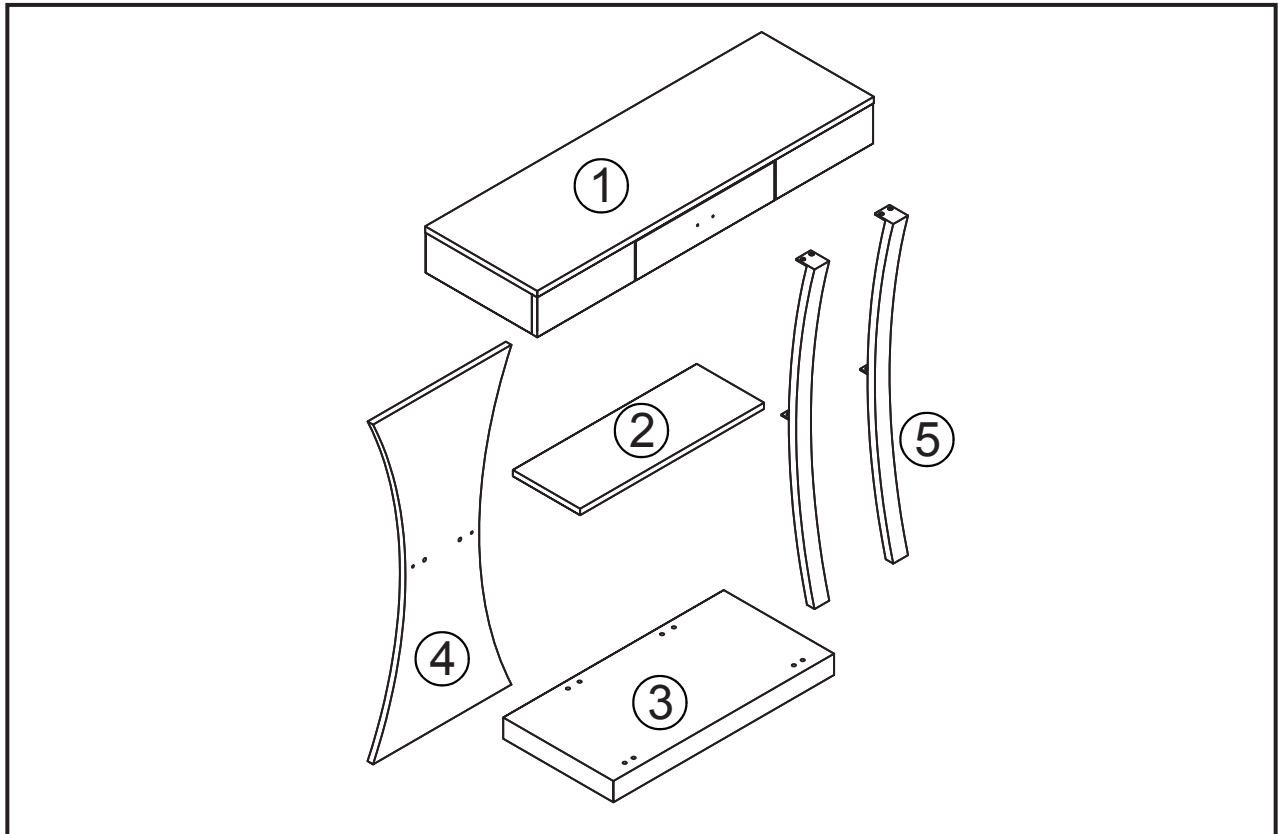
Hardware List

			
<p>A Short flat screw (3 pcs)</p>	<p>B Long flat screw (3 pcs)</p>	<p>C Wood dowel (4 pcs)</p>	<p>D Short allen screw (6 pcs)</p>
			
<p>E Medium allen screw (2 pcs)</p>	<p>F Long allen screw (4 pcs)</p>	<p>G Large Screw (2 pcs)</p>	<p>H Handle (1 pc)</p>
			
<p>I Allen wrench (1pc)</p>	<p>J Flat washer (1pc)</p>	<p>K Safety wall strap (1pc)</p>	<p>L Wall anchor (1pc)</p>

Panel List

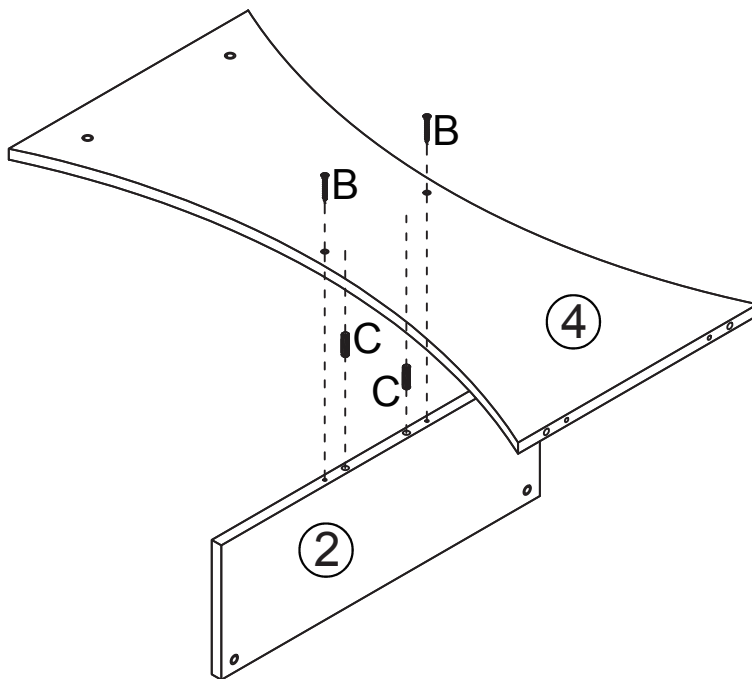


Exploded Views



Step 1

1. Insert wood dowel (C) into back panel (4).
2. Connect middle panel (2) to back panel (4) using long flat screws (B).



B

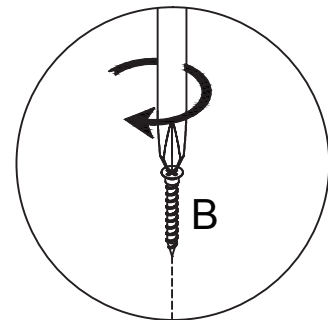


x2

C

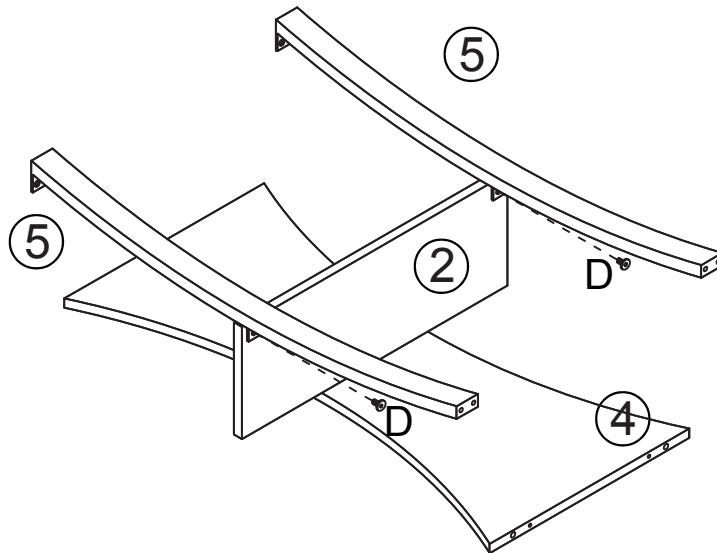


x2



Step 2

1. Connect frames (5) to assembly using short allen screws (D) and allen wrench (I) .



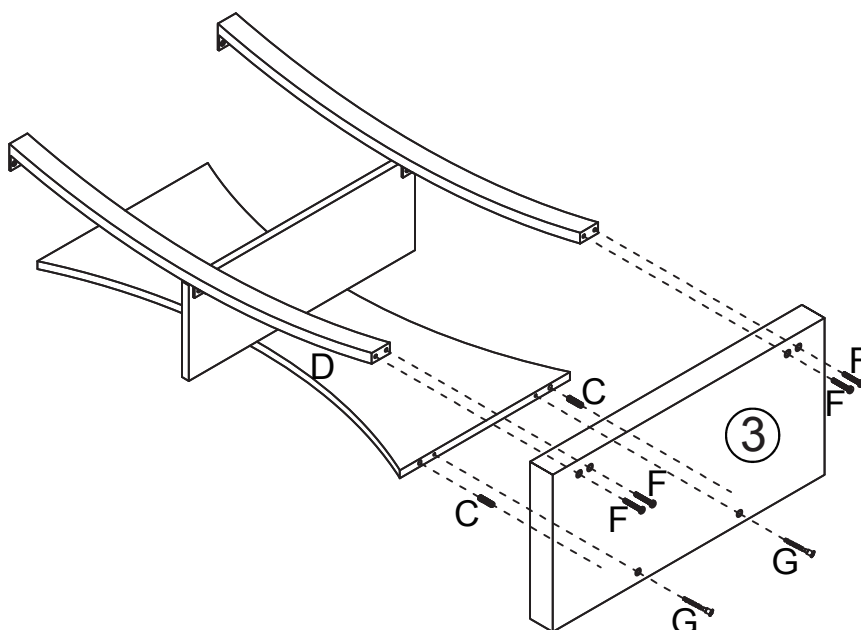
x2



x1

Step 3

1. Insert wood dowel (C) into bottom panel (3) .
2. Connect bottom panel (3) to assembly using long allen screws (F), allen wrench (I) and large screws (G) .



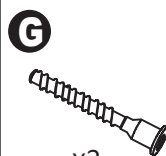
x2



x4



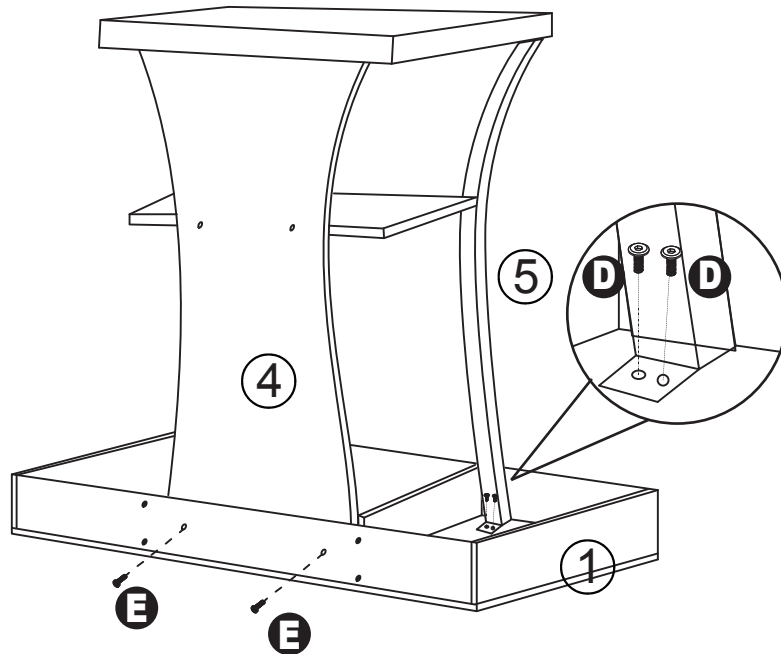
x1



x2

Step 4

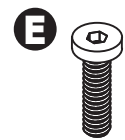
1. Place top ① upside down on carpet or other soft surface .
2. Connect top ① to assembly using short allen screws (D) , medium allen screws (E) and allen wrench (I) .



x4



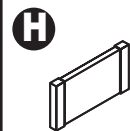
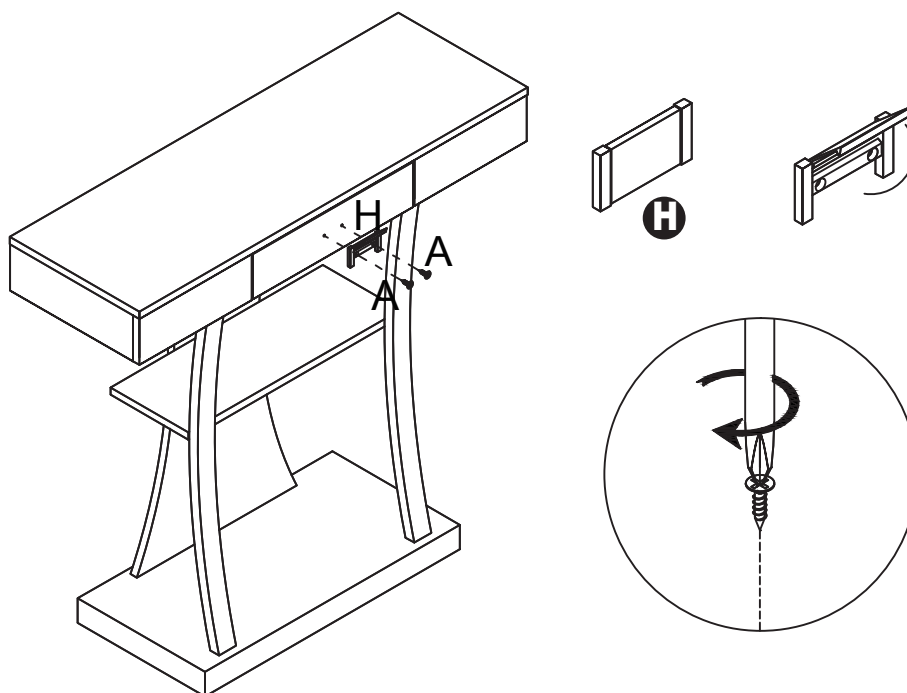
x1



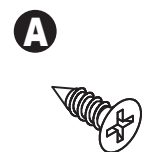
x2

Step 5

1. Attach handle (H) to drawer as shown using short flat screws (A).



x1



x2

Step 6

1. Connect the safety wall strap (K) to unit as shown using short flat screw (A).
2. Drill hole slightly smaller than plastic anchor (L) into drywall and gently tap plastic anchor into hole.
3. Connect safety wall strap (K) to plastic anchor (L) as shown using long flat screw (B) and flat washer (J) .

