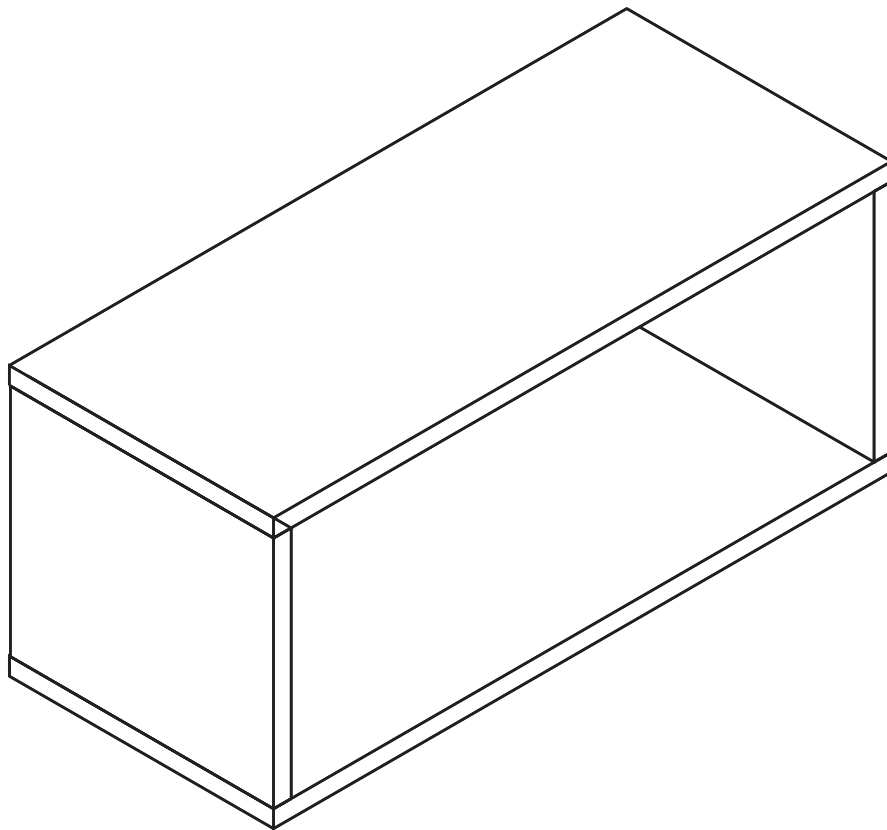


CONVENIENCE CONCEPTS

ADMIRAL COFFEE TABLE

111288



ASSEMBLY INSTRUCTIONS

We have designed our furniture with you , the customer in mind . Our clear , easy to follow , step by step instructions will guide you through the project from start to finish . Feel confident that this will be a fun and rewarding project . The final product will be a quality piece of furniture that will go together smoothly and give years of enjoyment .



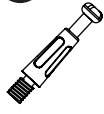

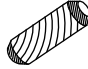

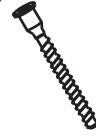


Please do not return to the store
Broken or missing parts?
Need help with assembly?

Our Illinois based customer service team is ready to help with any problems or questions you may have. Please give us a call (Toll Free) at 1-800-468-6447, or email us at parts@convenience-concepts.com.
Normal hours of Operation: M-F* 8am-4pm CST.

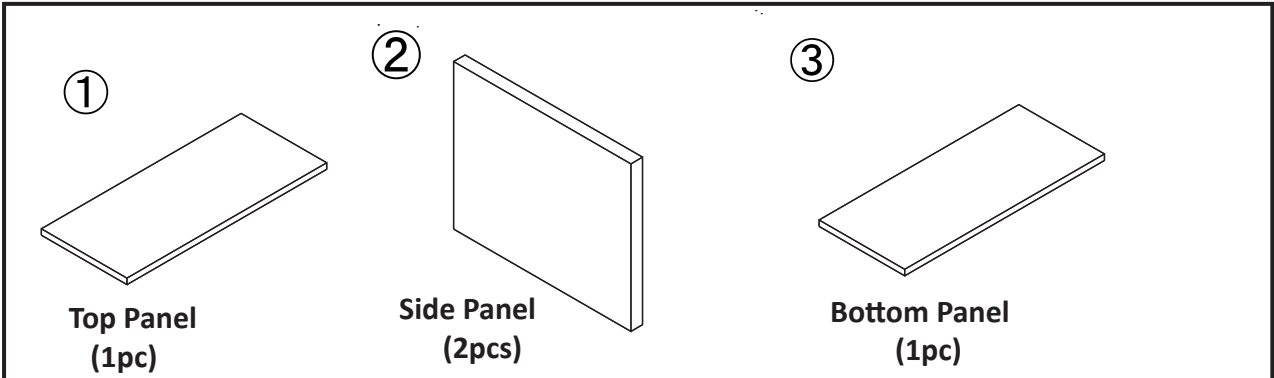
*Excludes Holidays

This product's warranty is only valid through authorized dealers.

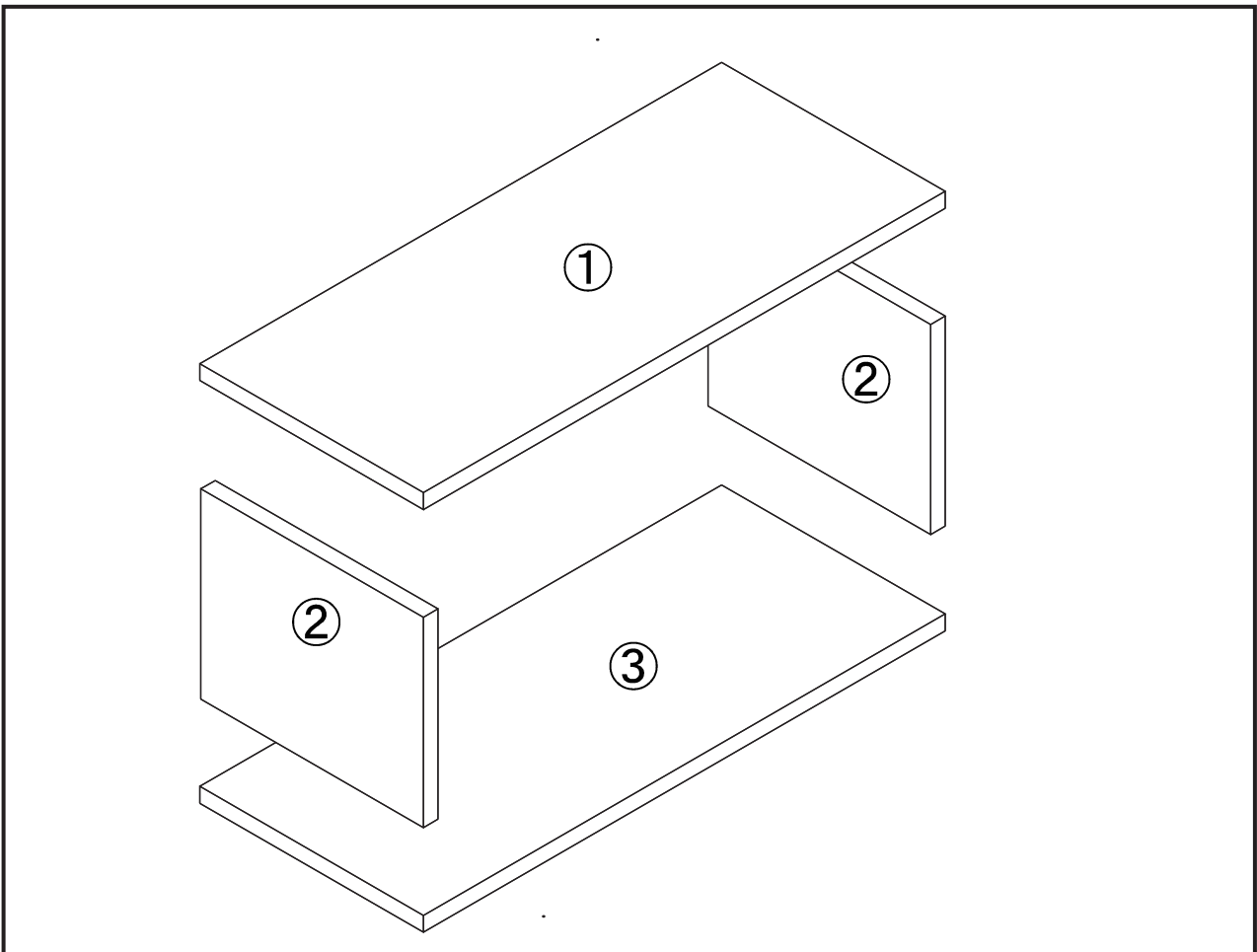
Hardware List

A 	B 	C 	D 	E 	F 	G 
Cambolt (4pcs)	Camlock (4pcs)	Wood dowel (8pcs)	Sticker (8pcs)	Large Screw (4pcs)	Allen Wrench (1pc)	Glue (1pc)

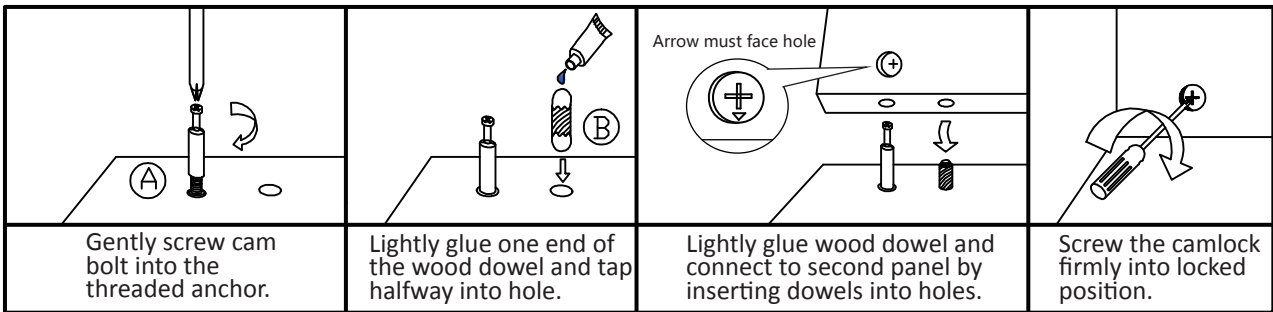
Panel List



Exploded Views

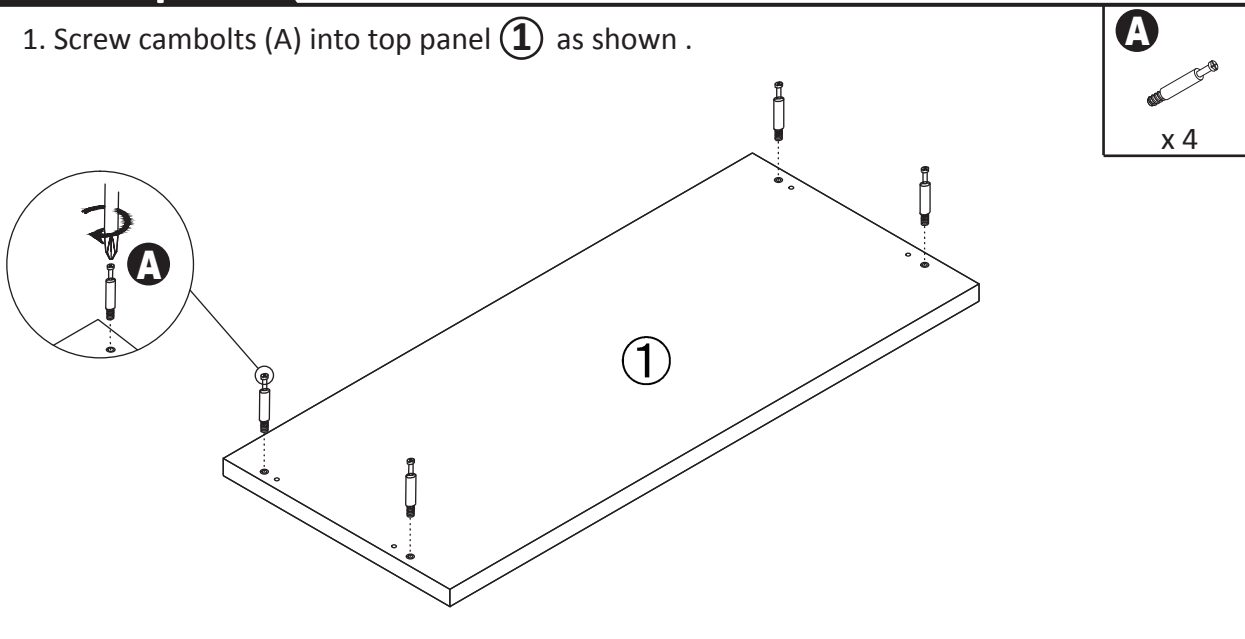


Assembling the unit with camlocks and wood dowels.



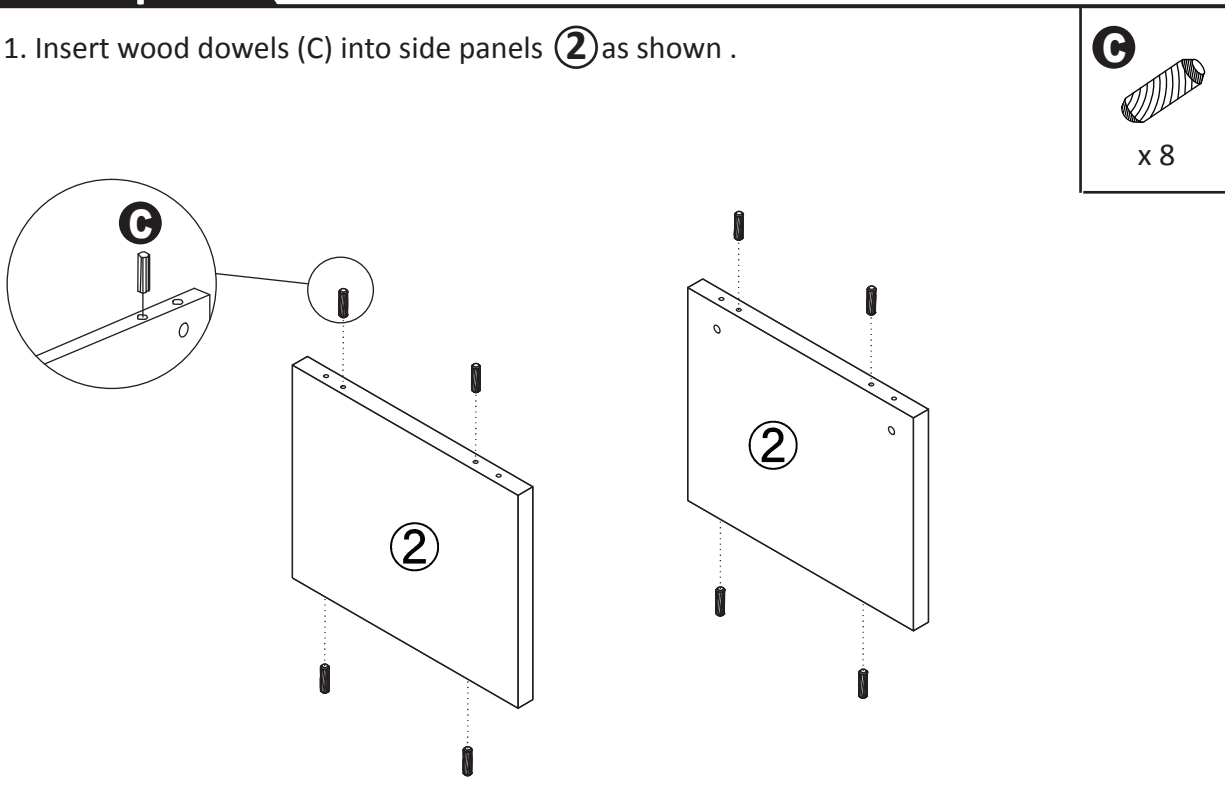
Step 1

1. Screw cambolts (A) into top panel (1) as shown .



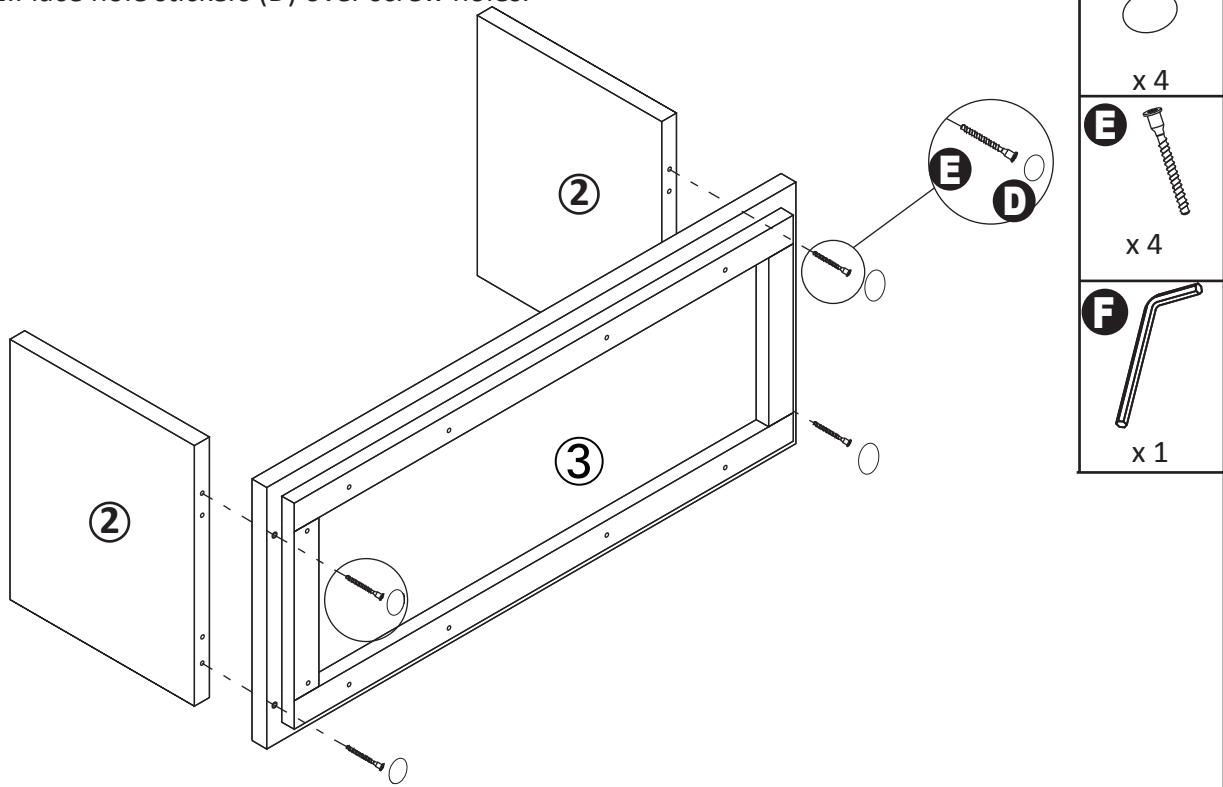
Step 2

1. Insert wood dowels (C) into side panels (2) as shown .



Step 3

1. Attach side panels (2) to bottom panel (3) as shown using large screws (E).
2. Place hole stickers (D) over screw holes.



Step 4

1. Attach top panel (1) to assembly as shown using camlocks (B), gently tighten camlocks.
2. Place hole stickers (D) over screw holes.
3. Enjoy

